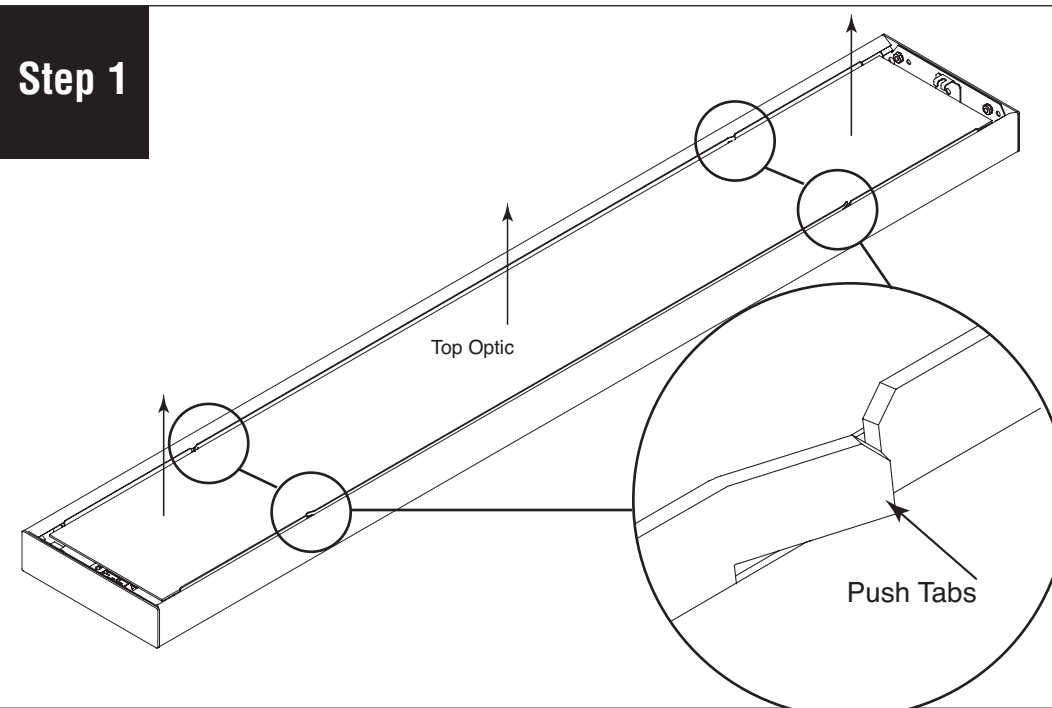
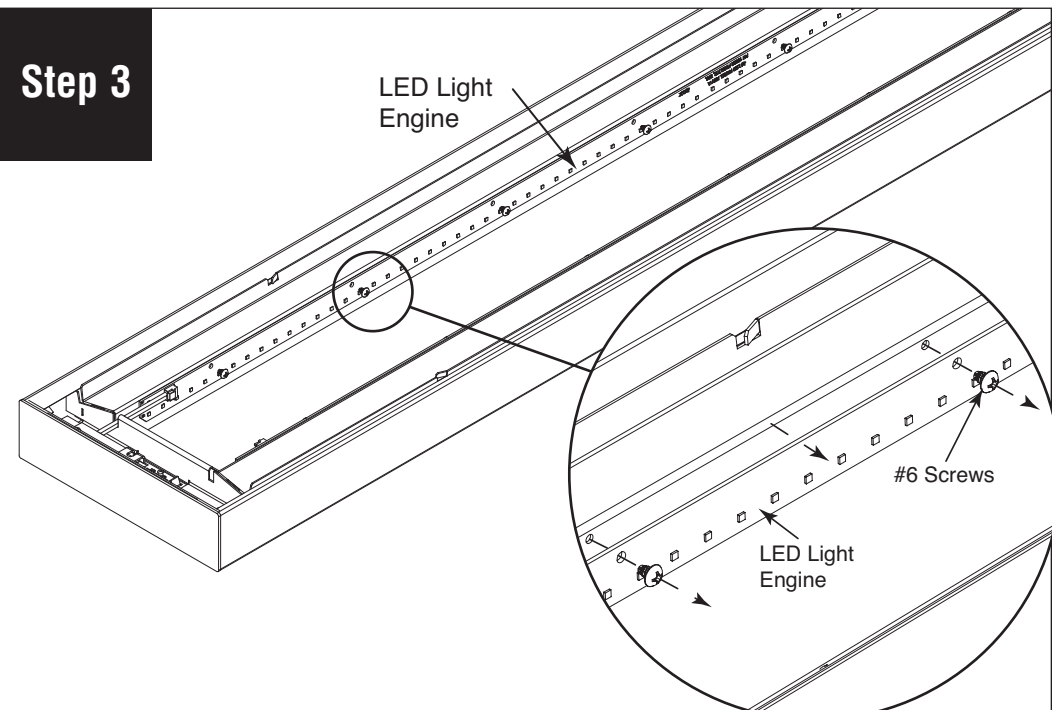


Step 1



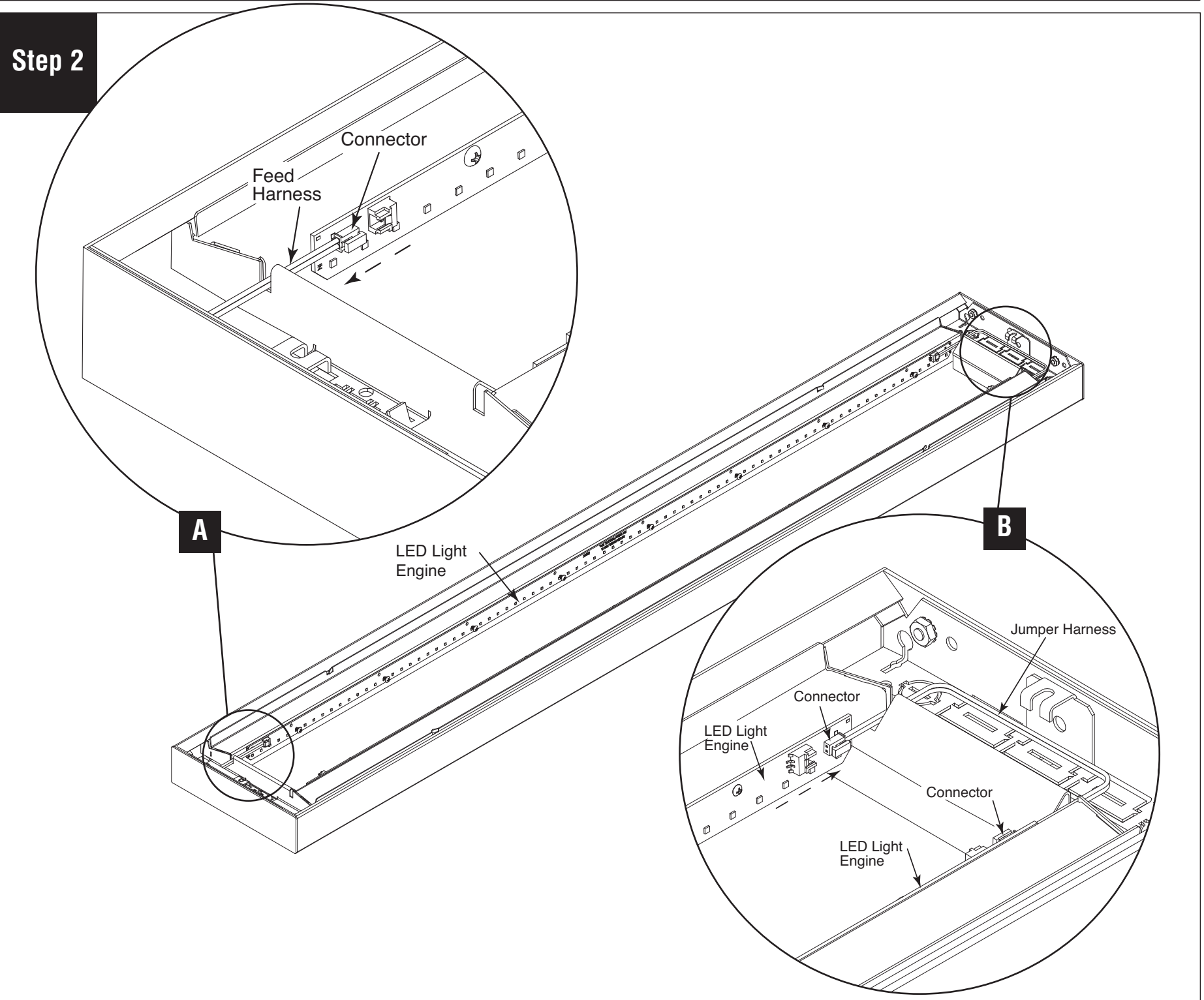
Remove top optic by pushing in the tabs. If top optic is not used, go to step 2.

Step 3



Remove (8) #6 screws that holding the LED light engine to the reflector and remove light engines on both sides. Reverse steps to install the new LED light engine.

Step 2



A. Unlock connector from LED light engine then remove feed harness.
B. Unlock connectors from both LED light engine then remove jumper harness.