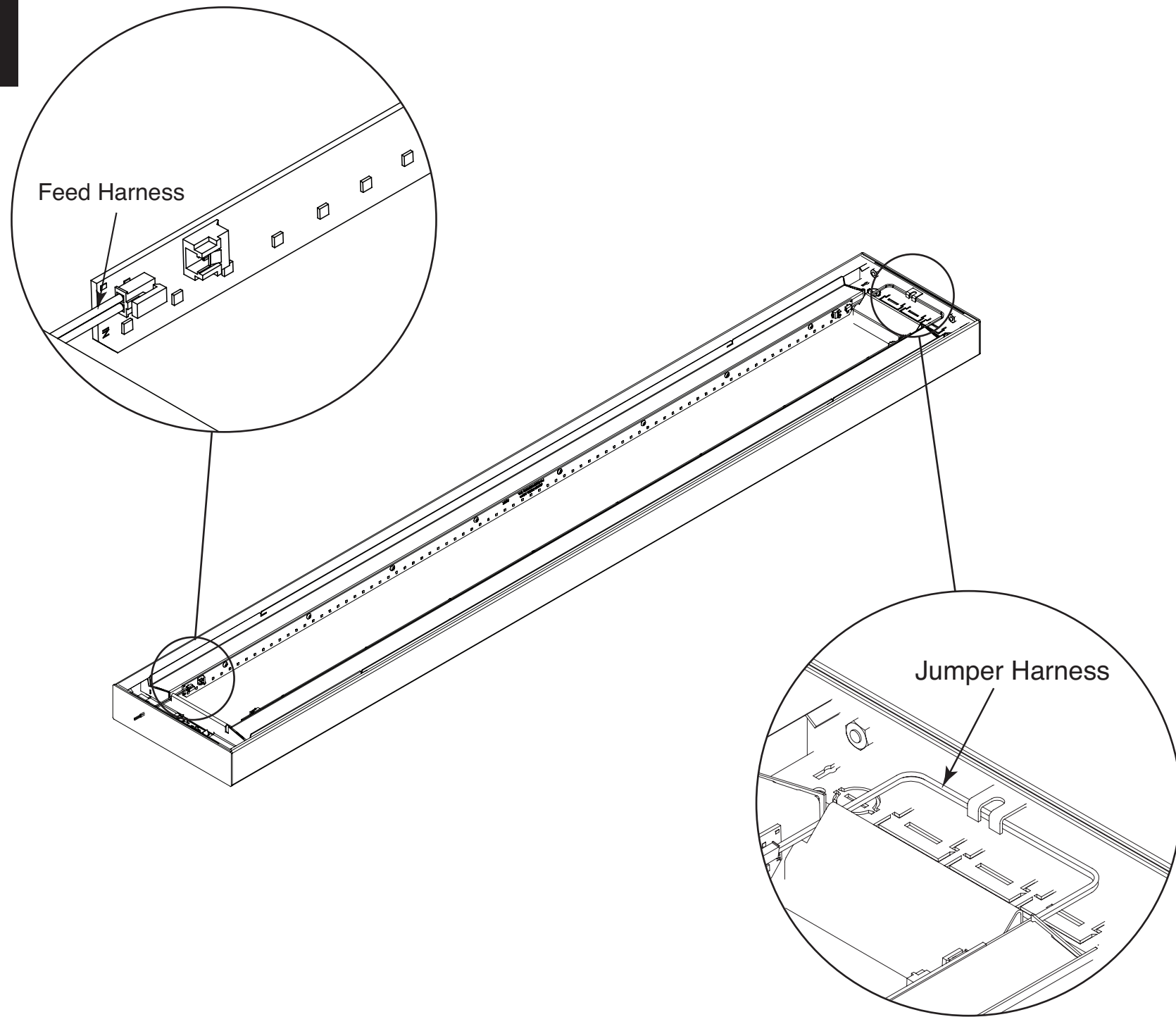
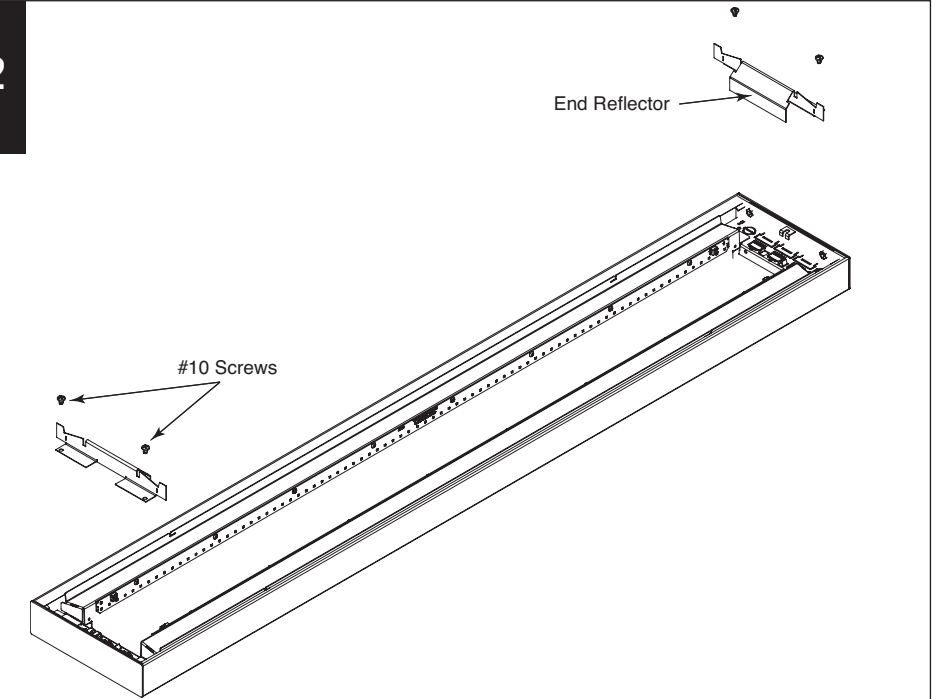


Step 1



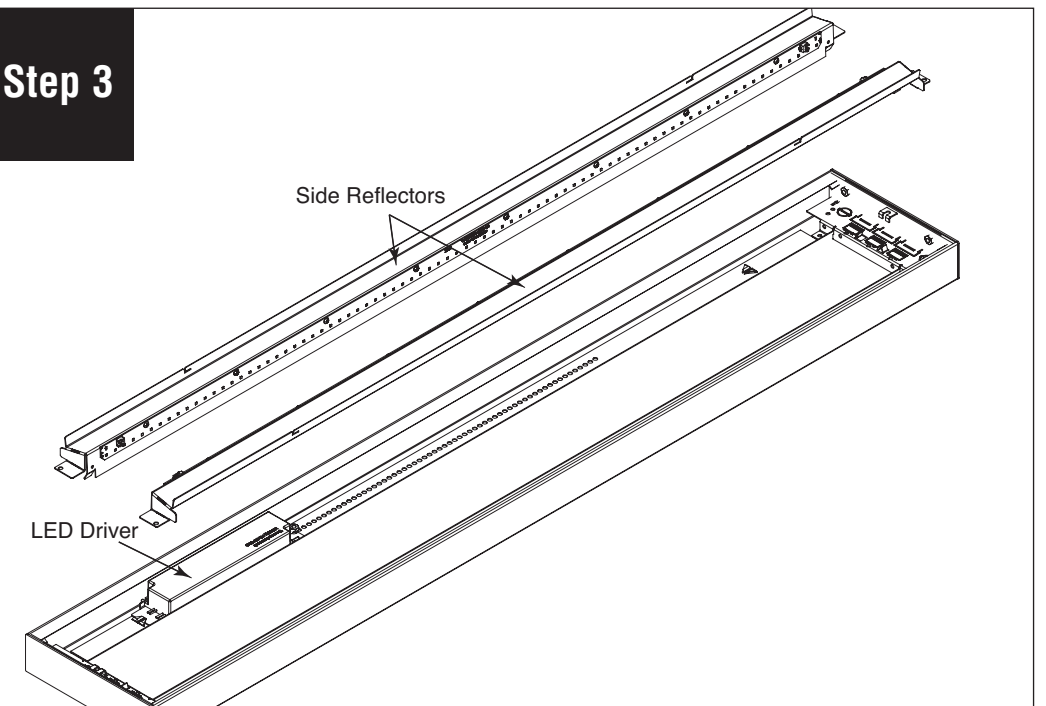
Disconnect feed harness and jumper harness.

Step 2



Remove #10 screws (4) on both ends of reflectors, then remove end reflectors.

Step 3



Remove side reflectors assemblies to access LED driver(s). Remove 2 #10 screws that secure the LED driver(s) and replace with new driver(s). Reverse steps to reassemble fixture.