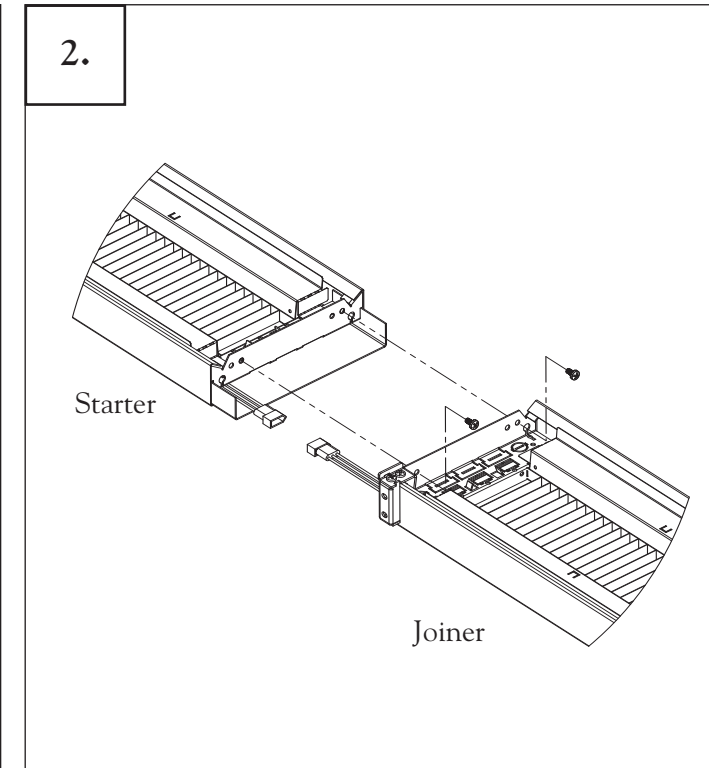
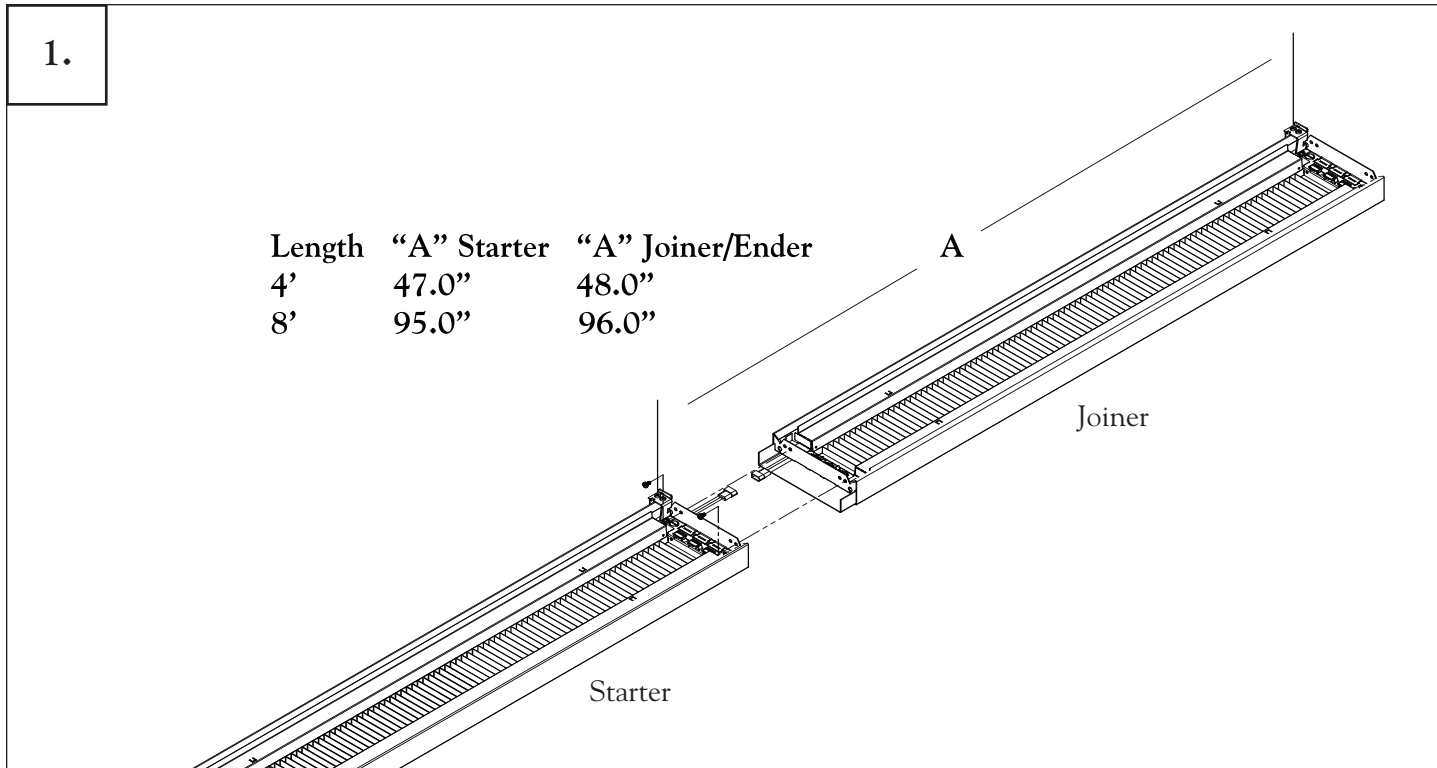


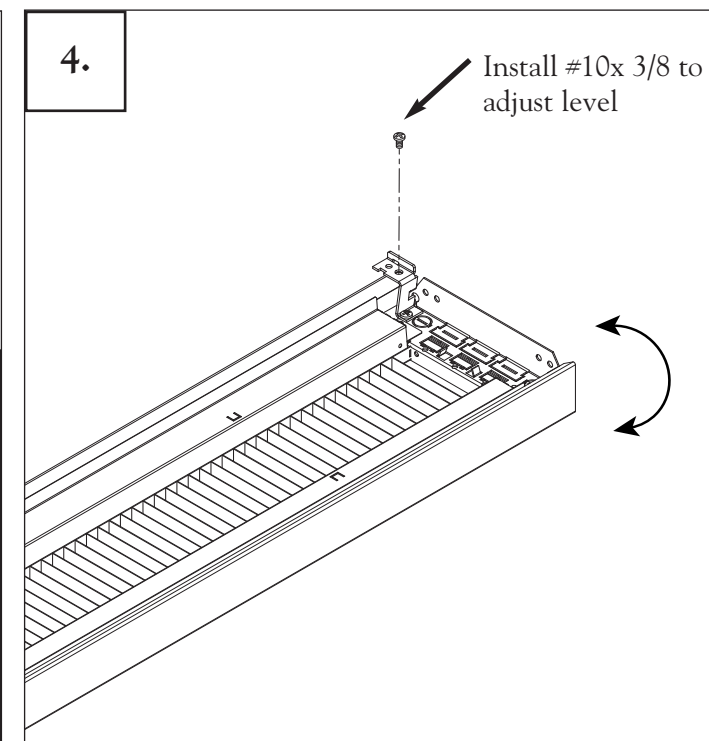
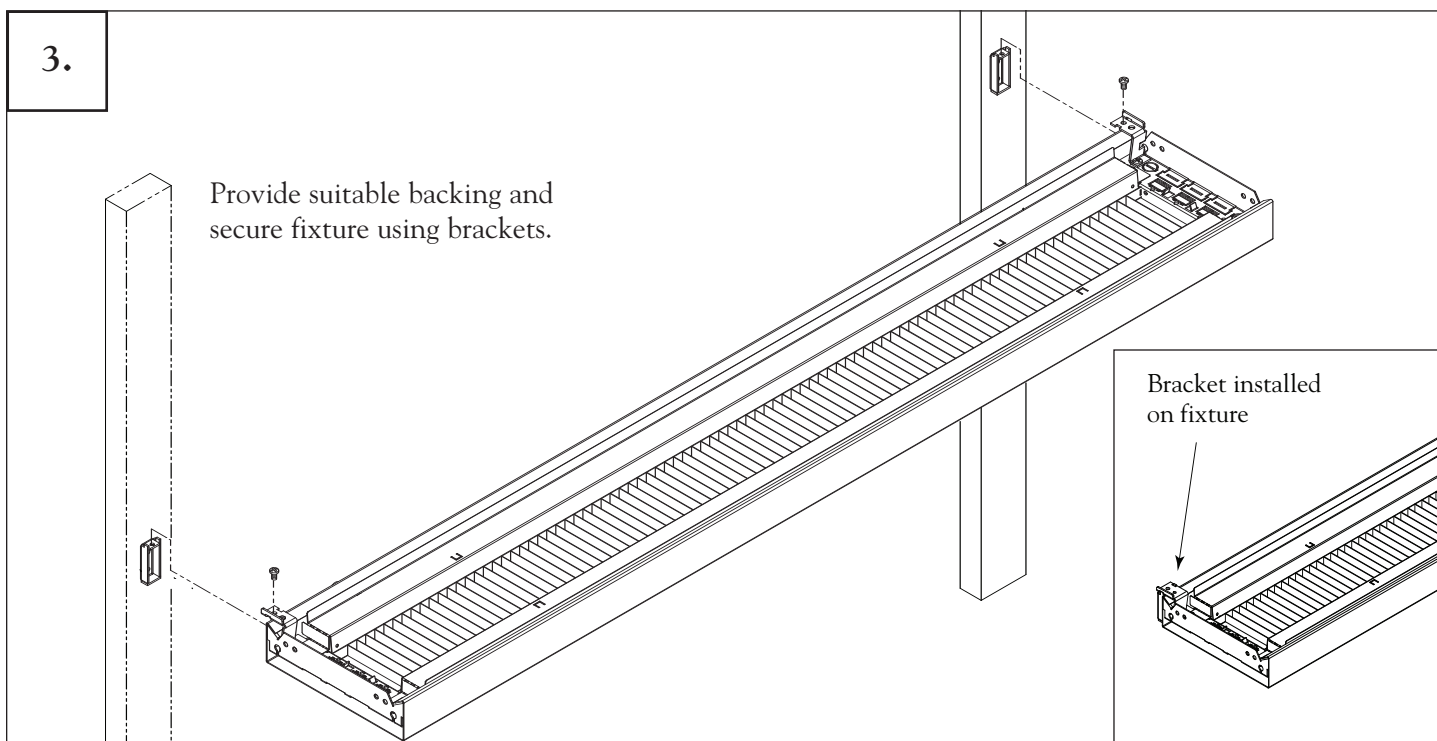
FINELITE Series 16 Wall Mount Instructions - Joining Instructions



INSTRUCTIONS

Follow Finelite S16 WM bracket mount instructions to install the STARTER fixture

1. Install the mounting bracket to the wall (into a stud or use suitable backing) at the far end of the luminaire..
2. Hold JOINER fixture up to the wall and connect the plug-together wiring. Join the two luminaires together. Secure the two luminaires together using two 10/32 screws (provided).
3. Provide suitable backing and attach fixture brackets to the wall brackets using #10 x 3/8" screws
4. The fixture level can be adjusted using a #10 x 3/8" (provided) screw as indicated in the drawing.



NOTE: All power connections to be installed to local/national codes by a Certified Electrician.

Series 16WM Joining Installation Instructions