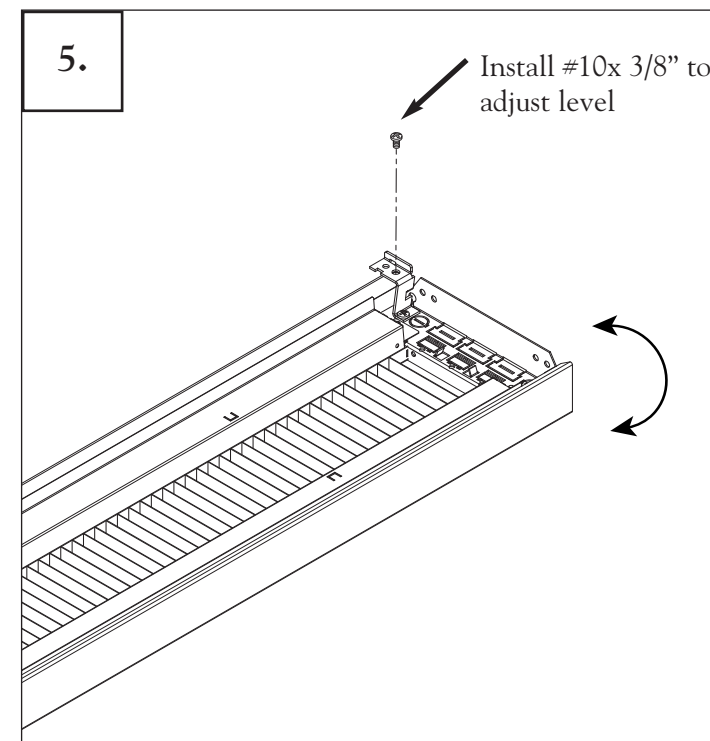
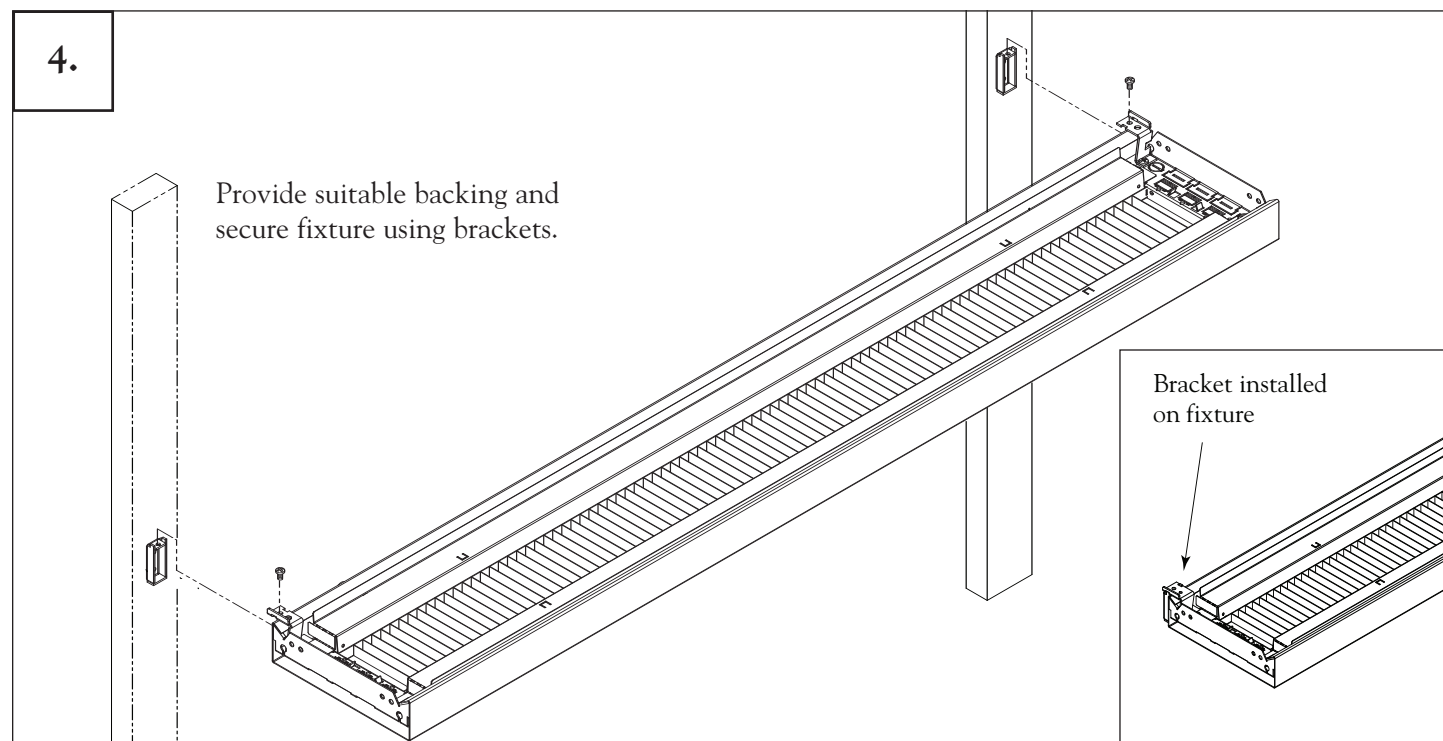
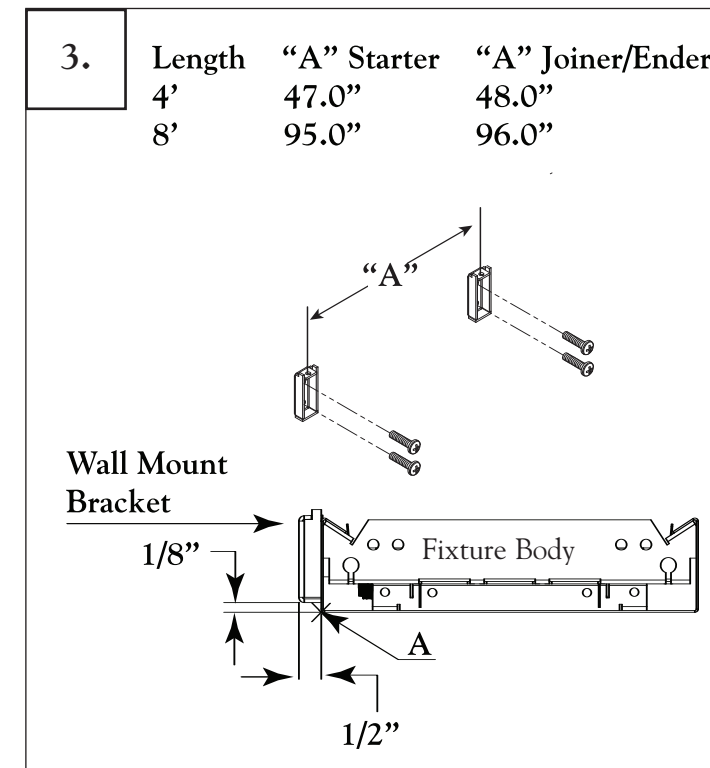
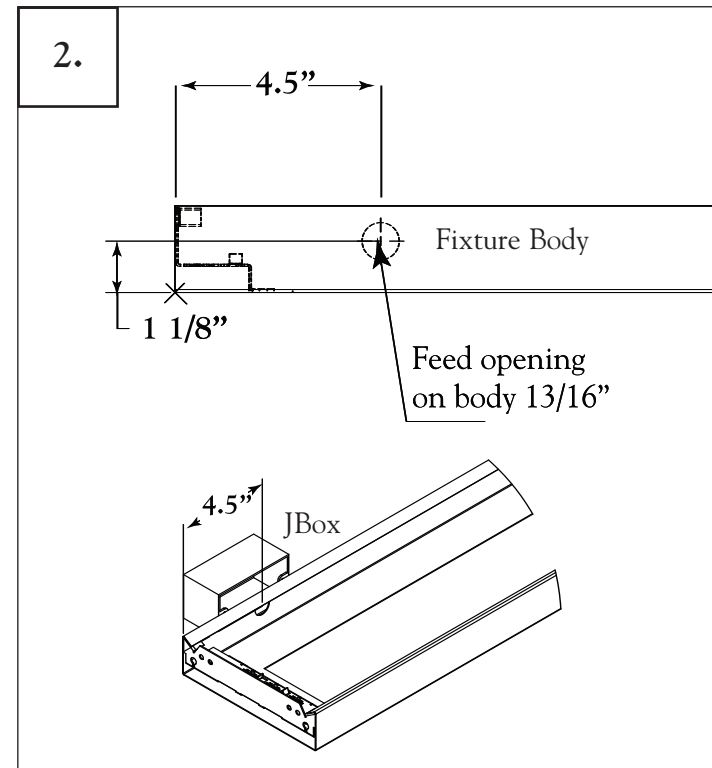
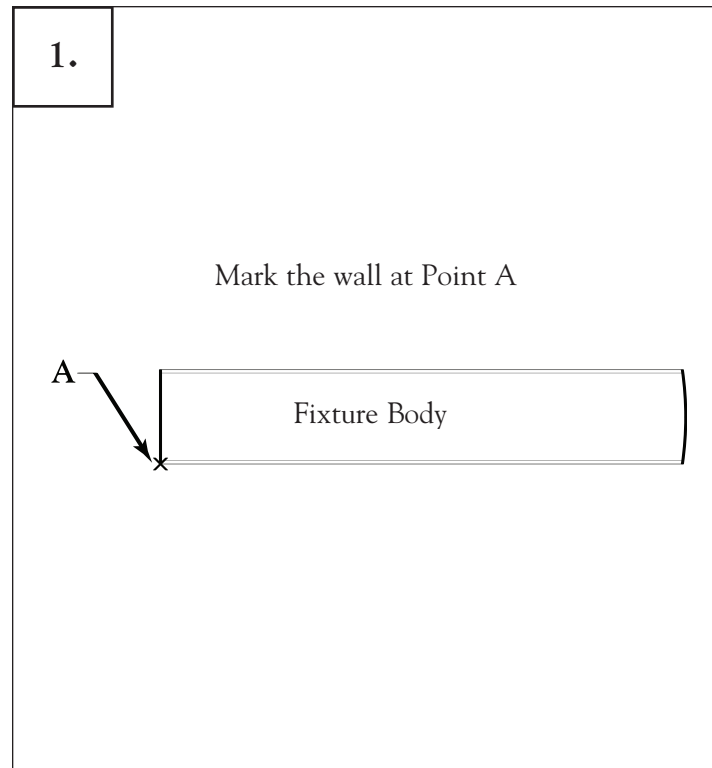


# FINELITE

## Series 16 Wall Mount Instructions



### INSTRUCTIONS

1. Position fixture on wall in desired location. Mark on wall the point where the endcap and the fixture body meet. This is Point A. Both ends of the fixture need to be marked on wall. Remove fixture.
2. Determine feed location by measuring a horizontal line 4.5" from Point A toward center of fixture, then 1.125" up from the luminaire bottom. Mark this spot for the feed. Install 4x2 J-Box over feed location and align top of box with Point A. Leave 8-10' of power wire exposed.
3. Position wall bracket on wall so bottom is 1/8" from bottom of fixture at Position A. Position the second bracket at distances indicated in drawing.
4. Attach brackets to stud or provide suitable backing. Be sure brackets are level. Use (2) #10 or #12 x 1.5" long screws per bracket. Align fixture brackets (installed at factory) with wall brackets and install using #10 x 3/8" screws at both ends of fixture as shown.
5. The fixture level can be adjusted using a #10 x 3/8" screw as indicated in the drawing.

NOTE: All power connections to be installed to local/national codes by a Certified Electrician.

### Series 16 Wall Mount Installation Instructions