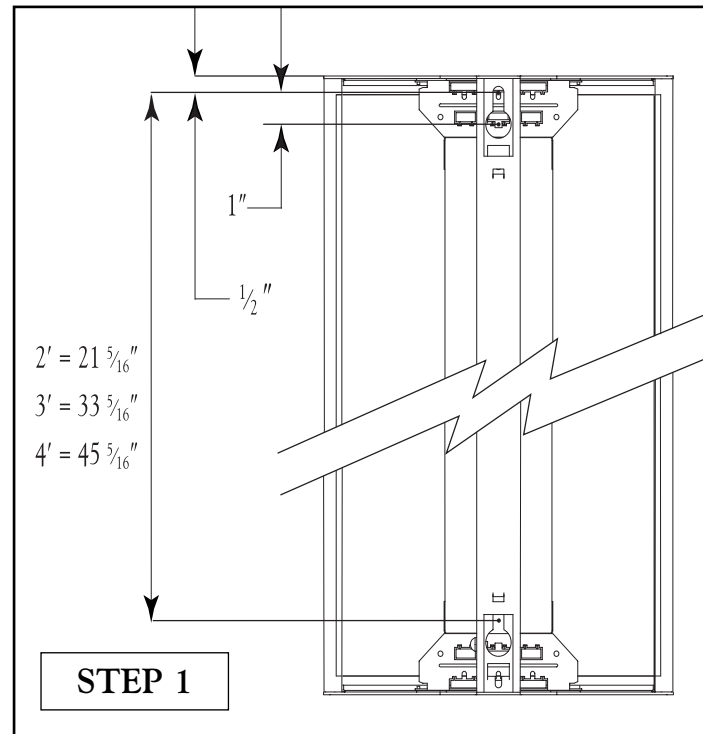


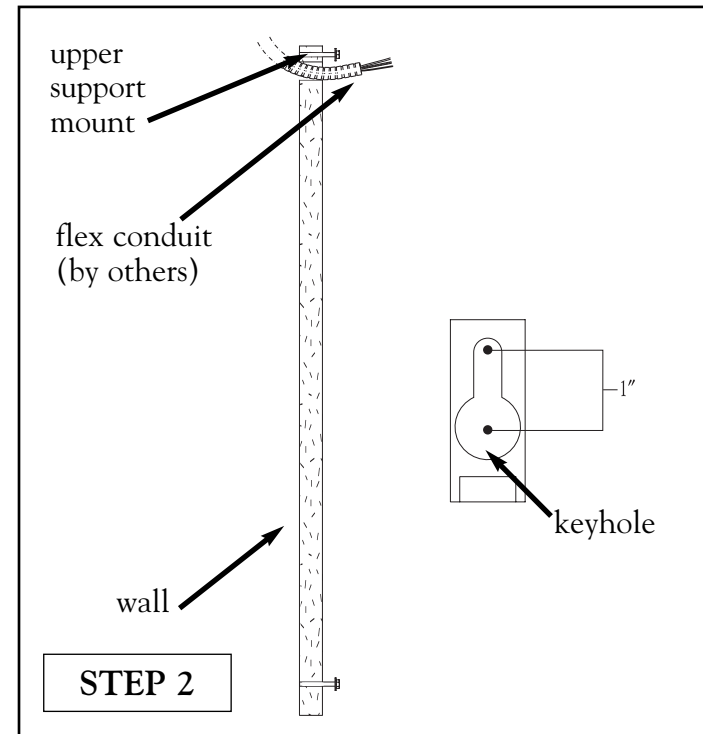
FINELITE

Series 15 Wall Mount Instructions

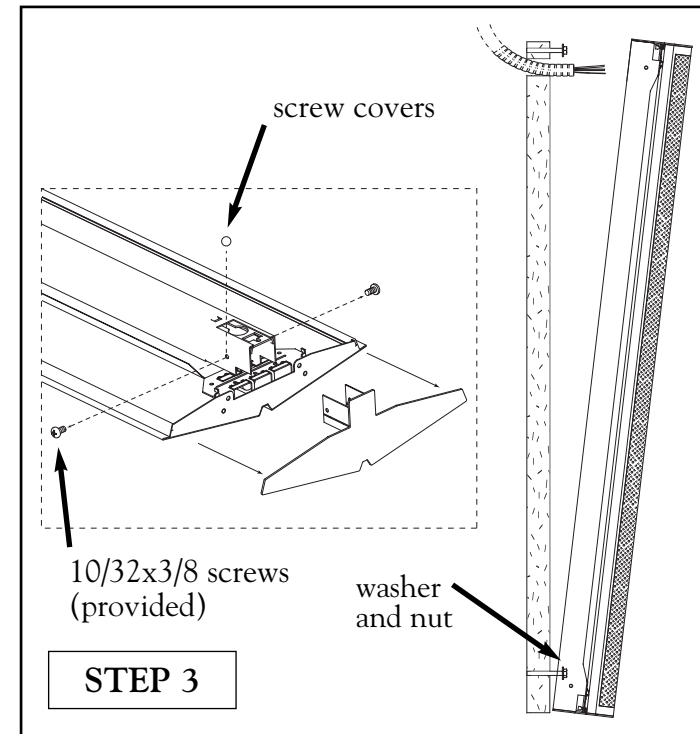
POSITION AND INSTALL MOUNTING HARDWARE



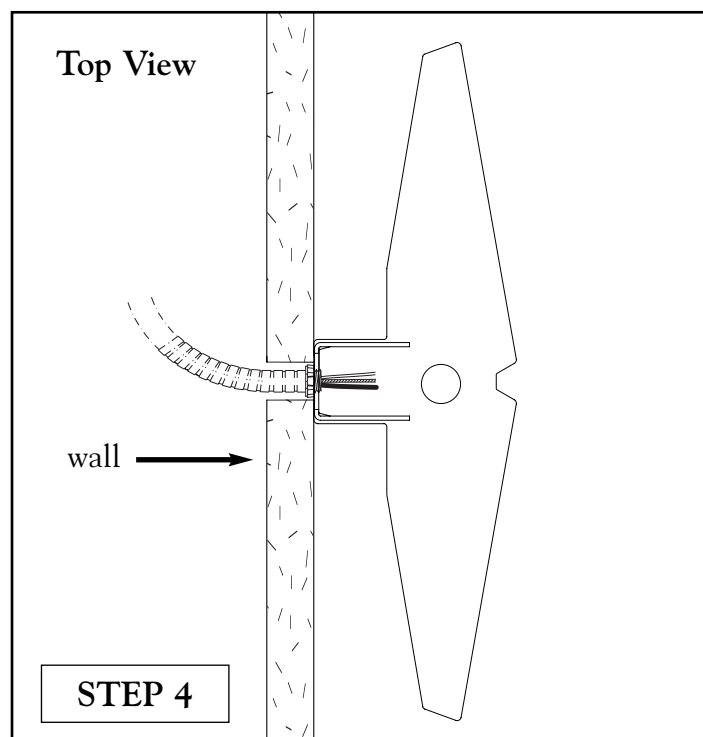
POSITION FLEX



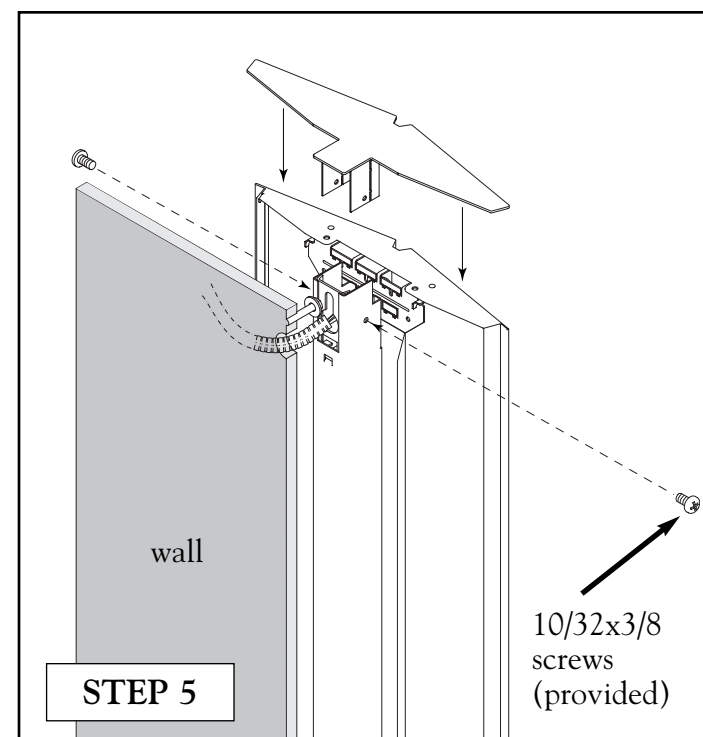
ATTACH FLEX



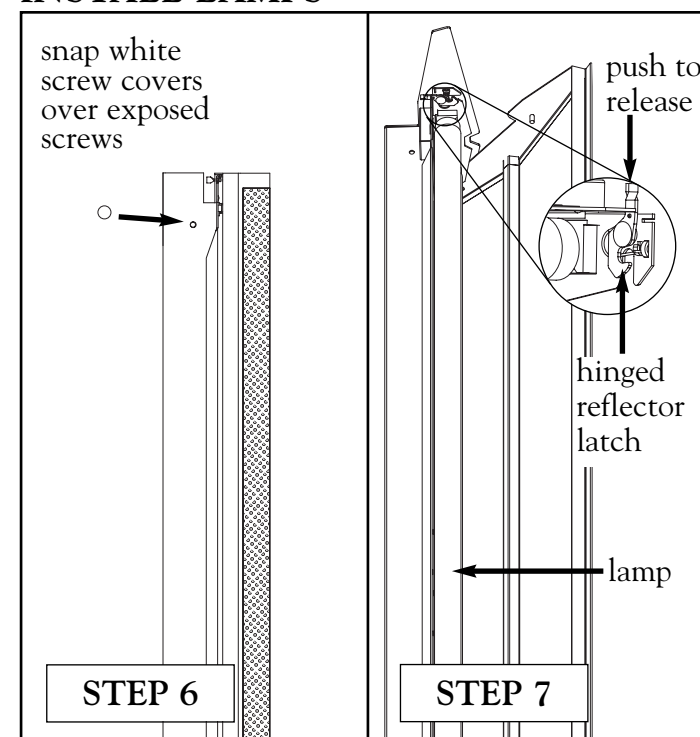
MAKE WIRE CONNECTIONS



SECURE TO WALL



COVER EXPOSED SCREWS & INSTALL LAMPS



INSTRUCTIONS

STEP 1. Position and install mounting hardware to wall for fixture lengths as shown in STEP 1 illustration. [Backing as required.] Luminaire may mount vertically or horizontally. Consult project drawings.

STEP 2. Drill 1" hole 1" from upper support mount for flex conduit. Position flex as indicated on drawing. Pull some excess flex through the keyhole to make installation easier.

STEP 3. Remove screws, screw covers and endcaps to gain access to the body channel. Place washer and nut loosely on the bottom screw. While resting luminaire on lower nut, connect flex to body with flex connector (provided).

STEP 4. With endcaps removed, make wire connections inside fixture body using wirenuts or other approved connectors.

STEP 5. Tighten nuts to securely fasten fixture to wall. Attach endcaps with 10/32x3/8 screws.

STEP 6: Snap screw covers over exposed screws.

STEP 7. Install lamps by depressing latch that rotates hinged reflector assembly to expose lamp holders. NOTE - Omit if lamps were supplied by Finelite.

NOTE: All power connections to be installed to local/national codes by a Certified Electrician.