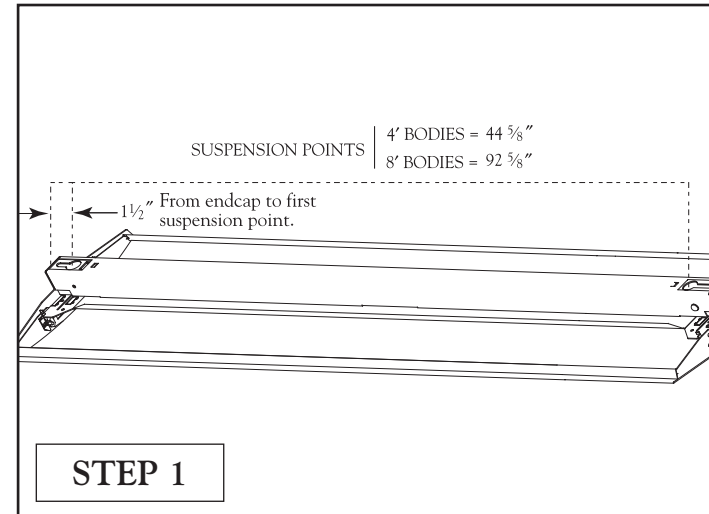


# FINELITE

# Series 15 Stem Mount Instructions

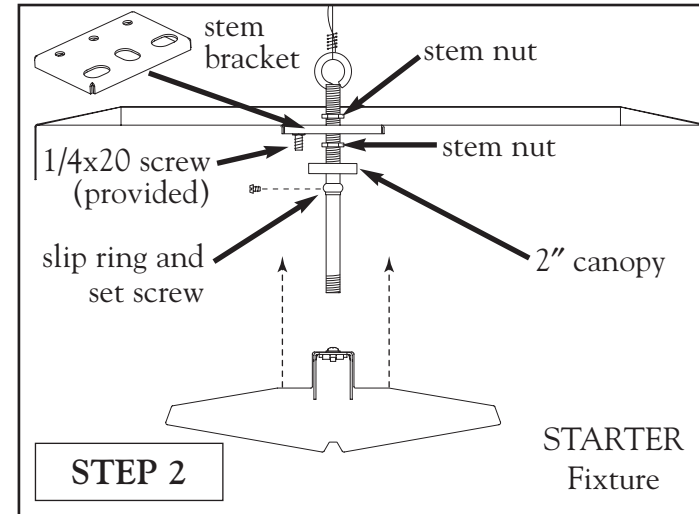
DO NOT attempt to join fixtures together on the floor. Damage may result when lifted. Follow these instructions.

## DRILL SUSPENSION POINTS



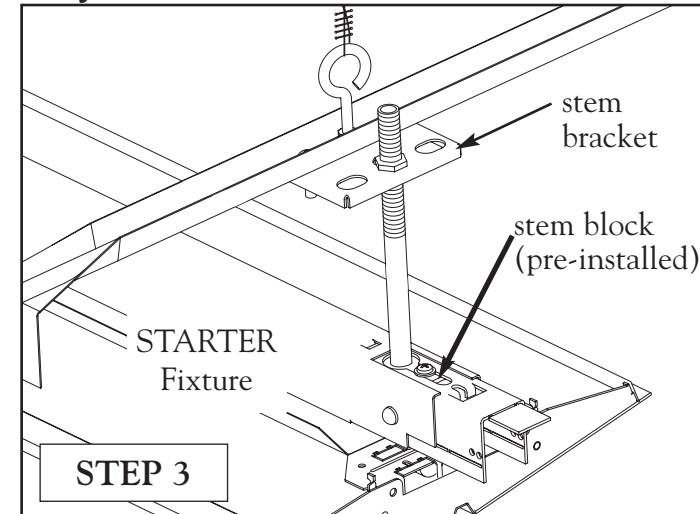
Drill neat 1/2" holes at desired suspension locations. Support locations are located as indicated above for first fixture in run. Subsequent fixture support locations are spaced 4' or 8' apart depending on body length.

## INSTALL STARTER FIXTURE



Position and secure caddy 512HD and attach stem bracket with 1/4x20 screw (provided). Push stem through hole in tile and stem bracket with one stem nut positioned below the stem bracket. Thread top stem nut to desired suspension length. With canopy and slip ring in place, thread bottom of stem into fixture body until tight. Tighten stem nuts to stem bracket. Position and secure canopy tight to ceiling.

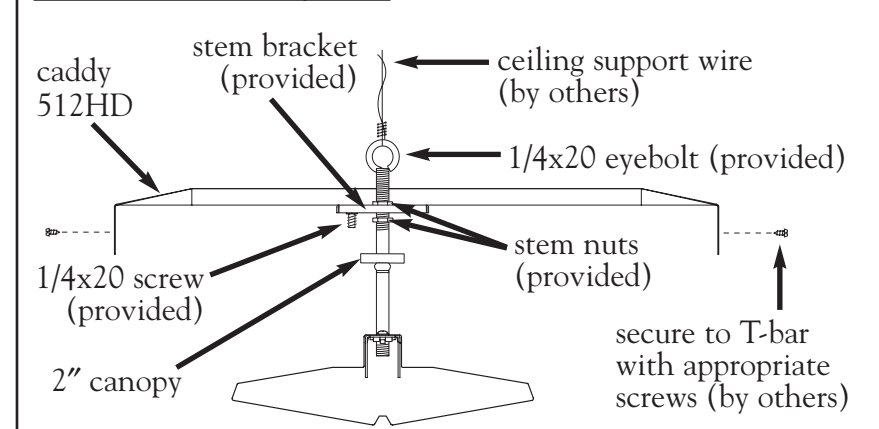
## ADJUST STEMS



Ceiling support wires should be installed in a manner such that stems are perpendicular to fixture body. Stem block can be loosened to adjust stem position further. Tighten screw on stem block after adjustment.

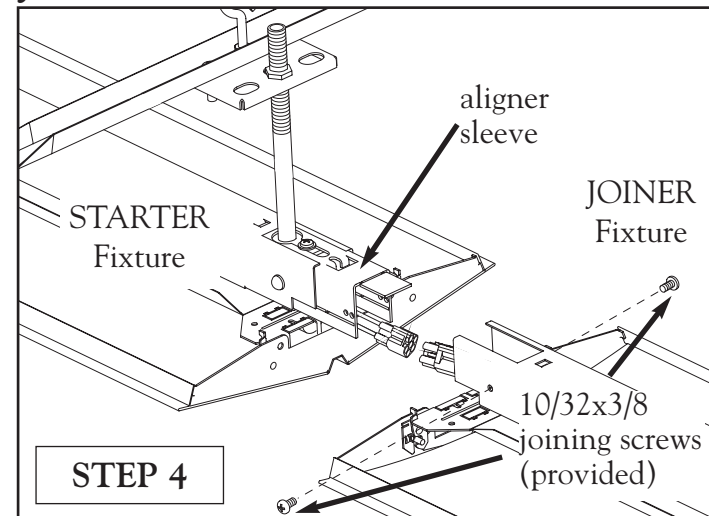
## MOUNTING HARDWARE

### NON-FEED LOCATION



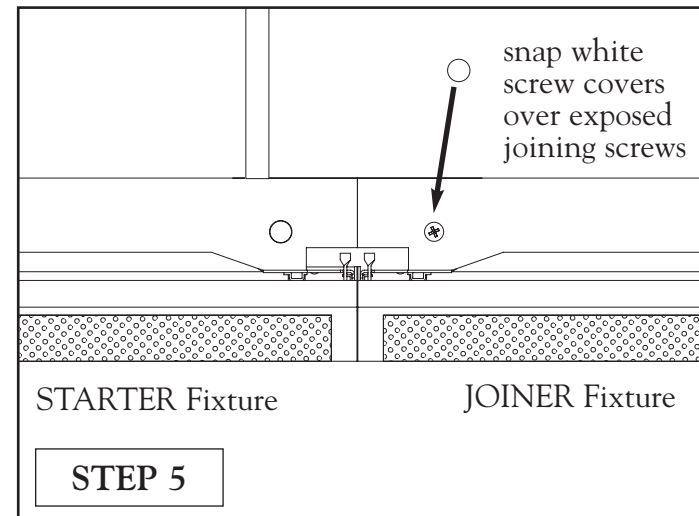
- Position and secure caddy 512HD to T-bar with appropriate screws.
- Attach stem bracket to caddy with 1/4x20 screw (provided) and attach 1/4x20 eyebolt (provided).
- Position ceiling support wire such that stem is perpendicular to fixture body.

## JOIN FIXTURES



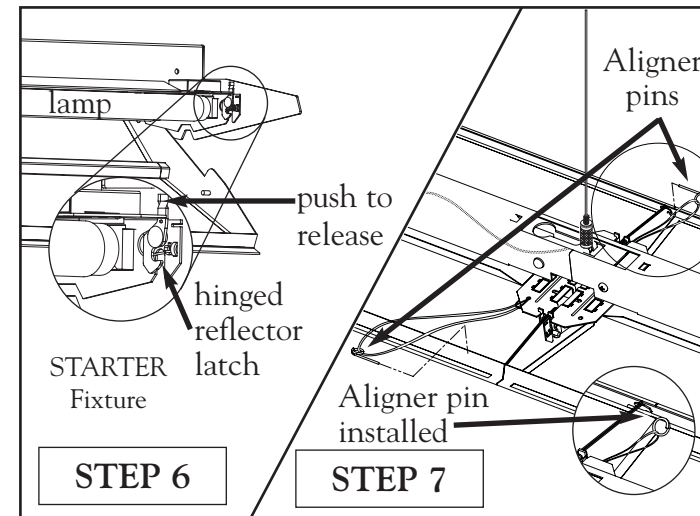
Temporarily install stem loosely at far end (right side) of JOINER. At left end, connect plug together wiring and slide JOINER onto aligner sleeve of STARTER. Secure fixtures with two 10/32x3/8 screws (provided). Level fixture and tighten stem to stem bracket on right side of JOINER. Repeat process to end of row.

## COVER EXPOSED SCREWS



Cover joiner screws with white caps provided (2 per joint).

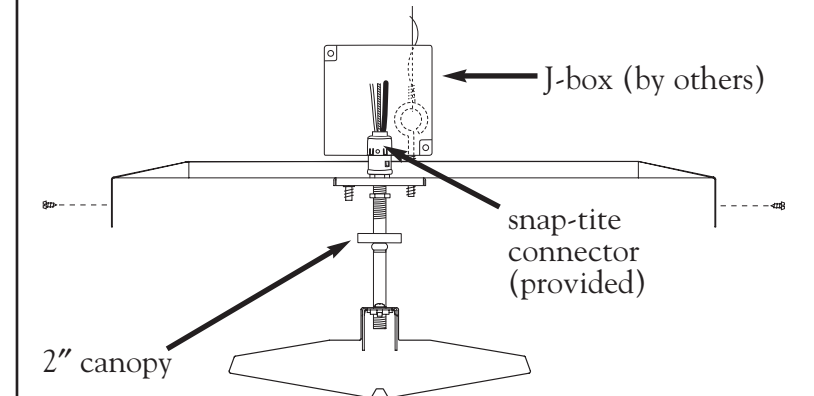
## INSTALL LAMPS AND ALIGNER PINS



STEP 6 - Install lamps by depressing latch that rotates hinged reflector assembly to expose lamp holders. NOTE - Omit if lamps by Finelite.

STEP 7 - Insert aligner pins into holes on edge of basket.

### FEED LOCATION



- Snap-tite connector is attached to top of stem.
- J-box is secured to snap-tite connector.
- Secure J-box in accordance with all applicable building codes.

**NOTE: All power connections to be installed to local/national codes by a Certified Electrician.**