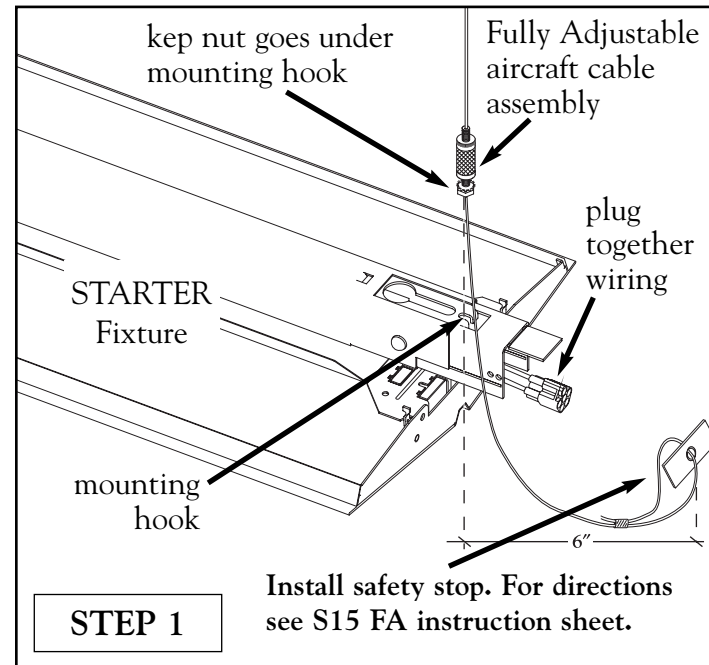


# FINELITE

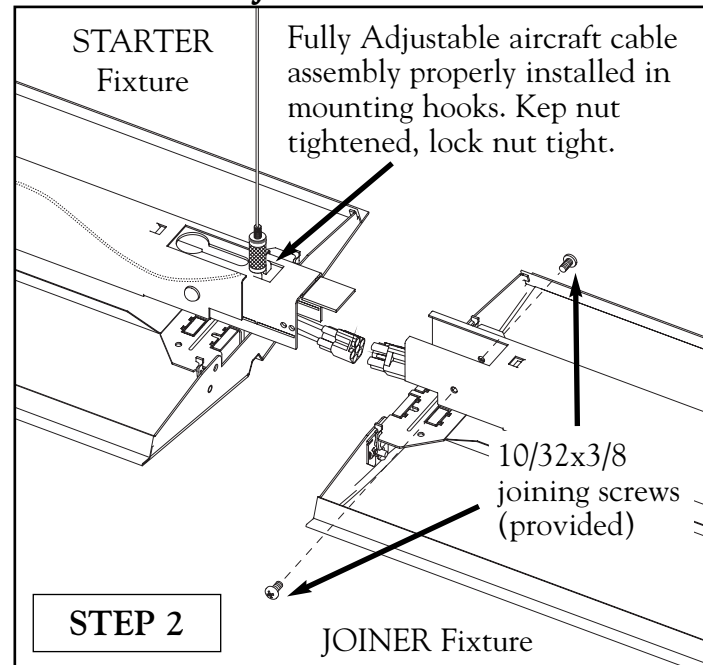
## Series 15 Joining Instructions (Fully Adjustable Cable)\*

DO NOT attempt to join fixtures together on the floor. Damage may result when lifted. Follow these instructions.

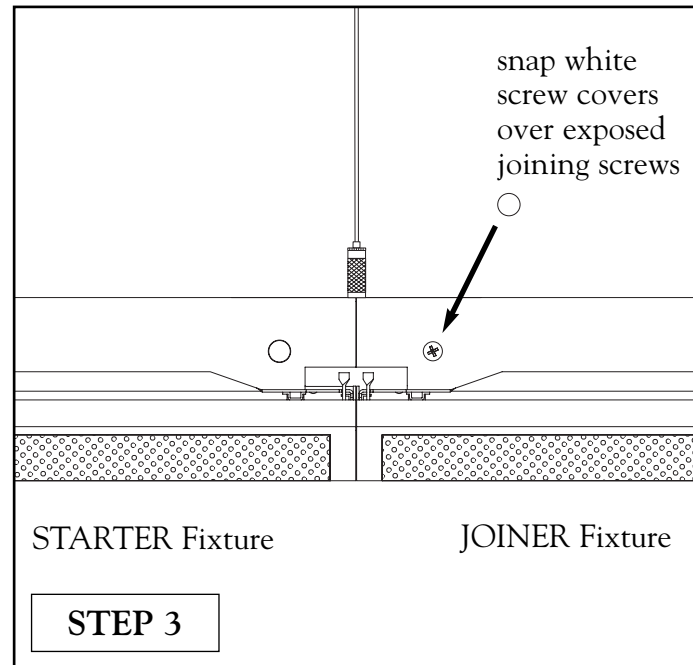
### HANG STARTER FIXTURE



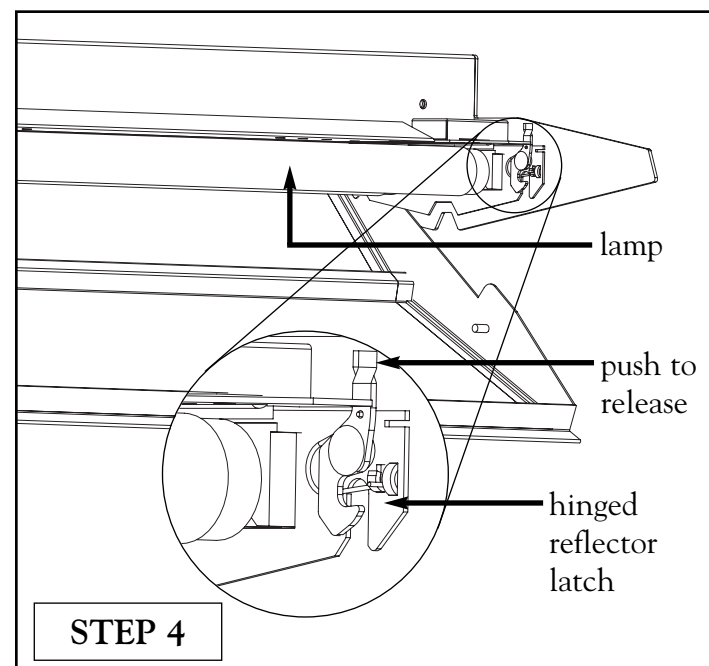
### HANG AND JOIN FIXTURES



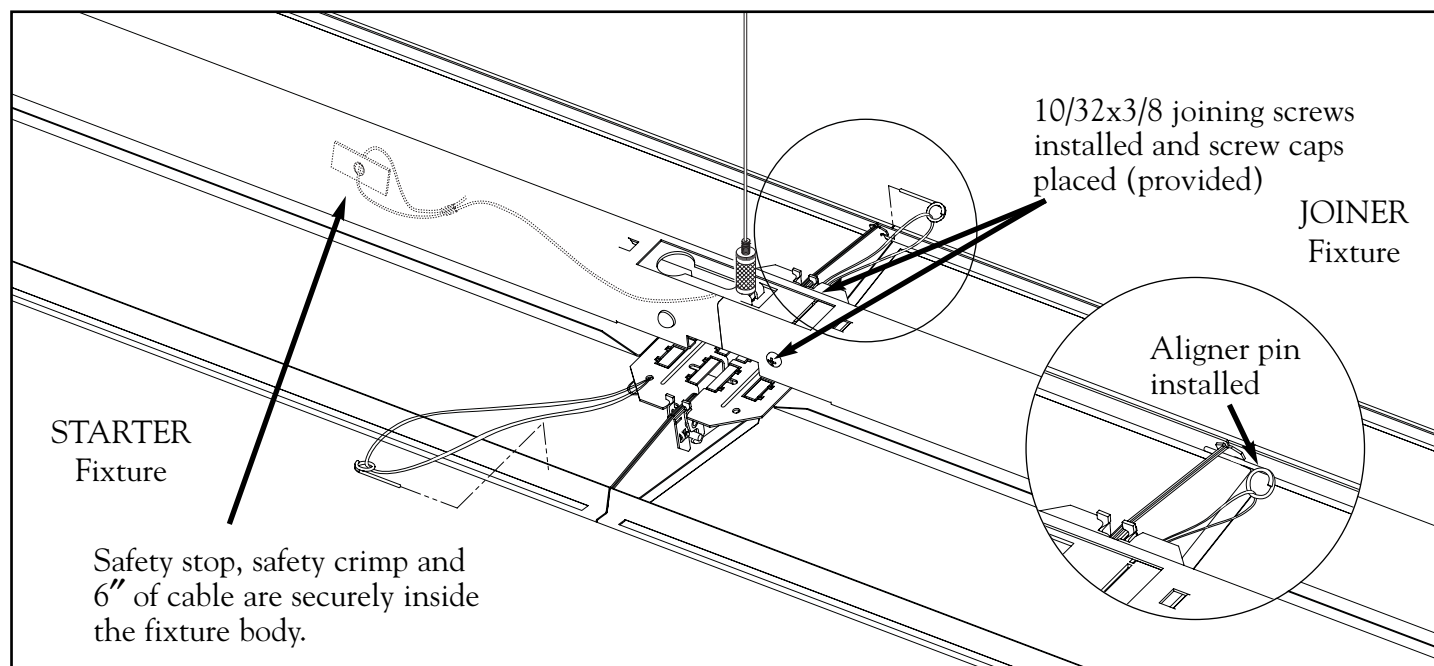
### COVER EXPOSED SCREWS



### INSTALL LAMPS



### FINAL CHECK



## INSTRUCTIONS

**STEP 1.** Hang STARTER fixture by placing bottom kep nut of aircraft cable assembly under mounting hook at endcap end, rotate up to sit securely on mounting hook, tighten securely (avoid over-tightening). Install safety stop and safety crimp according to S15 FA instruction sheet. Repeat with aircraft cable assembly at joining end.

**STEP 2.** Hang far end of JOINER fixture while supporting both ends. Connect plug together wiring between STARTER fixture and JOINER fixture. Push fixtures together. Secure fixtures together with two 10/32x3/8 screws (provided).

**STEP 3.** Cover joiner screws with white caps provided (2 per joint).

**STEP 4.** Install lamps by depressing latch that rotates hinged reflector assembly to expose lamp holders. NOTE - Omitted if lamps were supplied by Finelite.

## FINAL CHECK

- Aircraft cable assembly sits securely on mounting hook, bottom kep nut is tight.
- Safety Stop and 6" of aircraft is securely inside fixture body.
- Plug together wiring is connected.
- Two 10/32x3/8 joiner screws have been installed.
- Screw covers placed on joiner screws.
- Insert aligner pins into holes on edge of basket

Repeat for remaining JOINER and ENDER fixtures to complete row.

\* Pictured with Standard Fully Adjustable (FA) Aircraft Cable Assembly.

Finelite, Inc. ◇ 30500 Whipple Road ◇ Union City, CA 94587-1530 ◇ 510 / 441-1100 ◇ FAX: 510 / 441-1510 ◇ www.finelite.com

© 2003 FINELITE, INC. ALL RIGHTS RESERVED