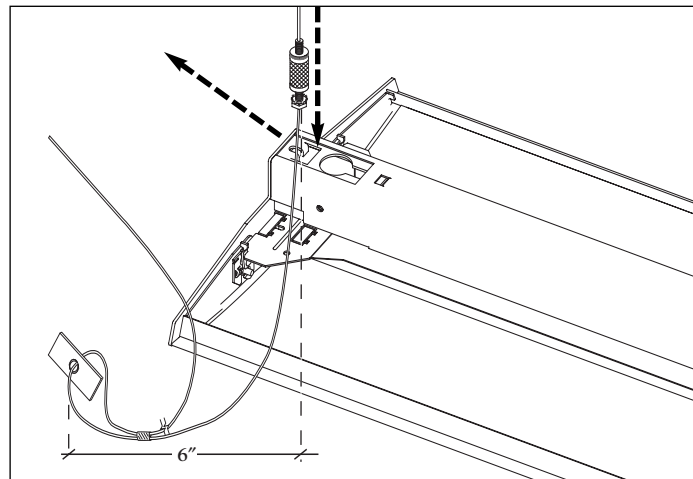


FINELITE

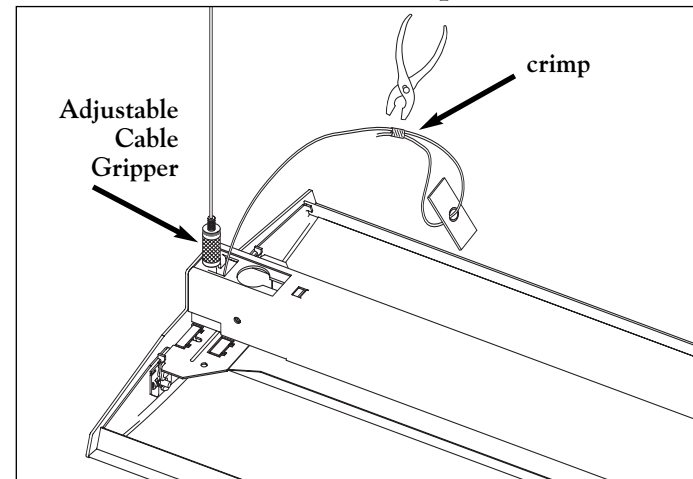
Series 15 Instructions Fully Adjustable Cable*

ADJUST & LEVEL (endcap detail)



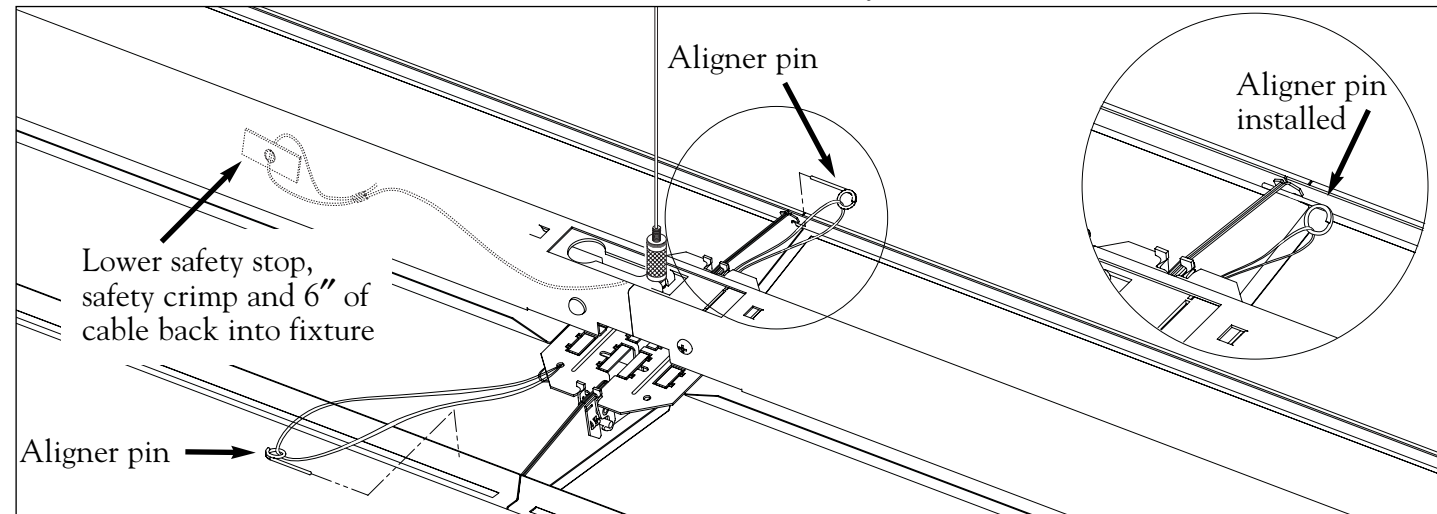
1. Position serrated kep nut of the adjustable cable gripper under the mounting hooks, rotate up to sit securely on top of hook. Finger tighten kep nut until secure. Depress release lock nut to adjust A/C to level fixture. Relock lock nut to secure. For short suspensions install cable assemblies while fixture is on ground.

SECURE & TRIM (endcap detail)

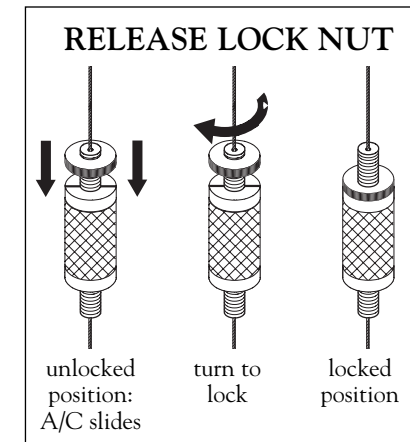


2. Slide safety stop and safety crimp up cable to within 6" of cable gripper. Secure safety crimp with crimping tool. Trim excess cable. Lower safety stop, safety crimp and 6" of cable into fixture.

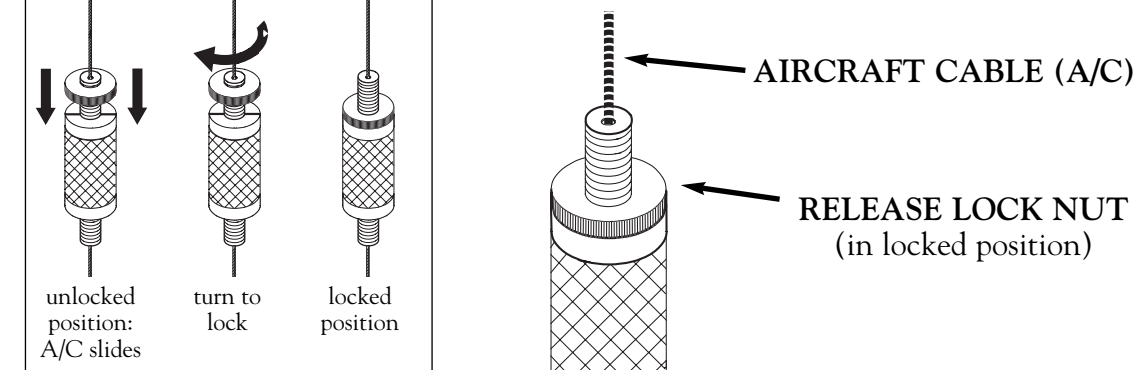
INSERT TO COMPLETE (joint detail)



FINAL CHECK: In completed installation the release lock nut is screwed down, kep nut is tight, crimp has been secured, safety stop and safety crimp and 6" of aircraft cable are securely inside fixture body. Insert aligner pins into holes on the edge of basket.



ADJUSTABLE CABLE GRIPPER ASSEMBLY



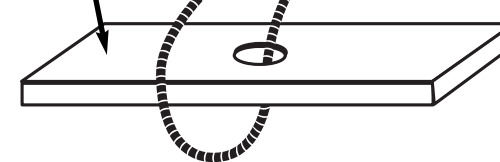
* For short suspensions, attach gripper to fixture before attaching cable to ceiling.

finger tighten serrated kep nut for snug fit (over tightening may strip brass threads)

MOUNTING HOOKS

SAFETY CRIMP (securely crimp with crimping tool)

SAFETY STOP 1.5" x 0.5" x 0.125"



INSTALLATION DIRECTIONS HOOK — LATCH — LEVEL

1. Position the serrated kep nut of the adjustable cable gripper assembly under the mounting hooks, rotate up to sit securely on top of hook.
2. Finger tighten kep nut until secure. (Avoid over-tightening.)
3. Depress the release lock nut to adjust the A/C to the correct length to level the fixture. Screw down release lock nut. Pull excess A/C away from fixture.
4. Pull all but 6" of cable up through safety stop and safety crimp.
5. Secure safety crimp with crimping tool. Trim off excess cable.
6. Push safety stop, safety crimp and remaining 6" of cable down into fixture body.

89450 Fully Adjustable Cable Installation Instructions

89450 Fully Adjustable Cable Assembly