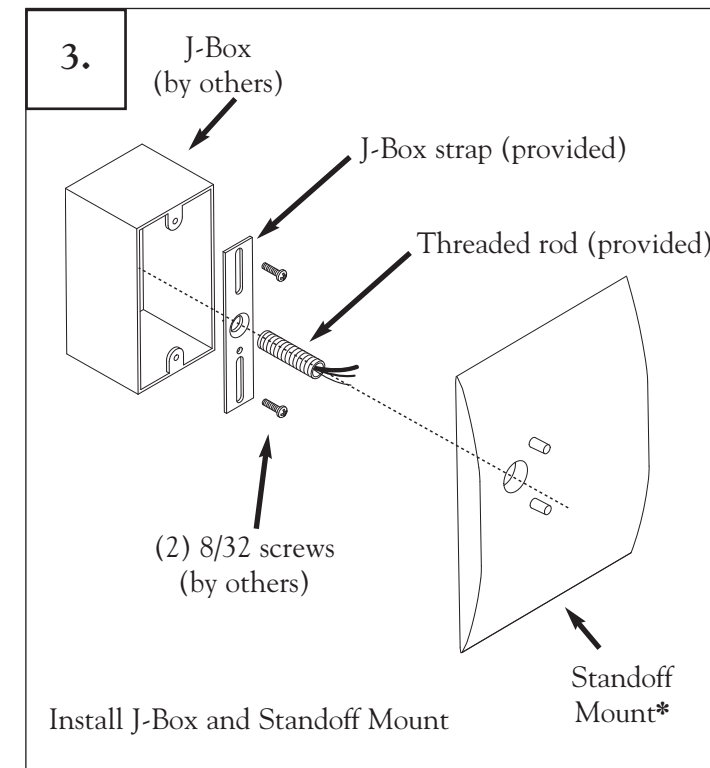
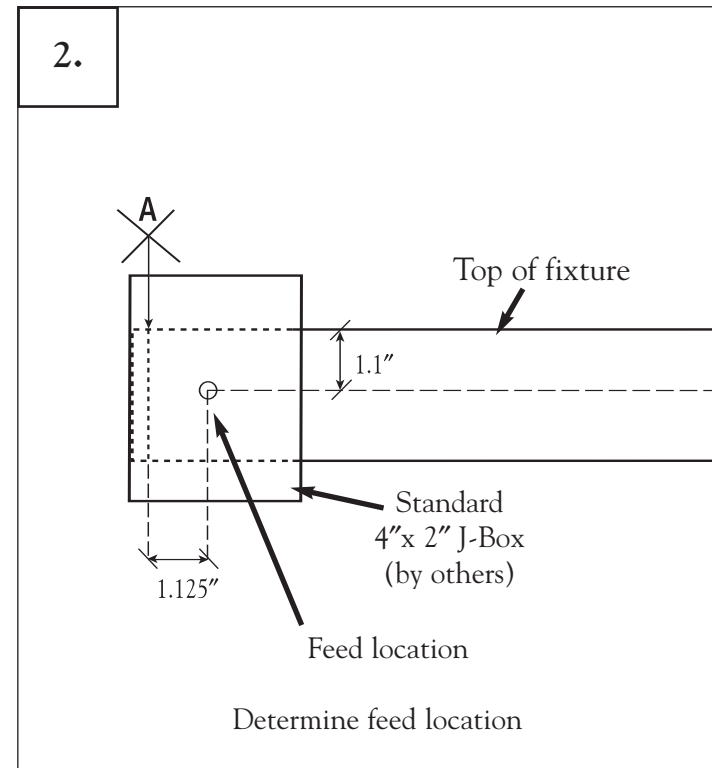
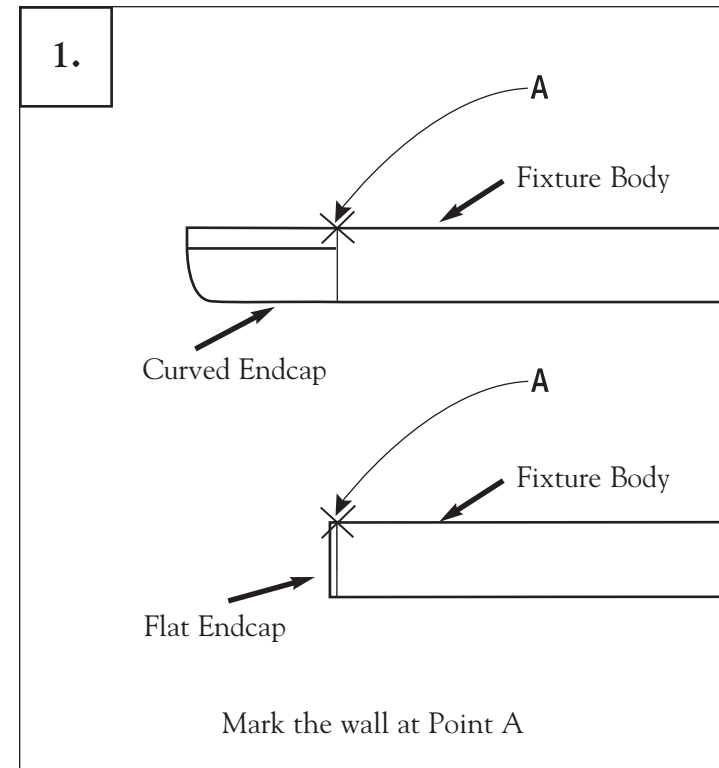


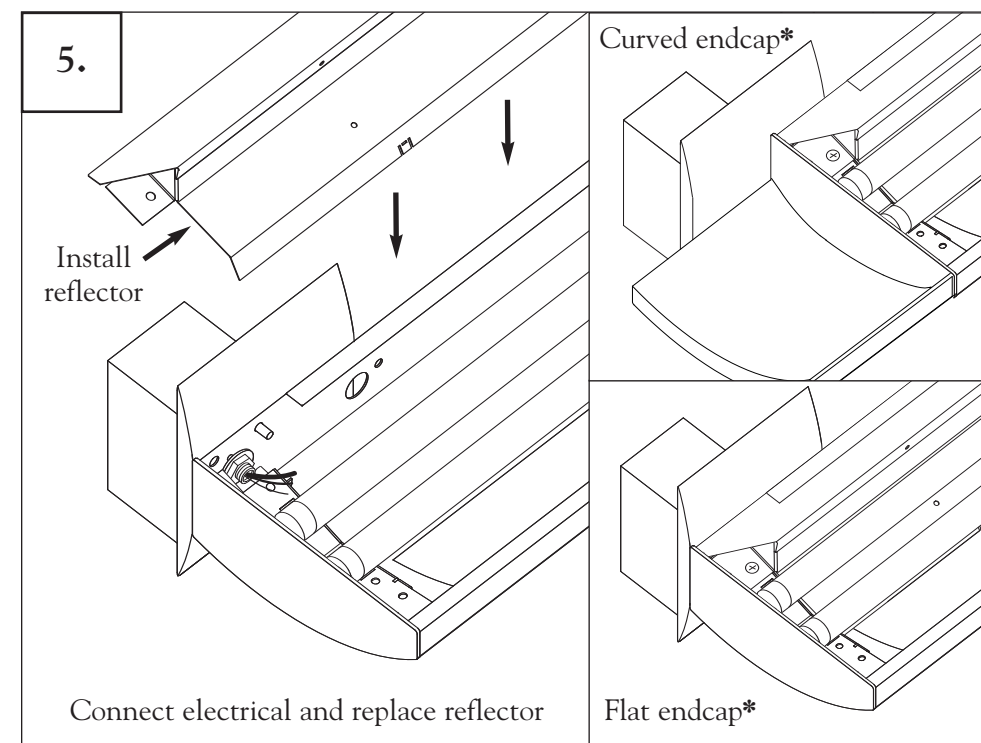
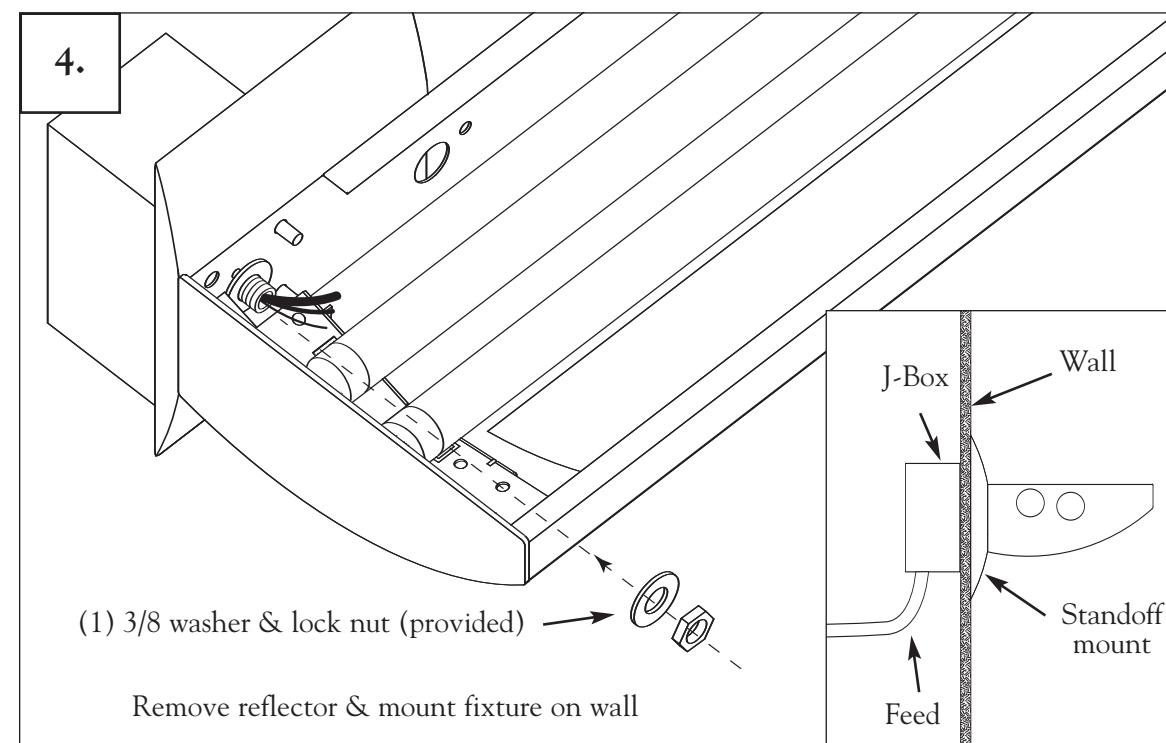
FINELITE

Series 12WM Instructions - Standoff Mount (SM)



INSTRUCTIONS

- Position fixture on wall in desired location. Mark on wall the point where the endcap and the fixture body meet. Both ends of the fixture need to be marked on wall. This is Point A. Remove fixture.
- Determine feed location by measuring a horizontal line 1.125" from Point A toward center of fixture, then 1.1" downward. Mark this spot for the feed. Mount 4" x 2" J-Box centering box over feed location and fasten securely to wall.
- Connect fixture wires (provided) to junction box wiring, thread wires through J-Box strap (provided) and Standoff Mount leaving 8-10" of power wire exposed. Attach (2) 8/32 screws through J-box strap to J-box. Place threaded rod loosely through hole in standoff mount.
- Remove reflector and mount fixture on wall. Make sure fixture is level. Mount opposite (non-power side) standoff mount securely to wall. Thread feed wires through fixture and install (1) 3/8" washer and (1) 3/8" lock nut (provided) on each mounting location of fixture body.
- Make splices, connect electrical and replace reflector. Join fixtures as needed. The fixture is supported every 48", regardless of fixture length. The last mounting is 1.125" in from fixture end of fixture body. See joining instructions for additional information.



*** IMPORTANT - POSITION OF STANDOFF MOUNT ROTATES 180° WHEN USING A CURVED ENDCAP.**

NOTE: All power connections to be installed to local/national codes by a Certified Electrician.

Series 12 Wall Mount (Standoff) Installation Instructions