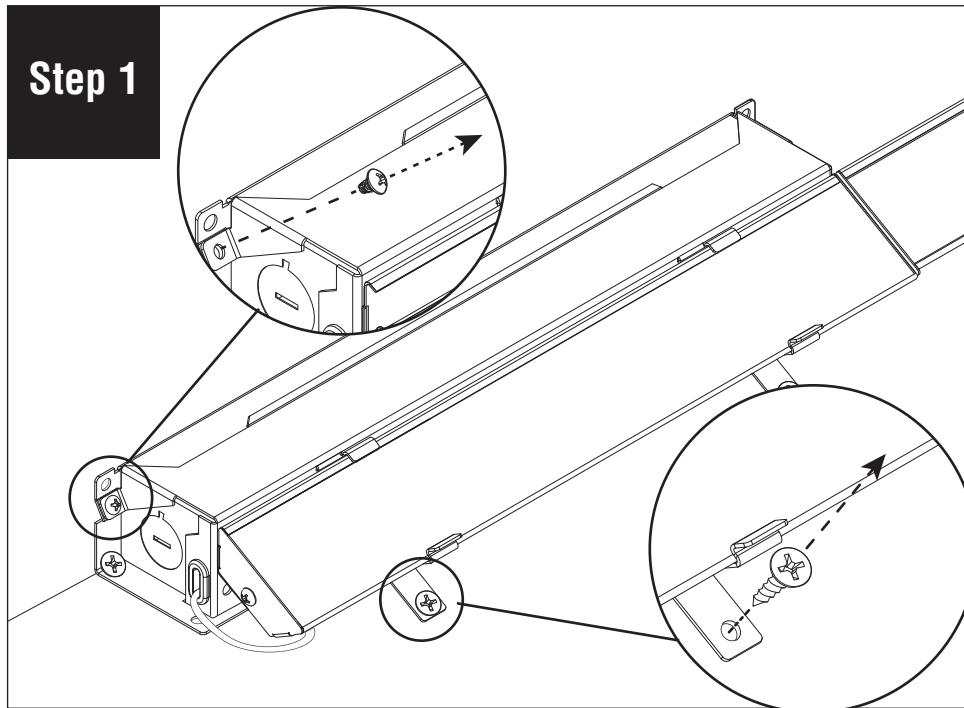
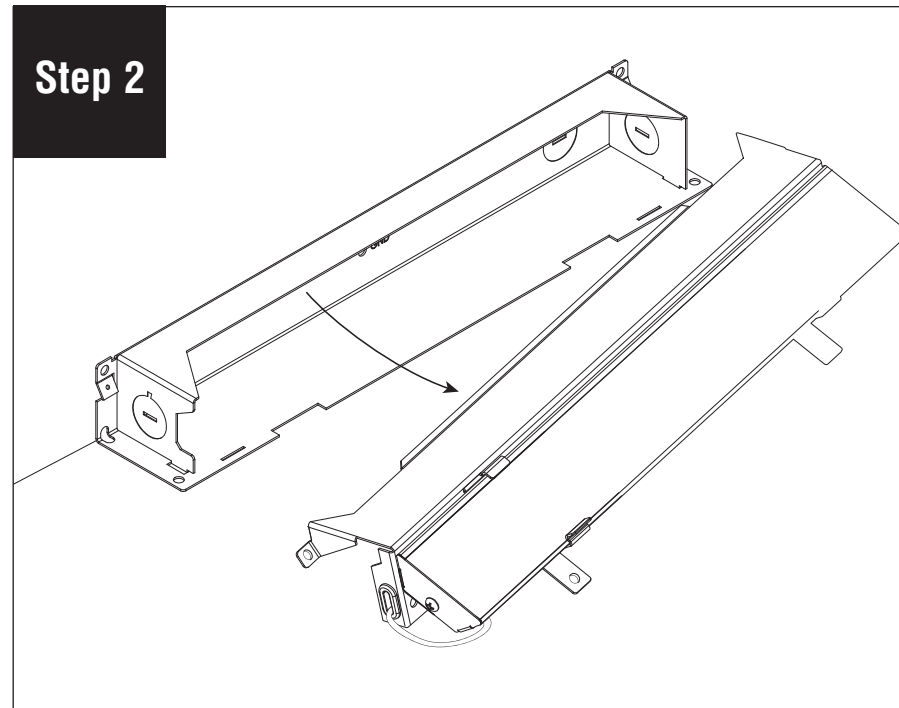


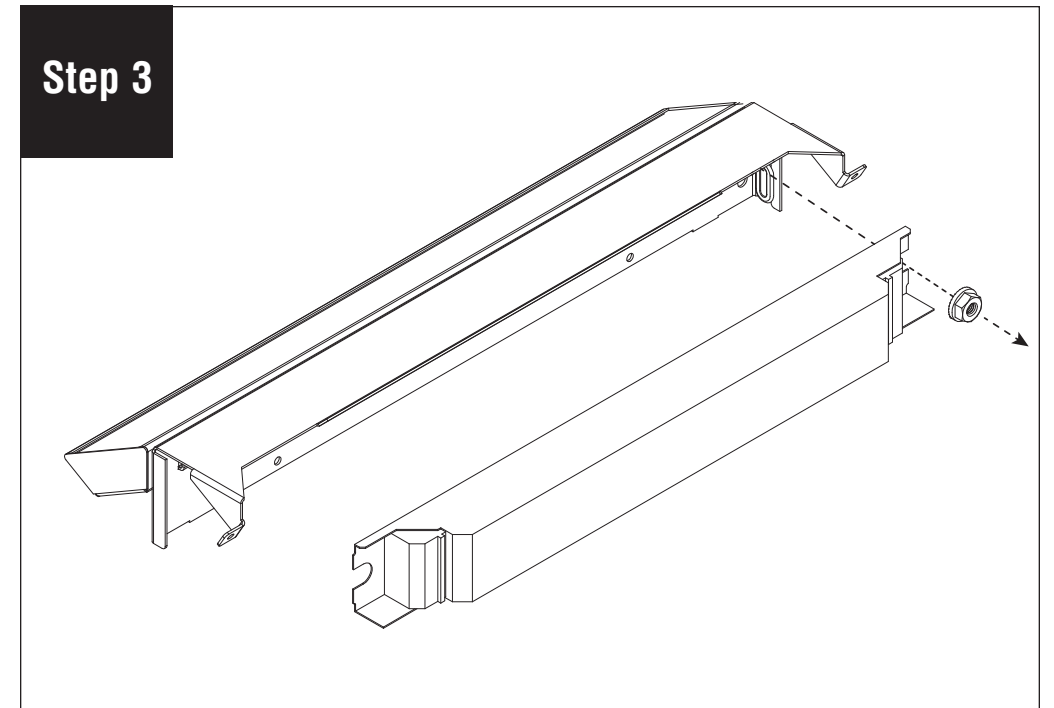
## Series 11 Micro Flex LED Driver Replacement Instructions



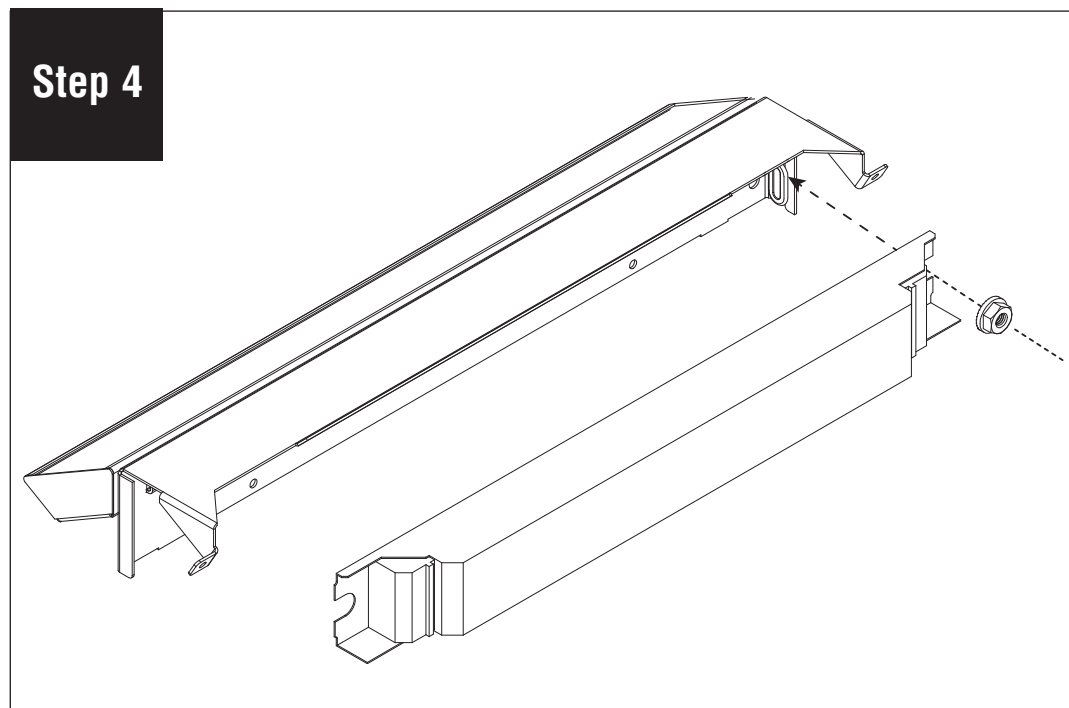
**Step 1**  
Confirm which driver needs to be replaced. Shut off power to the fixture. Remove 2x Phillips screws on cover using #2 Phillips screw driver and 2x Phillips screws on optical channel clips.



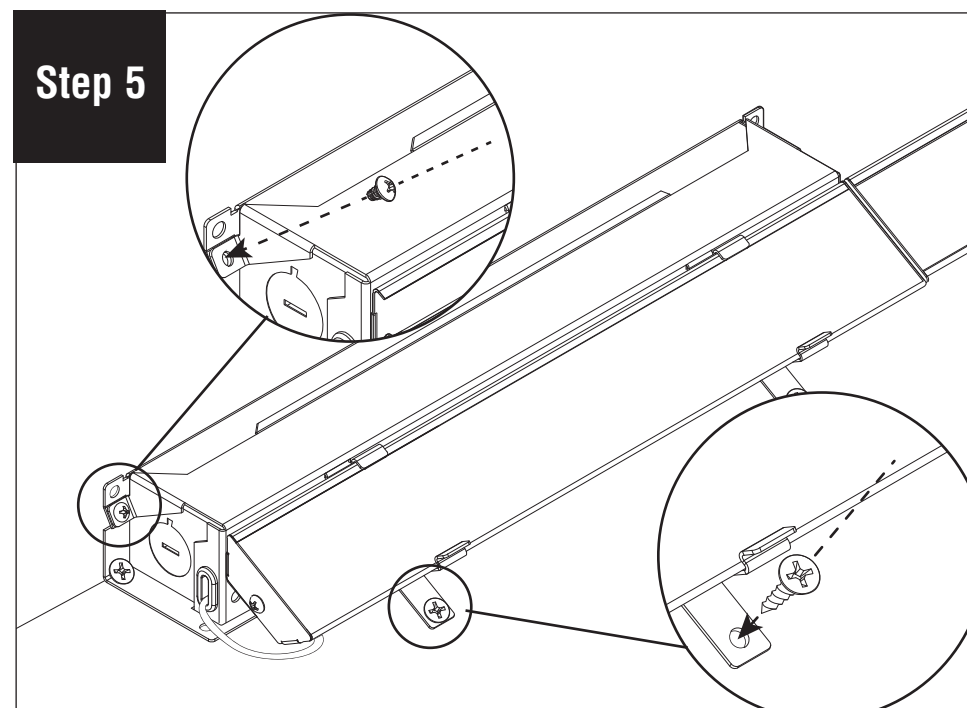
**Step 2**  
Pull cover assembly away from body.



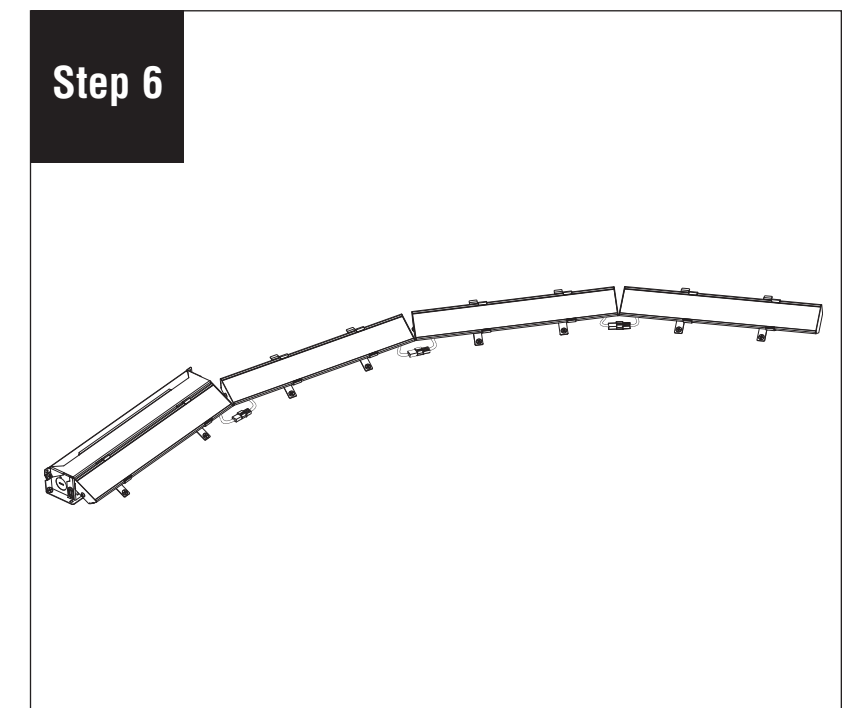
**Step 3**  
Carefully remove wires connected to driver. Remove #10-32 keps nut with 3/8" nut driver, and remove driver from housing. Return spent driver to Finelite or local E-Waste recycler.



**Step 4**  
Carefully replace wires connected to driver. Replace #10-32 keps nut with 3/8" nut driver to secure driver to housing.



**Step 5**  
Reinstall cover assembly and secure 2x Phillips screws on cover using #2 Phillips screw driver and 2x Phillips screws on optical channel clips.



**Step 6**  
Turn power on to fixture.