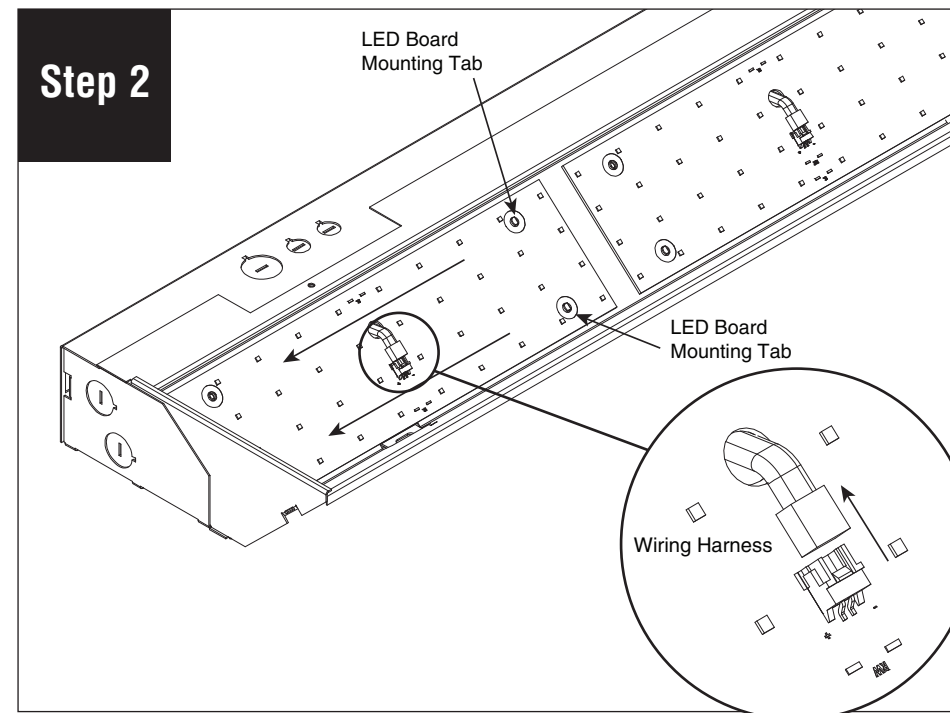
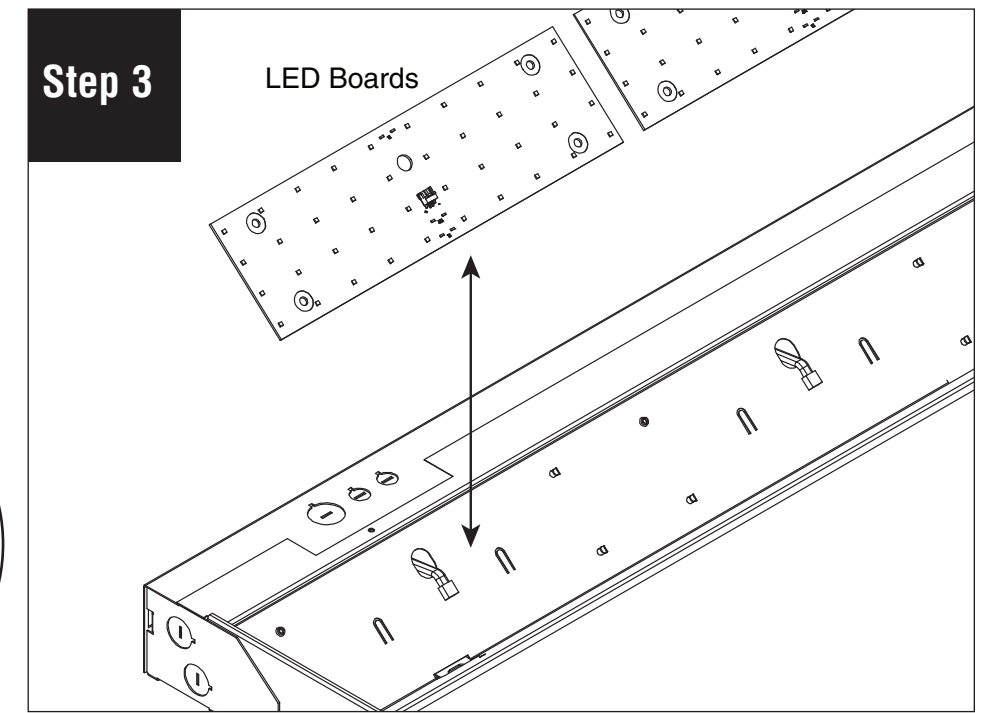


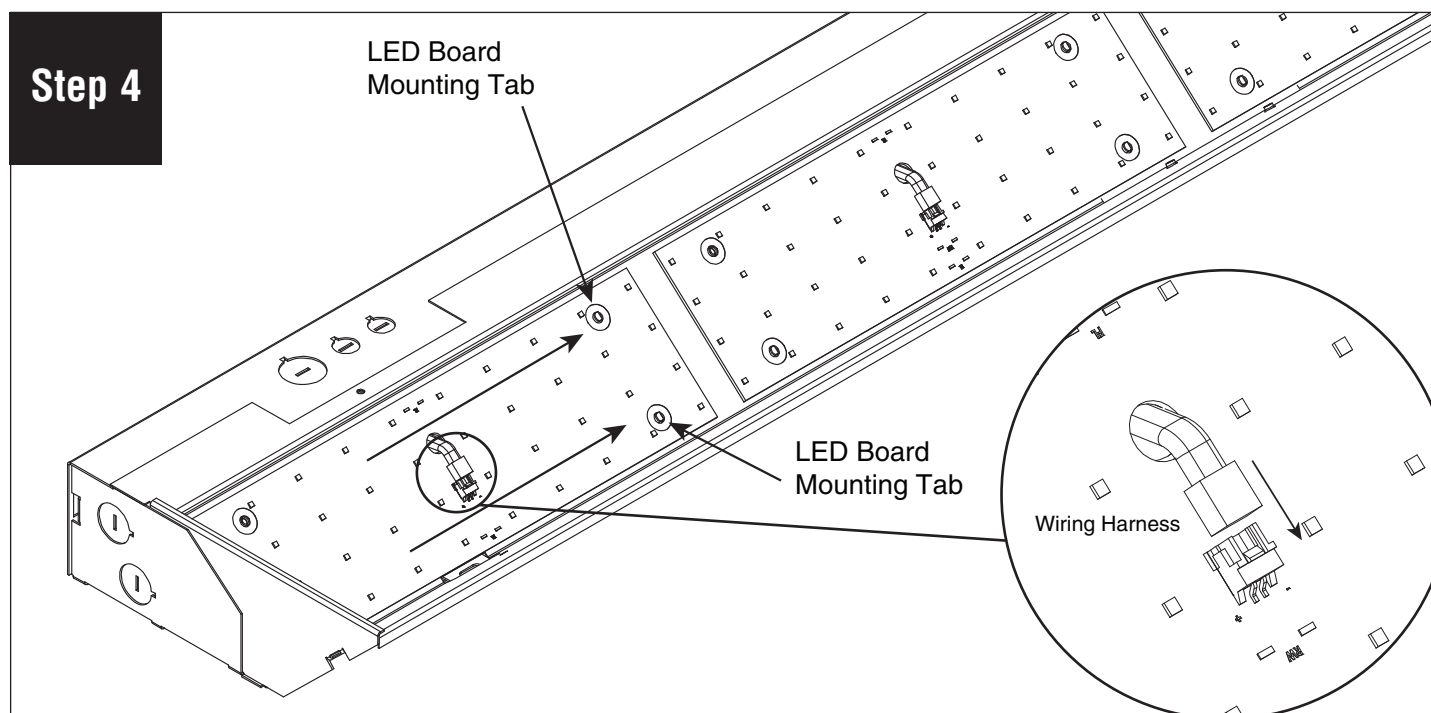
Gently slide lens forward and lift up to remove. Remove #8 screws that are holding down the LED boards.



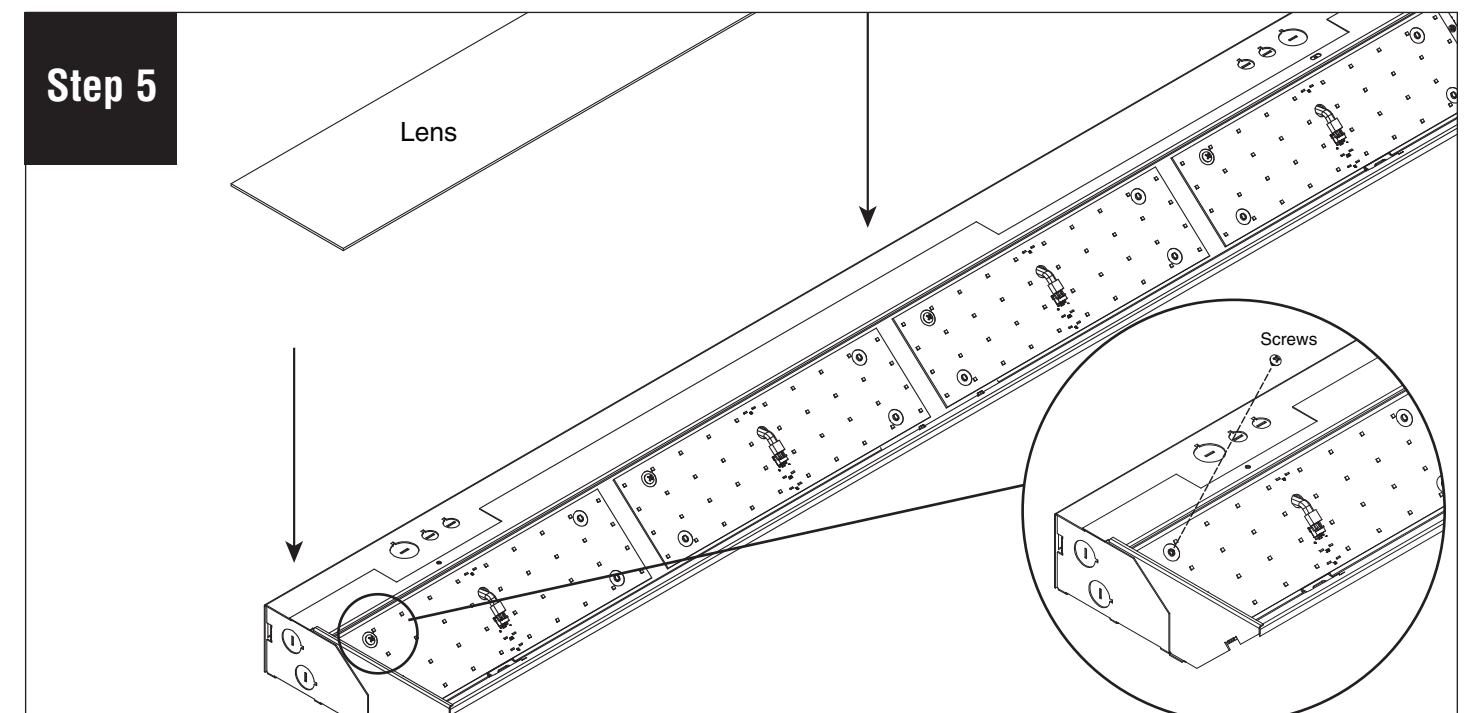
Unplug the wiring harness. Gently lift the corner of the LED board and slide LED board away from the mounting tab.



Carefully remove LED board from harness and replace with new LED board.



Slide LED board toward the mounting tab. Reconnect LED wiring harness.



Secure LED boards by replacing #8 screws, then replace Lens.