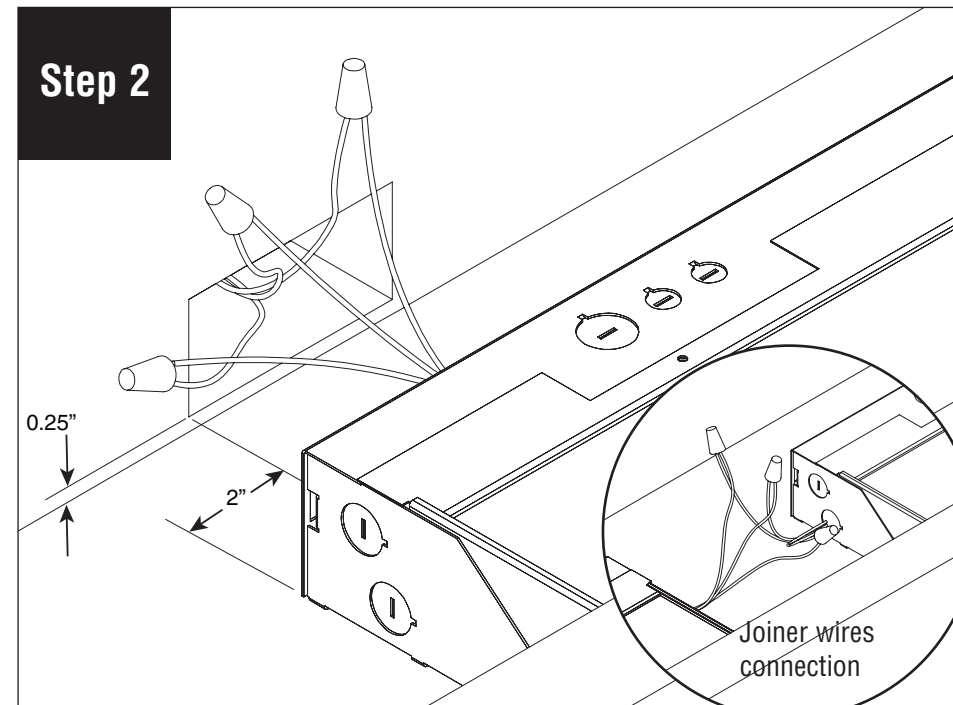
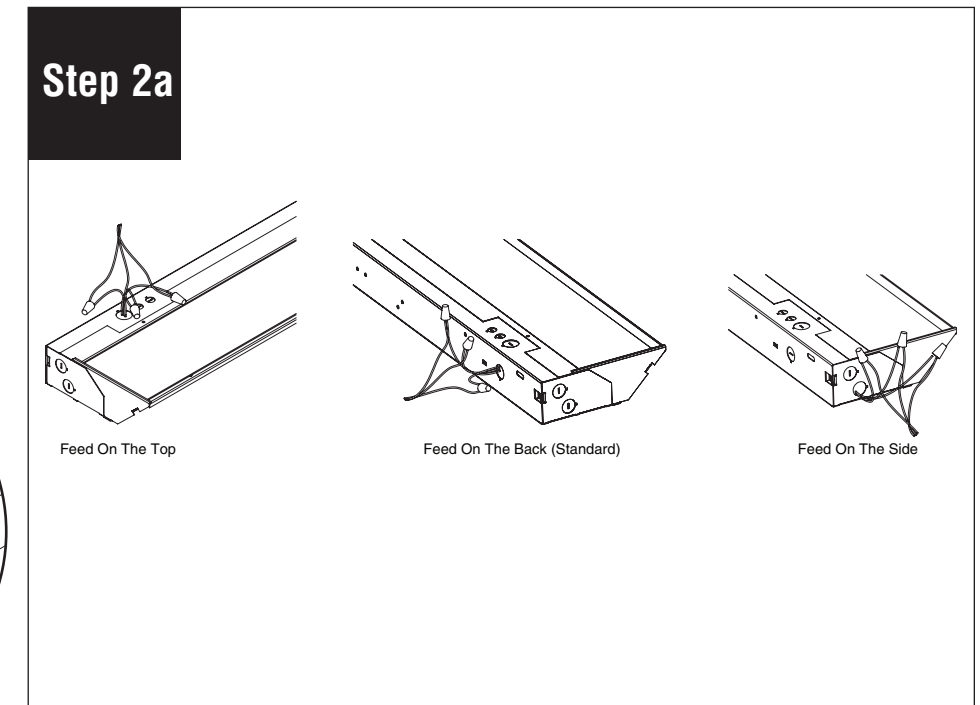


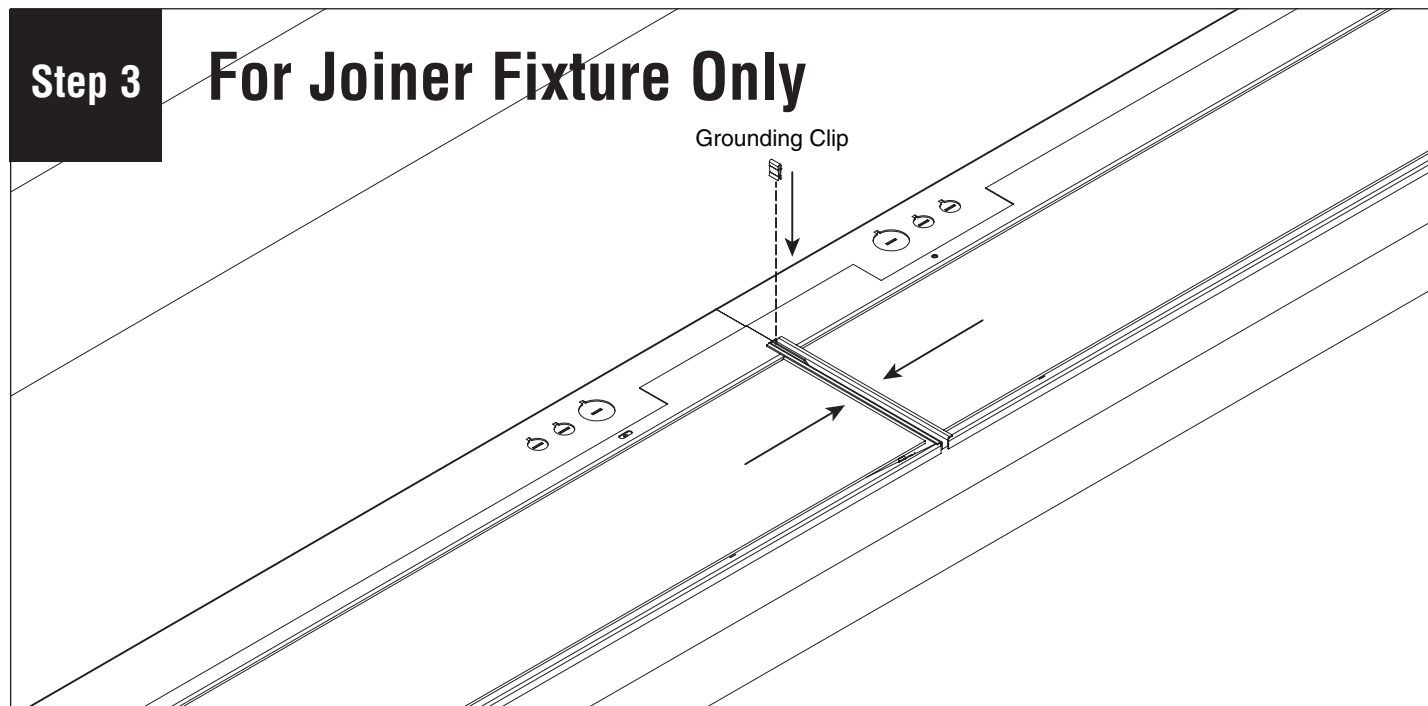
Step 1 Create an architectural cove with min. 8" X 2.75".



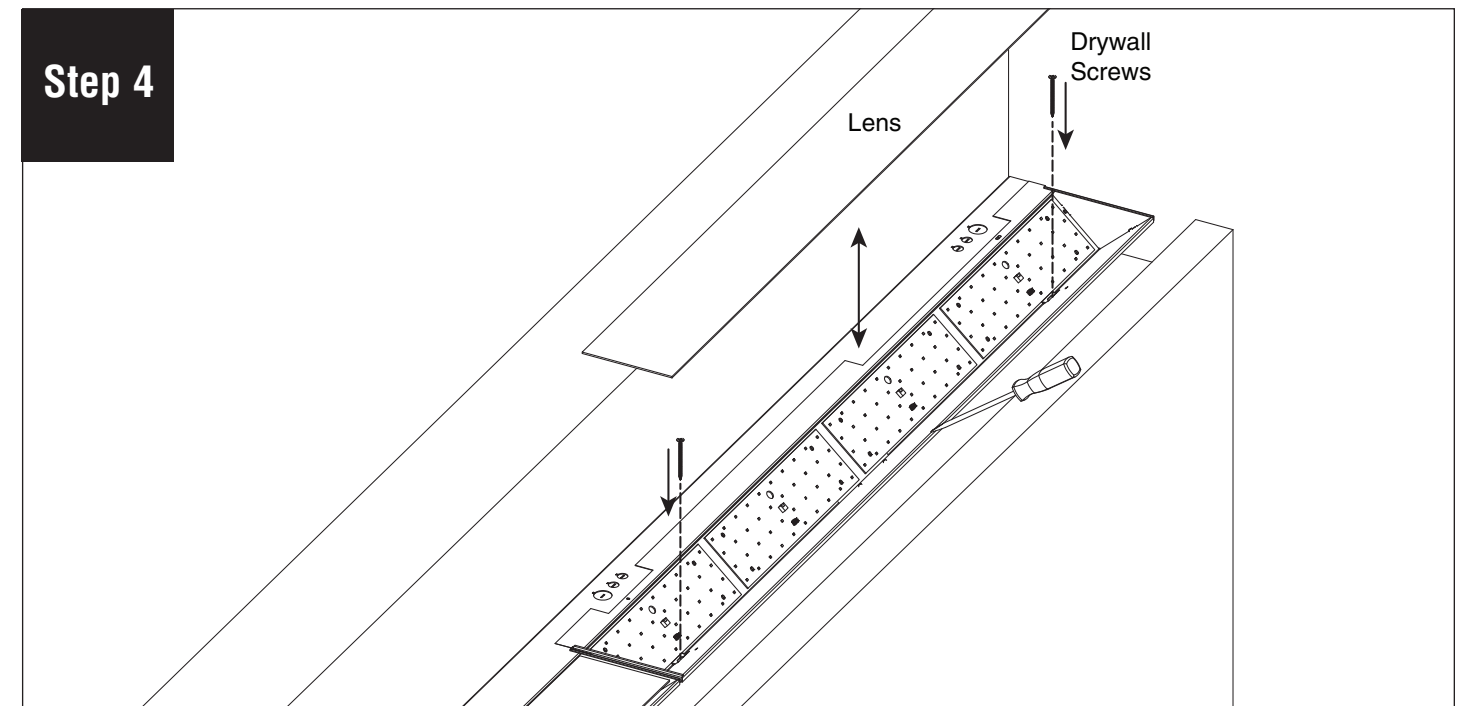
Step 2 Install J-box 2" from end of fixture and 0.25" from bottom of the cove. Connect fixture to power feed then push wires back inside the fixture.



Step 2a Power feeds may be located on top, back, or side of fixtures.

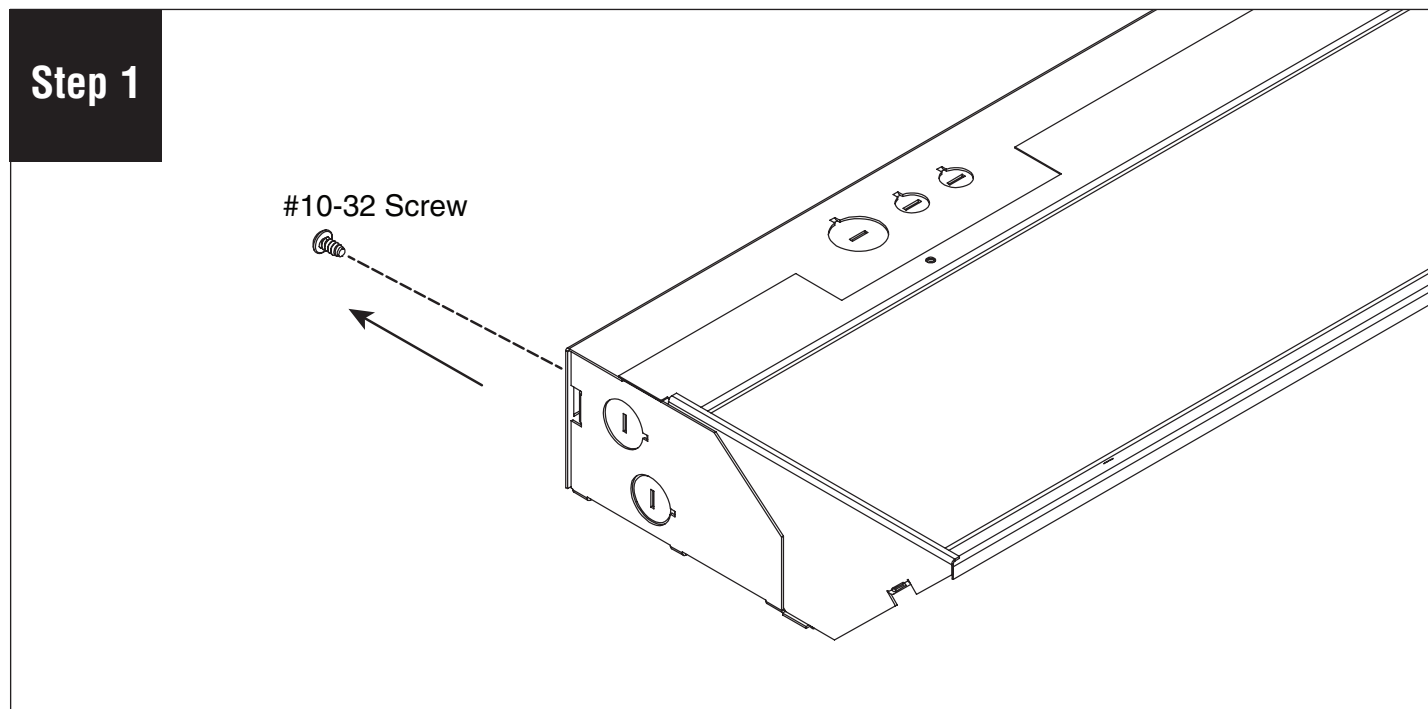


Step 3 For Joiner Fixture Only Connect joiner: Push joiner fixtures to starter and use provided grounding clip to attach endcaps.



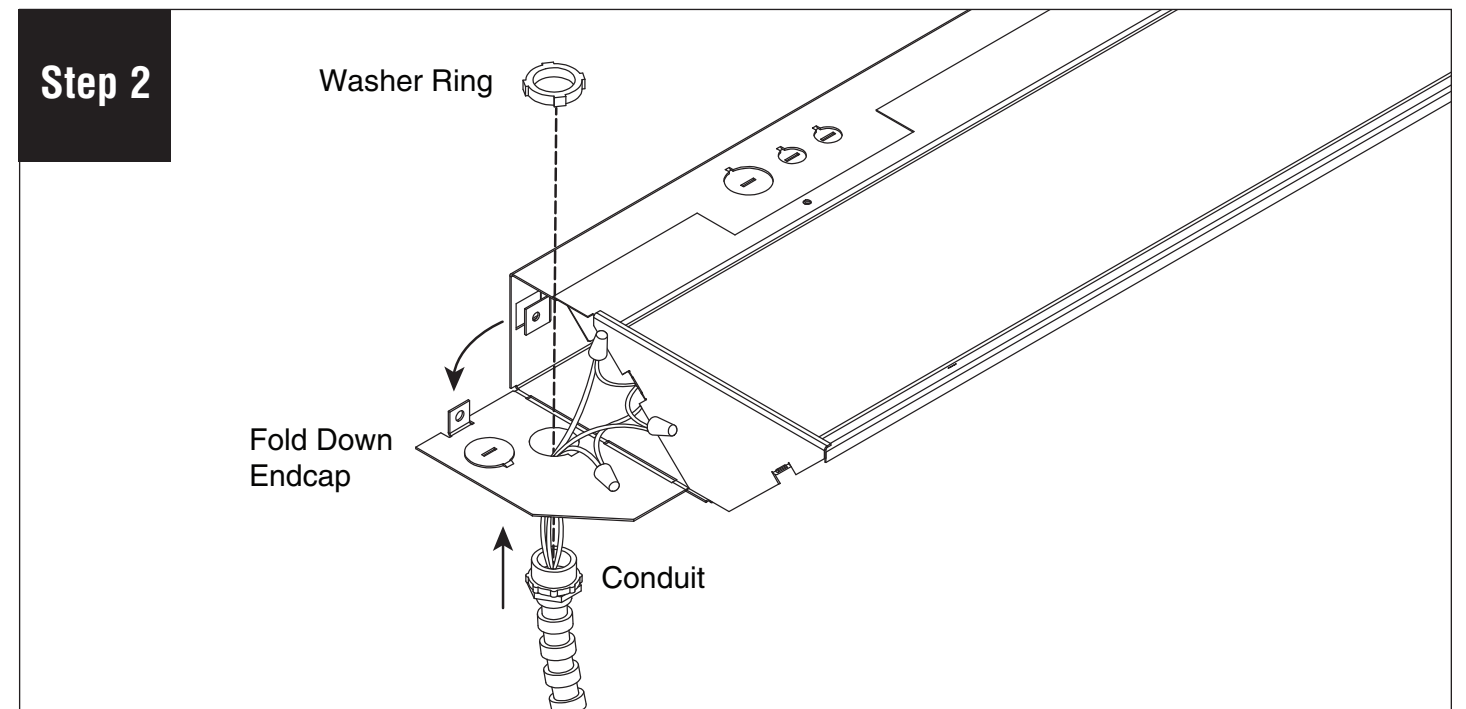
Step 4 Gently remove lens by slipping finger or screwdriver under the front edge and lifting. Use drywall screws to attach fixture to cove, providing appropriate backing. Replace lens and turn on power.

### Step 1



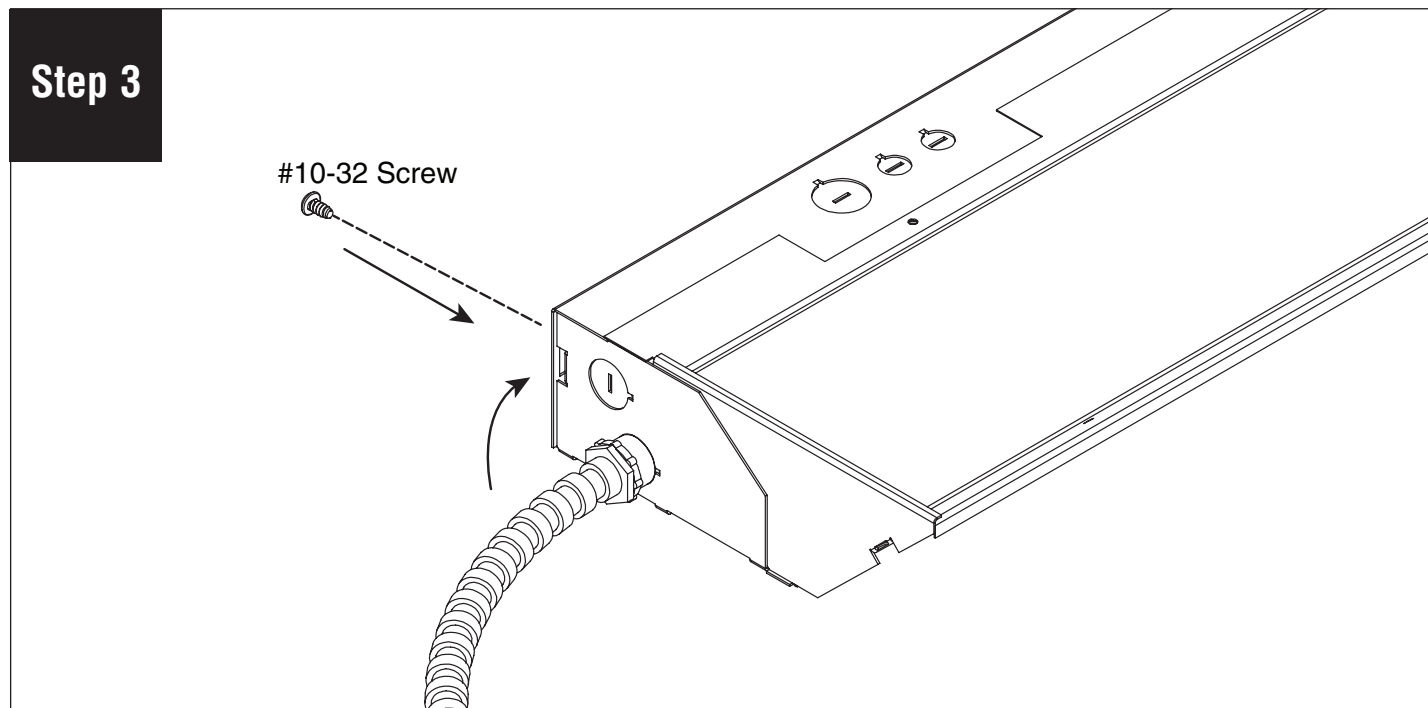
Remove screw from the back of the fixture.

### Step 2



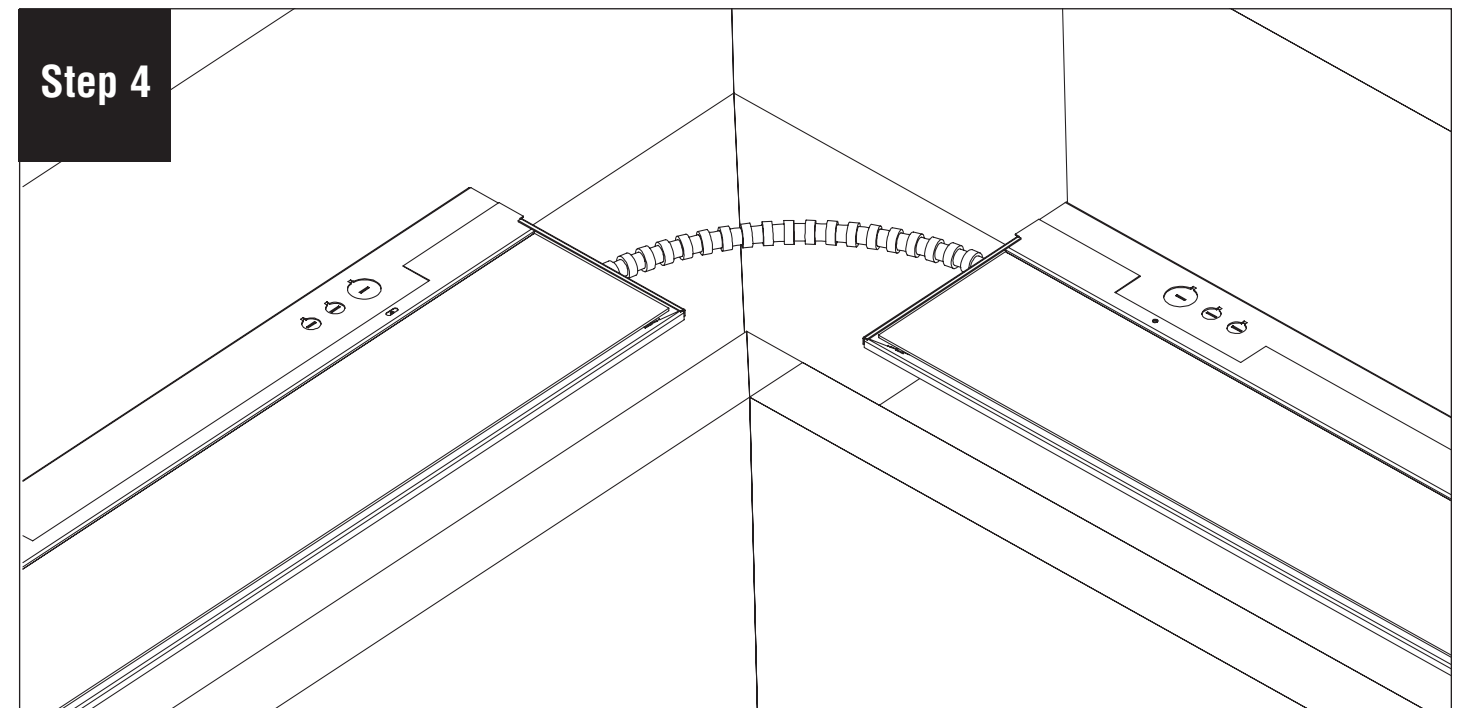
Fold down endcap. Remove knockout, make electrical connection, and install conduit per electrical code.

### Step 3



Fold up endcap and replace screw.

### Step 4



Repeat with other fixture and install in cove.