

FINELITE

Series 10 WM Joining Instructions

DO NOT ATTEMPT TO JOIN FIXTURES TOGETHER ON THE FLOOR. DAMAGE MAY RESULT WHEN LIFTED. FOLLOW THESE INSTRUCTIONS.

SURFACE MOUNT

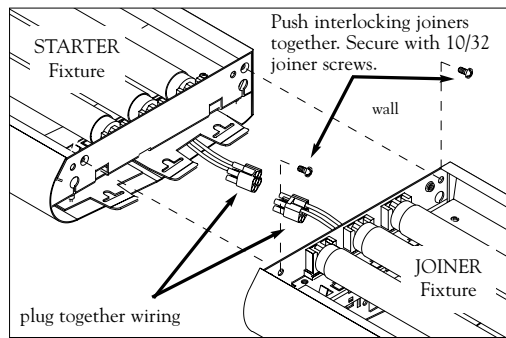


FIGURE A.

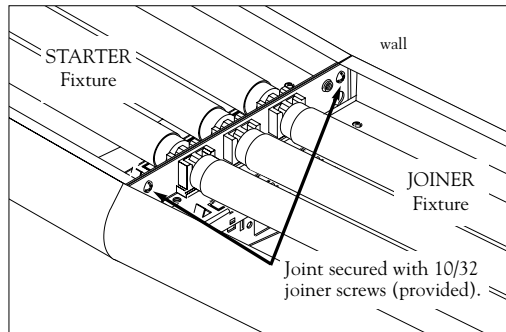


FIGURE B.

STEP 1. Follow Finelite instructions to install STARTER fixture.

STEP 2. Hold JOINER fixture up to wall. Connect plug-together wiring.

STEP 3. Slide JOINER into STARTER fixture.

STEP 4. Secure fixtures together with two joiner 10/32 screws (provided) to complete connection. **FIGURE B.**

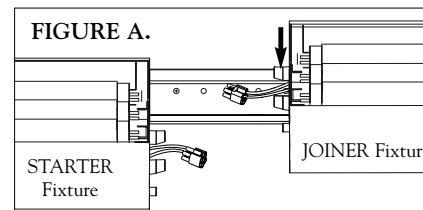
STEP 5. Secure JOINER fixture to wall studs as described in installation instructions.

FINAL CHECK-FIGURE B.

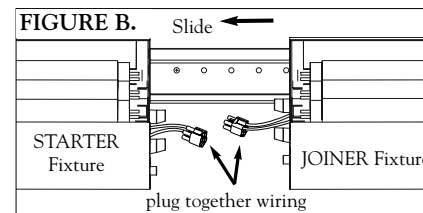
- Plug together wiring is connected.
- Two 10/32 screws have been installed between fixtures.

Repeat for remaining JOINER and ENDER fixtures to complete row.

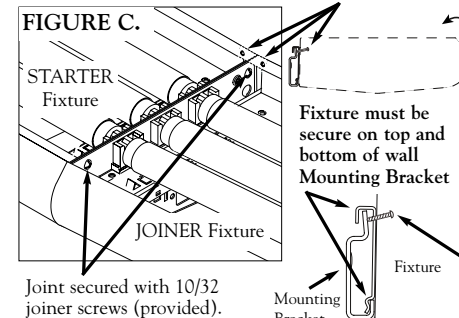
MOUNTING BRACKET



Push Joiner parallel to wall then down to catch top and bottom of fixture into wall bracket.



Rack adjustment 8/32 screws (inside) for leveling.



Joint secured with 10/32 joiner screws (provided).

STEP 1. Follow Finelite instructions to install Mounting Bracket and STARTER.

STEP 2. Hold JOINER fixture up to wall. Raise JOINER slightly above Mounting Bracket and holding fixture parallel to wall, slide fixture straight down to engage top and bottom edges in mounting bracket. **FIGURE A.**

STEP 3. Connect plug-together wiring. Slide JOINER into STARTER fixture.

STEP 4. Secure fixtures together with two joiner 10/32 screws (provided) to complete connection. **FIGURE B.**

STEP 5. Insert one 8/32 rack adjustment screw (provided) on each side of joint and thread into Mounting Bracket. Tighten /loosen to level fixture. **FIGURE C.**

FINAL CHECK-FIGURE C.

- Plug together wiring is connected.
- Two 10/32 screws have been installed between fixtures.
- Top and bottom of fixture and Mounting Bracket are correctly engaged. Rack adjustment 8/32 screws (inside) are secure.

Repeat for remaining JOINER and ENDER fixtures to complete row.