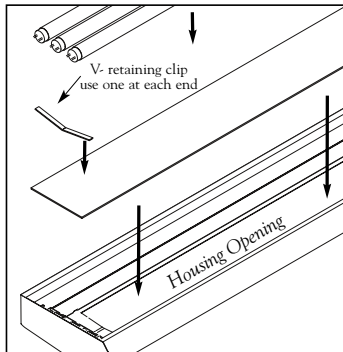


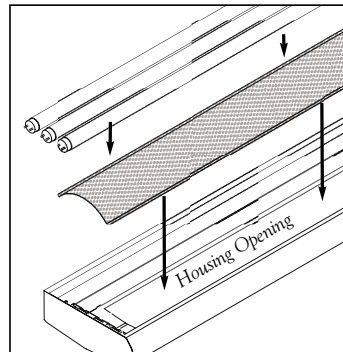
FINELITE

Series 10 Wall Mount Interchangeable Optics

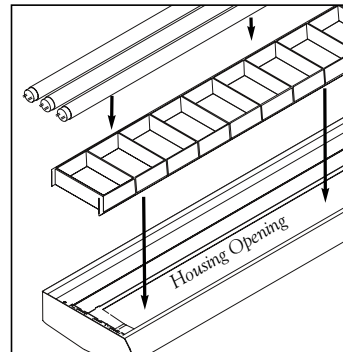
5 DOWNLIGHT SHIELDINGS



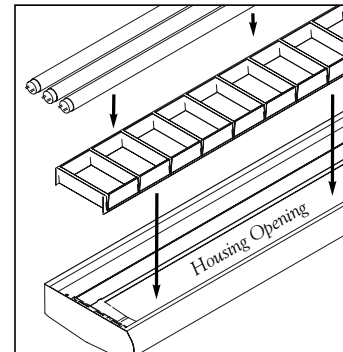
Shielding: A12 Diffuser



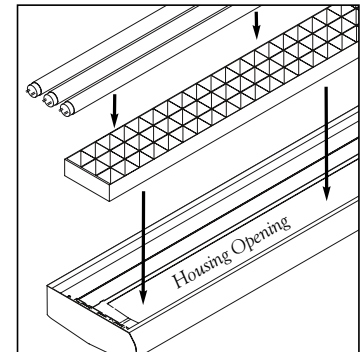
Shielding: Perf Shield



Shielding: White Cross Blade



Shielding: Parabolic Louver



Shielding: Paracube

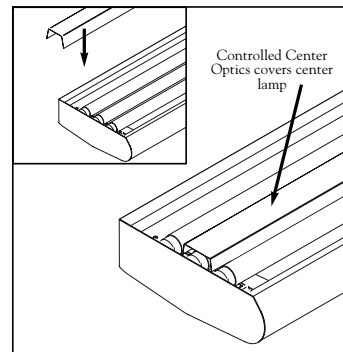
SHIELDING INSTRUCTIONS

1. Remove lamps from fixture.
2. Apply gentle pressure to the sides of the shielding and set into housing from top.
3. Ensure shielding sits down in fixture.
4. Replace lamps.
5. To remove shielding, reverse.

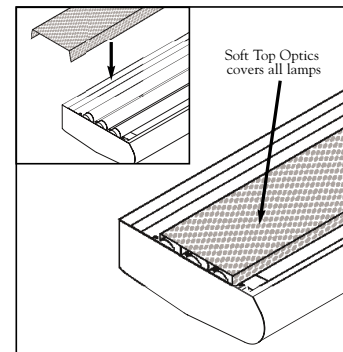
UPLIGHT OPTIC INSTRUCTIONS

1. Place optic top over lamps.
2. Apply gentle pressure to the sides and fit securely over lamps.

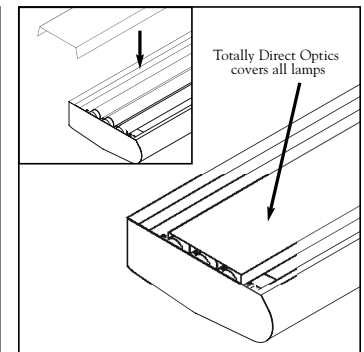
3 UPLIGHT CONTROL OPTIC ACCESSORIES



Uplight Optic: Controlled Center



Uplight Optics: Soft Top Optics



Uplight Optics: Totally Direct