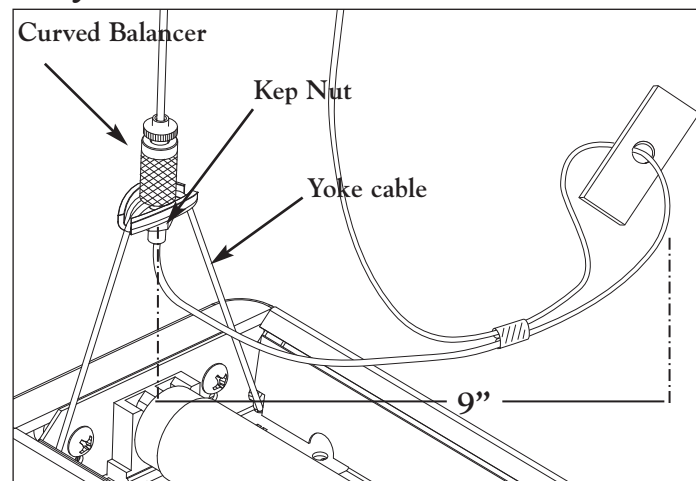


FINELITE

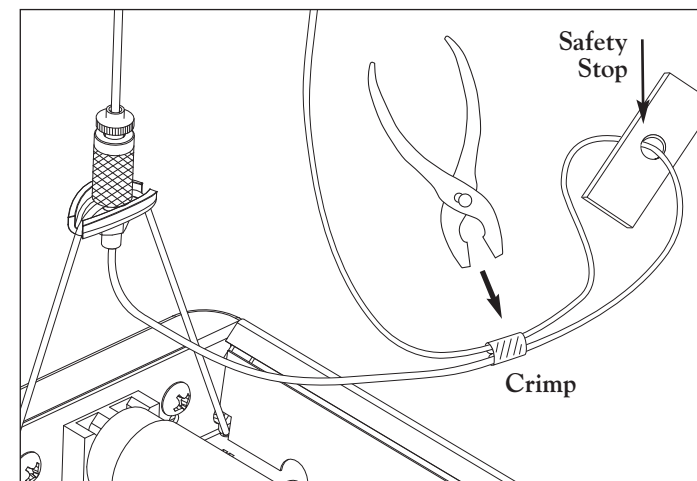
Series 18 Fully Adjustable Cable Instructions *

ADJUST & LEVEL



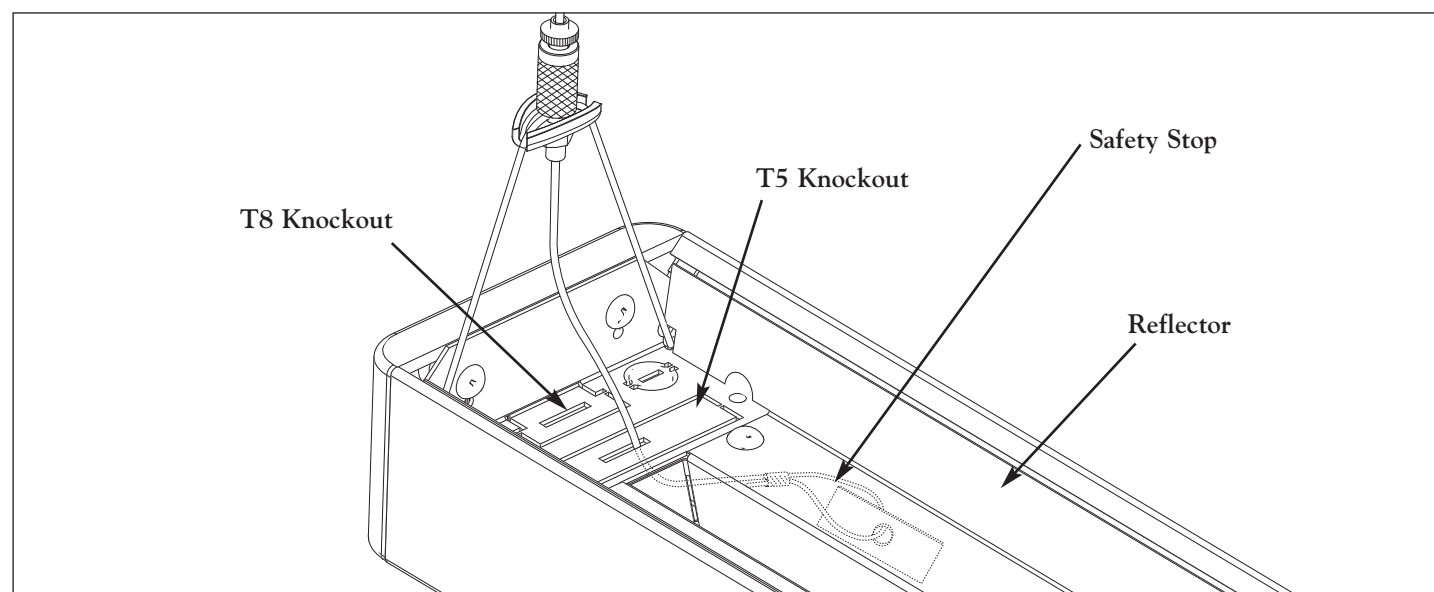
1. Loosen bottom kep nut and securely hook the yoke cable attached to the luminaire. Adjust yoke cable for side to side leveling. Lock by turning cable gripper securely until bottom kep nut fits tightly against slider.

SECURE & TRIM

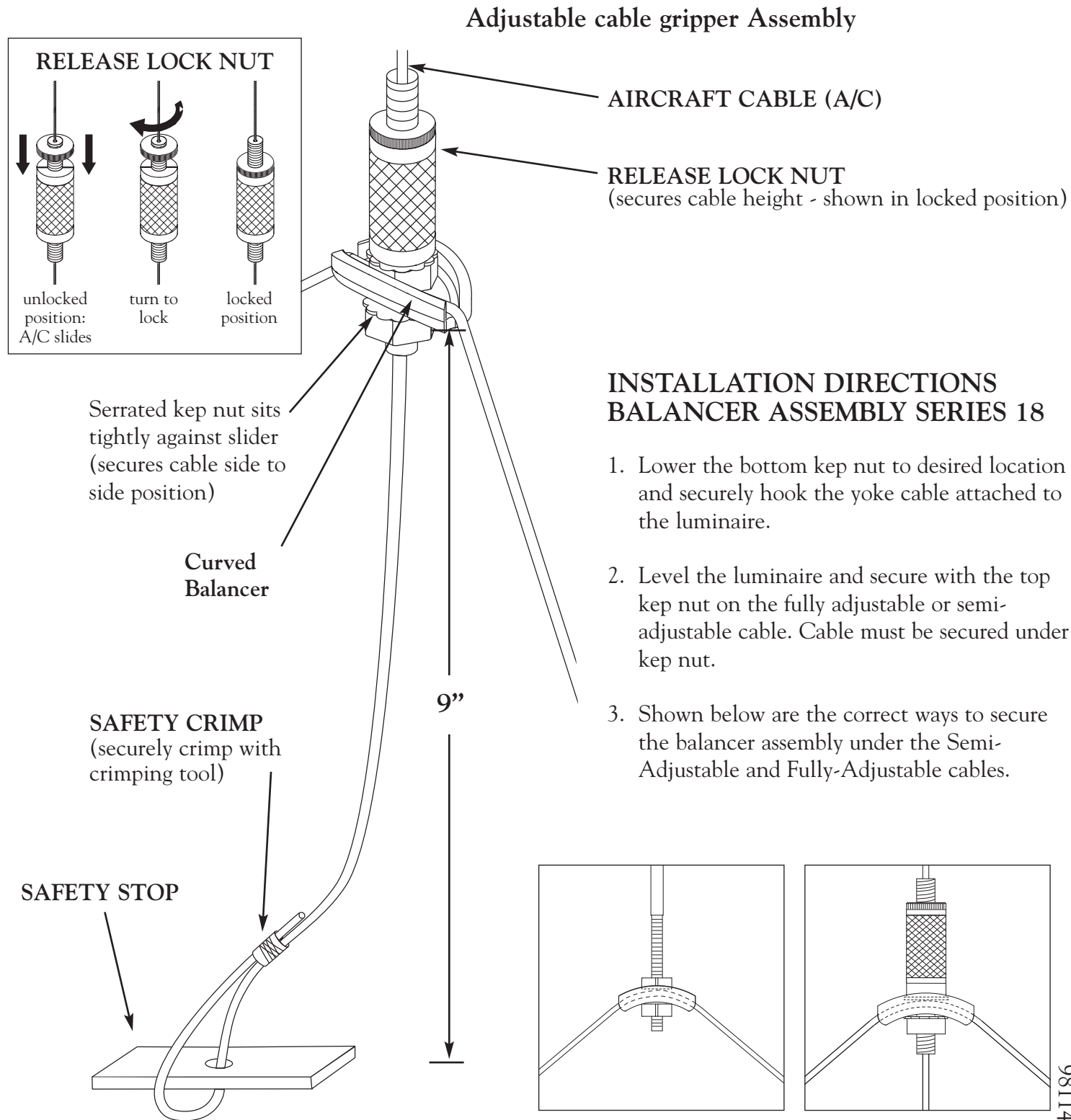
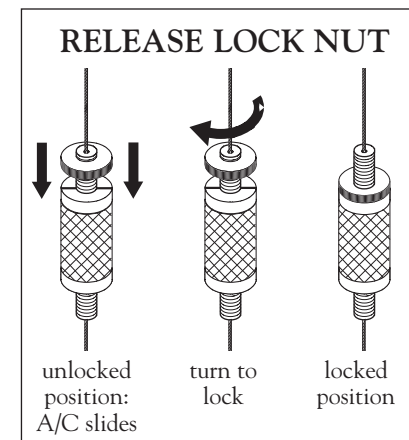


2. Unscrew release lock nut and depress to adjust cable height, retighten to lock. Slide Safety Stop and Safety Crimp up to cable to within 9" of cable gripper. Trim excess cable.

FINAL CHECK



3. Lower Safety Stop and excess cable beneath the reflector. In completed installation the release lock nut is screwed down, serrated kep nut is tight against slider and crimp has been secured. Safety Stop excess cable are securely inside fixture body beneath the reflector. NOTE: For T5 lamps use T5 Knockout. For T8 lamps use T8 Knockout.



INSTALLATION DIRECTIONS BALANCER ASSEMBLY SERIES 18

1. Lower the bottom kep nut to desired location and securely hook the yoke cable attached to the luminaire.
2. Level the luminaire and secure with the top kep nut on the fully adjustable or semi-adjustable cable. Cable must be secured under kep nut.
3. Shown below are the correct ways to secure the balancer assembly under the Semi-Adjustable and Fully-Adjustable cables.

98114 10/11