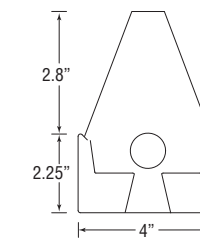


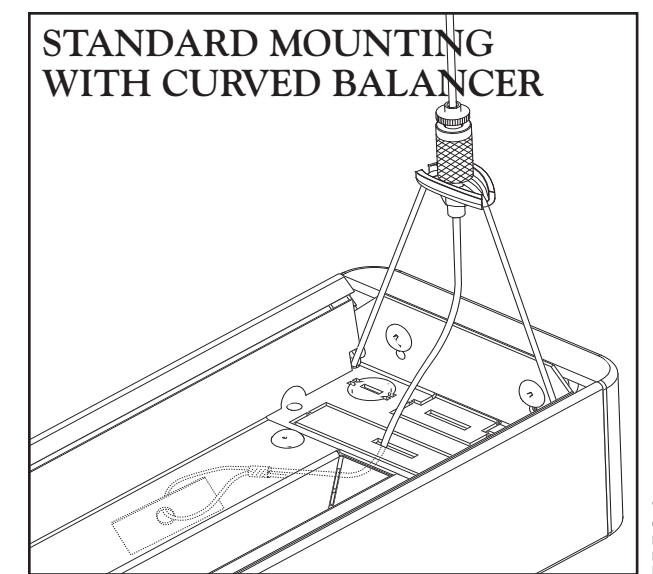
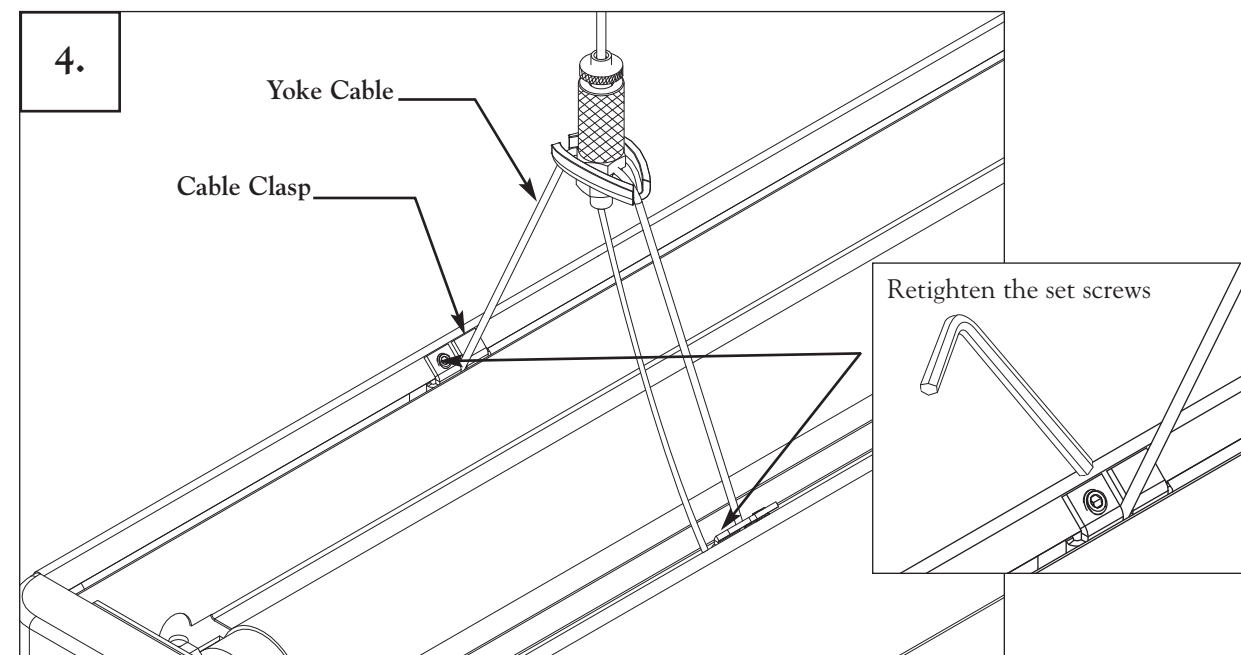
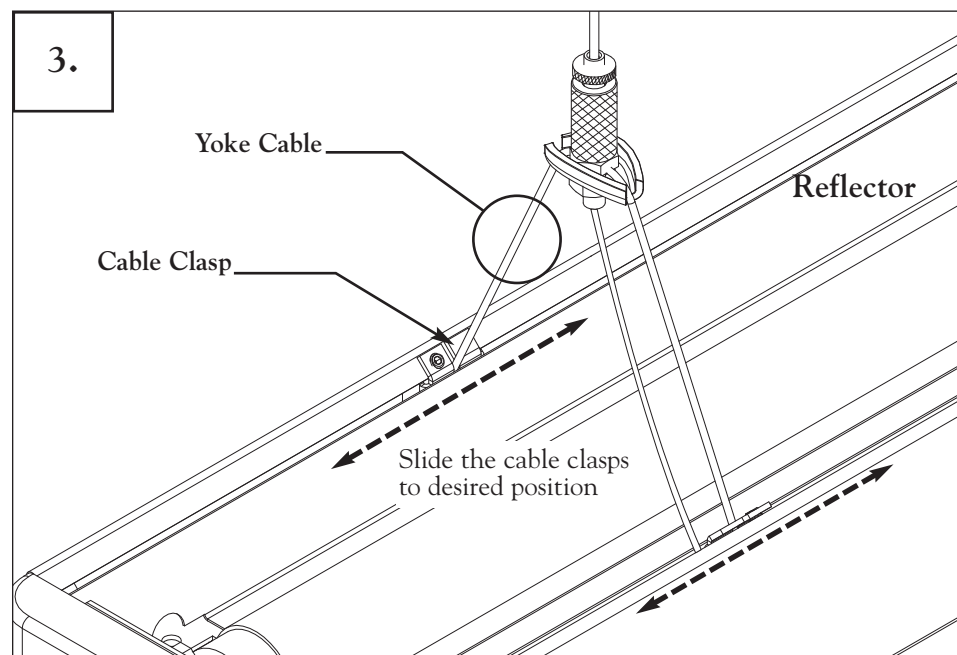
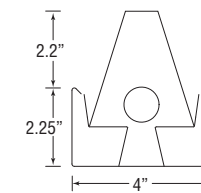
### FLEXIBLE MOUNTING WITH CURVED BALANCER

1. To adjust the position of the mounting point, use the 1/16 allen wrench (provided) to loosen cable clasp set screws without removing it (**Figure A**).
2. Pull on the yoke cable to keep tension and to hold the cable clasp in place (to prevent from falling down into the fixture). Note: If fixture is already in place and hanging, this step will not be necessary.
3. Slide the cable clasps to desired position while keeping tension.
4. Retighten the set screws.

Flexible Mounting



Standard Mounting



**NOTE:** Cable clasps, set screws and yoke cable come pre-installed