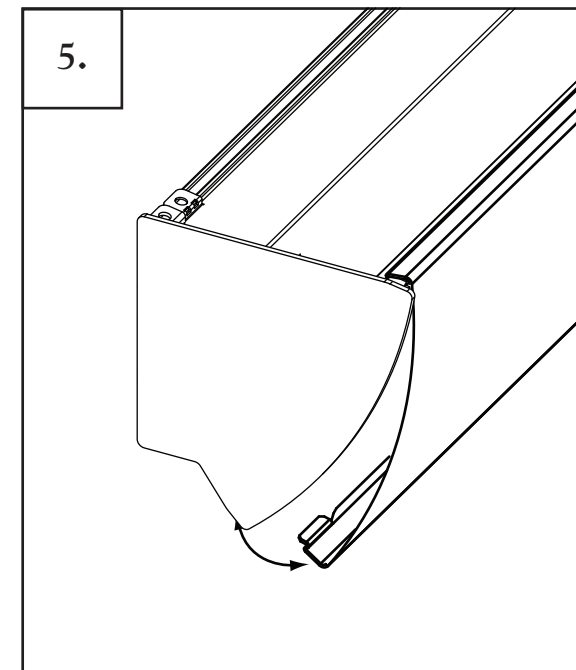
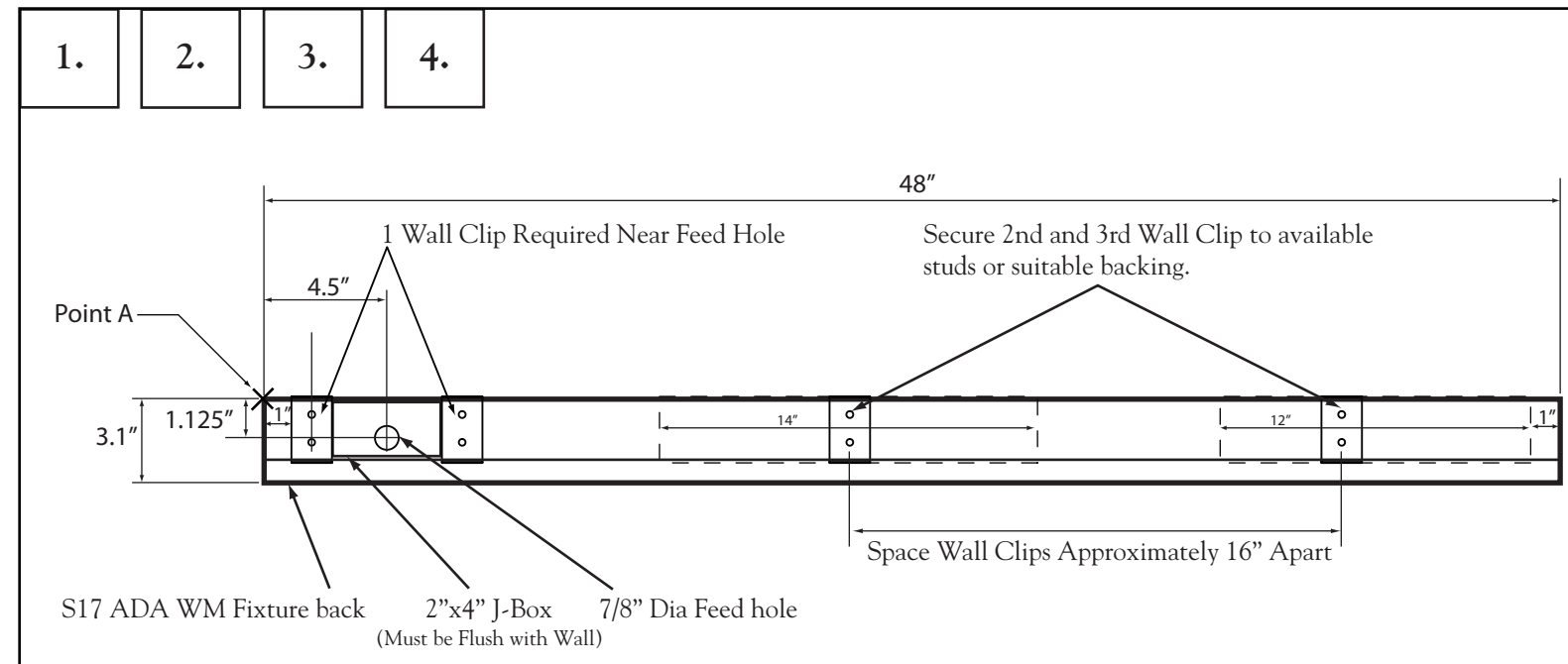


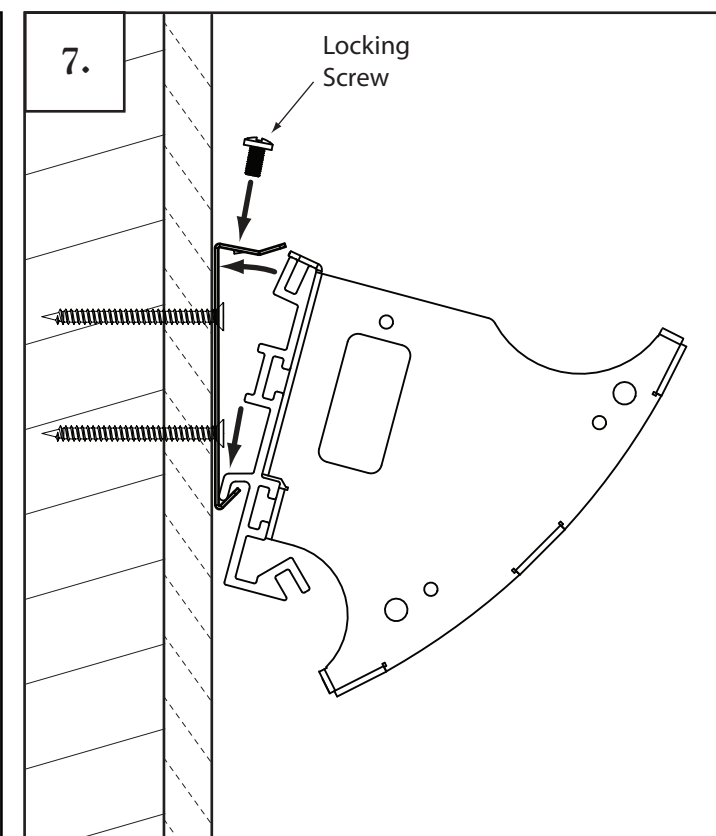
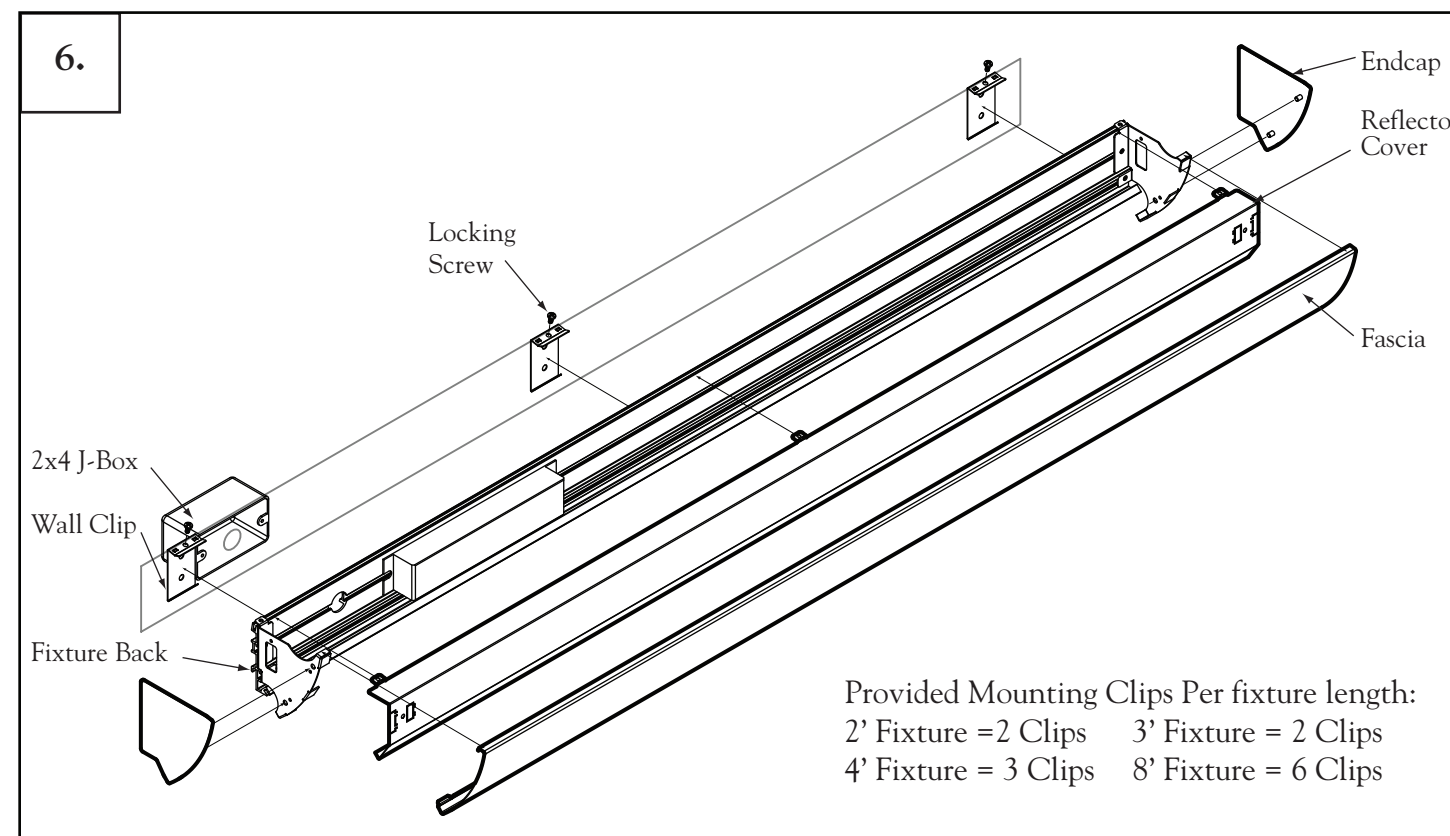
FINELITE

Series 17 ADA Wall Mount Instructions



INSTRUCTIONS

1. Position fixture on the wall in desired location. Mark on wall the point where the endcap and the fixture body meet. This is Point A. Remove fixture.
2. Determine feed location by measuring a horizontal line 4.5" from point A toward center of fixture, then 1.125" down from luminaire top. Mark this spot for the feed. Install 2x4 J-Box (must be flush to the wall) over feed location and align top of box with Point A. Leave 8"-10" of power wire exposed.
3. Position first wall clip so top is 1/16" above Point A. Mark wall clip location. Position additional wall clips at distances and locations indicated in drawing and mark their locations.
4. Attach wall clips to stud or provide suitable backing. Be sure brackets are level. Use (2) #10 or #12 x 1.5" long screws per bracket.
5. Remove fascia cover by carefully flexing fascia away from end brackets.
6. Remove lamps, reflector cover, and endcaps.
7. Hold fixture back at slight angle and tip and lock into wall clips (making sure to slip feed wire through feed hole in fixture back). Once fixture is aligned secure with locking screw (provided).
8. Make needed wiring connections. Replace reflector cover, endcaps, lamps, and fascia.

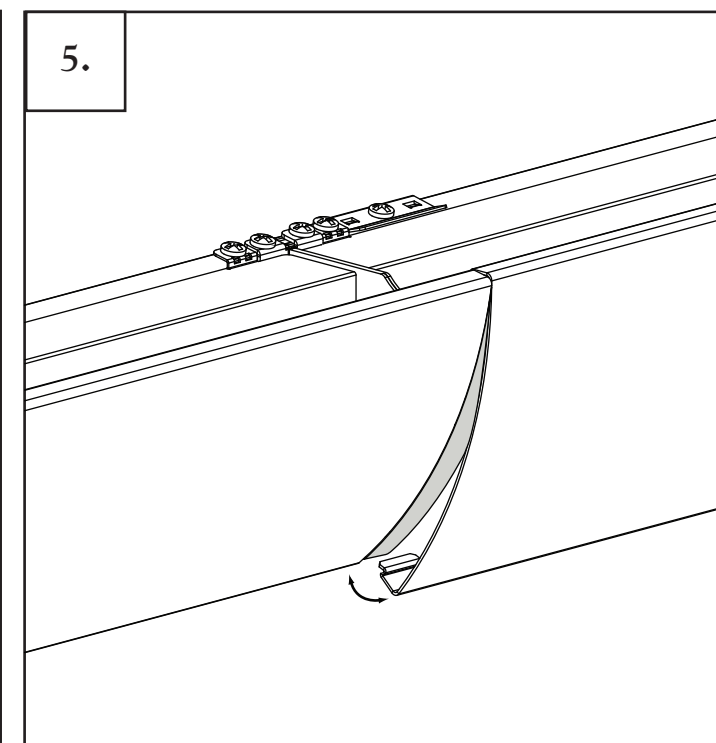
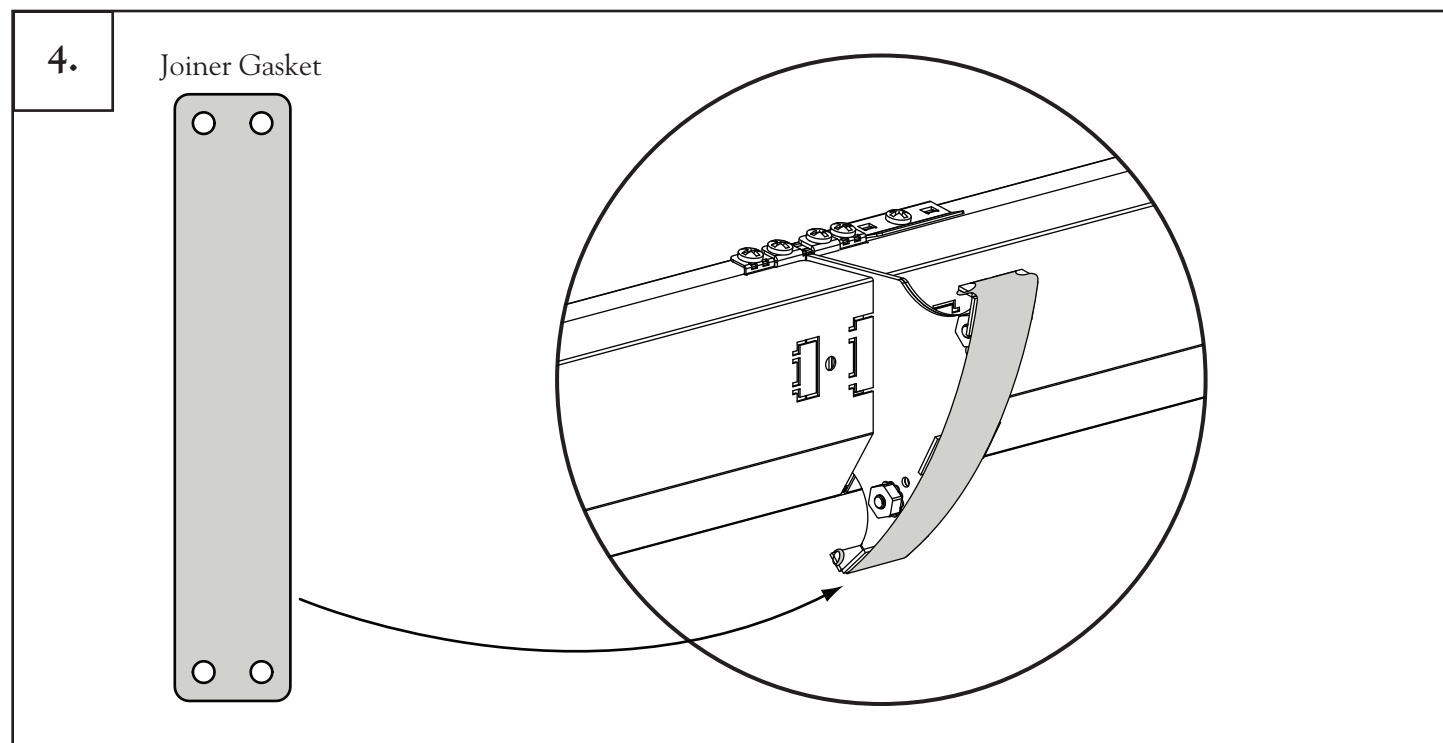
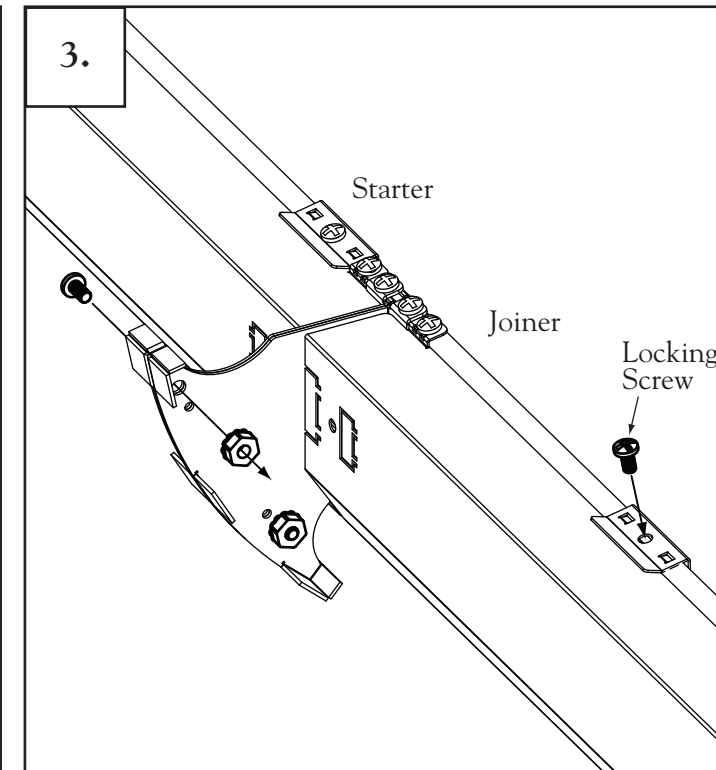
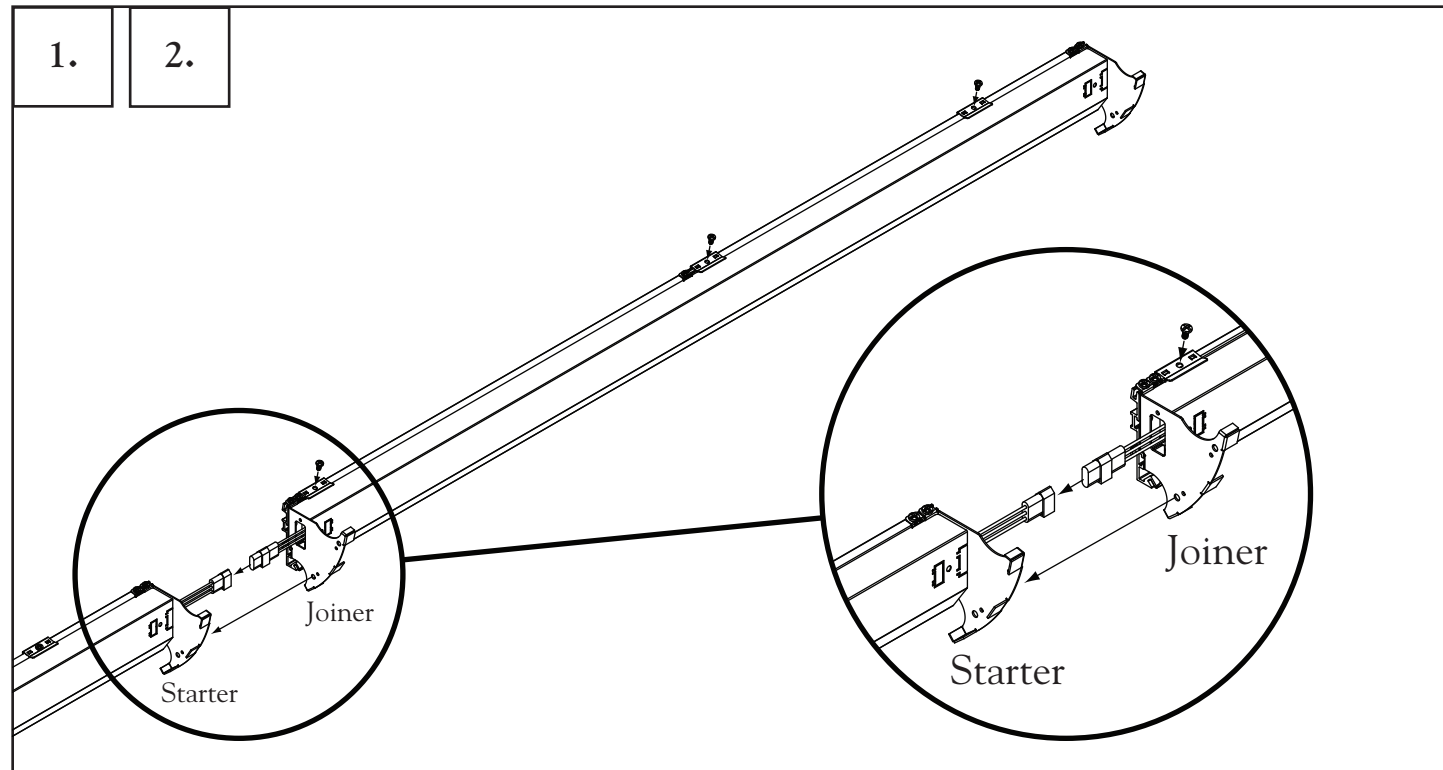


NOTE: All power connections to be installed to local/national codes by a certified electrician.

Series 17 ADA Wall Mount Installation Instructions

FINELITE

Series 17 ADA Wall Mount Instructions - Joining



INSTRUCTIONS

1. Follow Finelite S17 ADA WM installation instructions to install the STARTER fixture.
2. Install the required wall clips to the wall for the additional fixtures (into a stud or use suitable backing).
3. Hold JOINER fixture up to the wall and connect the plug-together wiring. Join the two luminaires together. Tilt and lock fixture in place to wall clips.
4. Secure the two luminaires together using two 10/32 screws and kep nuts (provided). Once in place, insert locking screw into wall clip to lock fixture in place.
5. Make sure joiner gasket is in place on all bracket assemblies. Simply hook the holes over the top and bottom tabs to hold it in place. Replace any reflector covers, endcaps, and lamps at this time.
6. Replace all fascia covers (start with the two outermost fascias first that are next to an endcap) by carefully flexing fascia towards end brackets.

NOTE: All power connections to be installed to local/national codes by a certified electrician.

Series 17 ADA Wall Mount Joining Installation Instructions