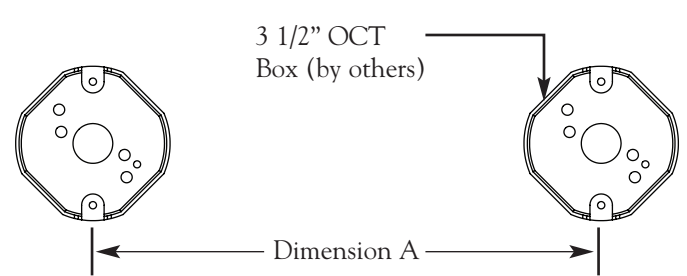


1. Boxes must be orientated as shown for mounting brackets to function properly



3 1/2" OCT Box (by others)

Dimension A

Fixture Length	Dimension A
2ft. Independent	31.0"
4ft. Independent	55.0"
8ft. Independent	106.25"

2.

PN: 62550
#6-32 x 3/16
Philips Screw
2x Per Stem
(Mount Bracket to Fixture)

PN: 68213
2X Set Screws
6-32 x 3/16"

3 1/2" OCT Box and
Screws (by others)

PN: 68047
4" Steel Canopy with
Attached Slip Ring

PN: 68212
Wall Stem
Pivot Bracket

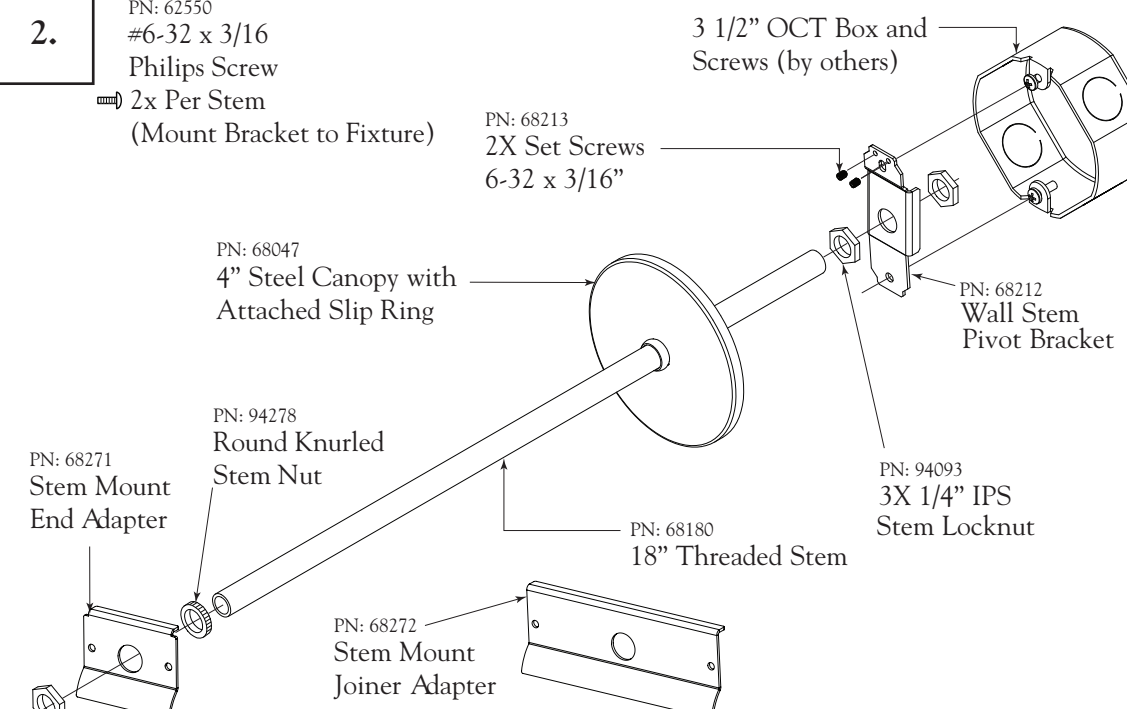
PN: 94093
3X 1/4" IPS
Stem Locknut

PN: 68180
18" Threaded Stem

PN: 94278
Round Knurled
Stem Nut

PN: 68271
Stem Mount
End Adapter

PN: 68272
Stem Mount
Joiner Adapter



INSTRUCTIONS

1. Install junction boxes to structure as shown. All power in junction box should be turned off during installation.
2. Assemble stem components as shown and attach to J-Box.
3. (A) Insert power wires into stem and feed into J-Box. (B) Pivot fixture onto stem adapter and (C) secure 2x #6-32 x 3/16 locking screws (provided), using #2 Philips Screw Driver.
4. Tighten the top J-Box screws on each wall stem pivot bracket until level. Once they are level use a 1/16" hex key to lock the 2x set screws on each bracket. Complete wiring splice inside J-Box. Slide canopy to cover J-Box and lock set screw.
5. Turn on power to fixture to test proper function.

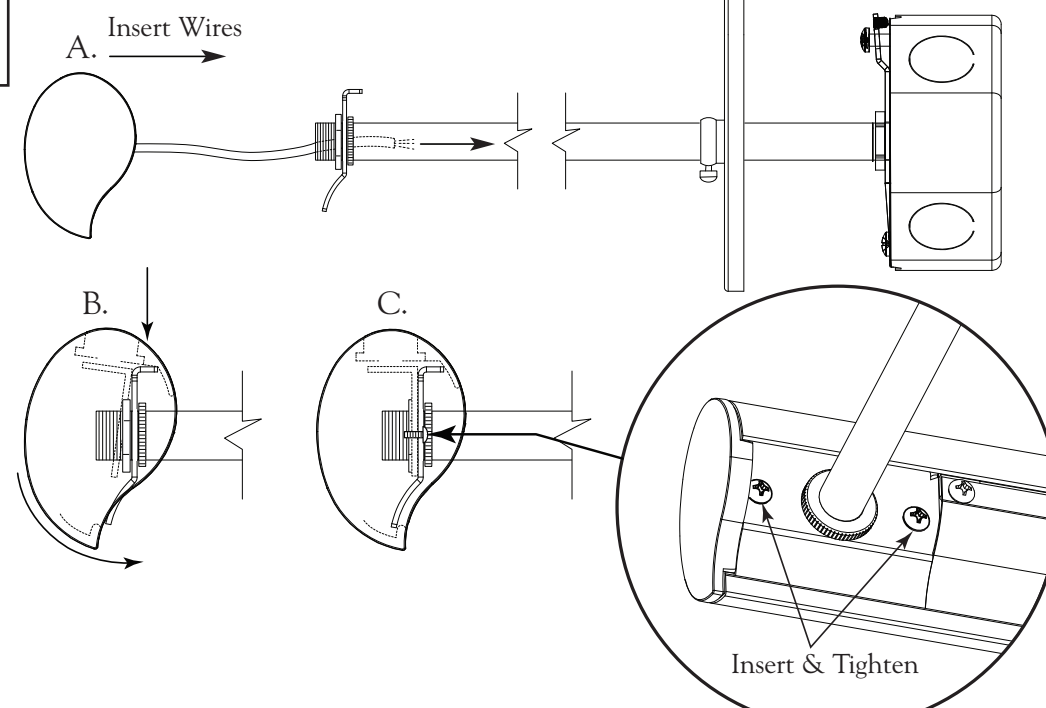
3.

A. Insert Wires

B.

C.

Insert & Tighten



4.

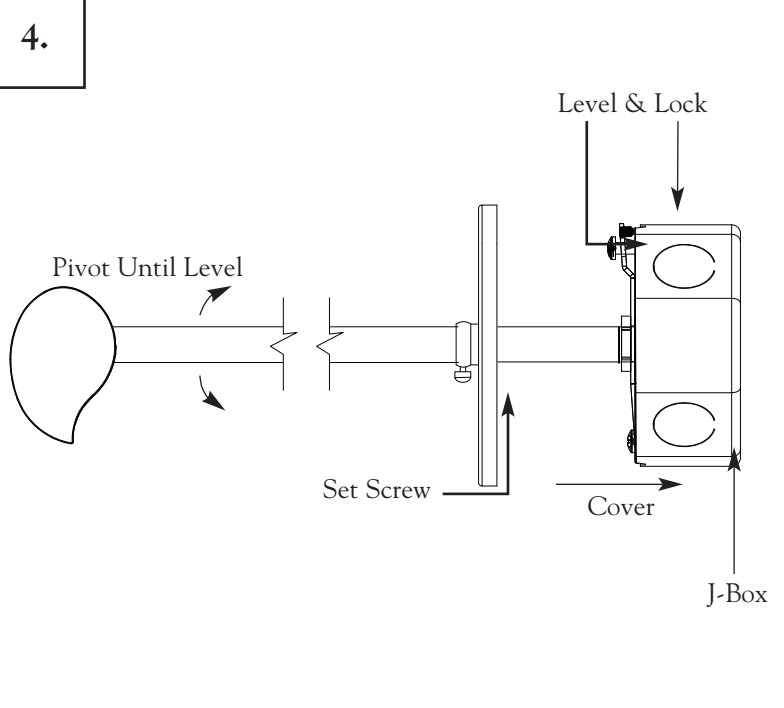
Level & Lock

Pivot Until Level

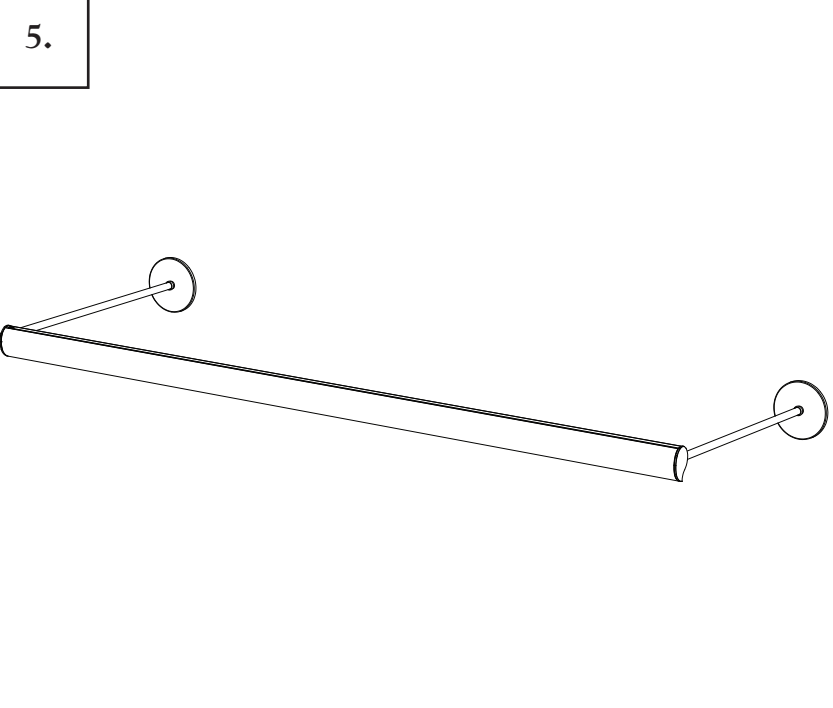
Set Screw

Cover

J-Box



5.



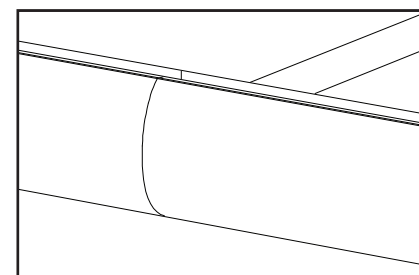
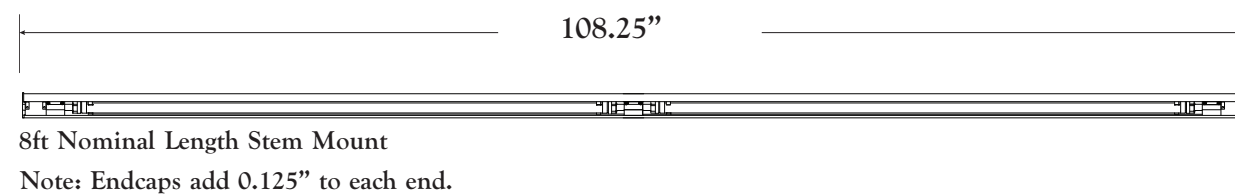
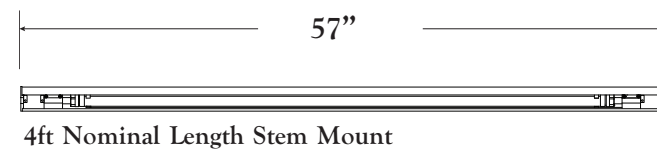
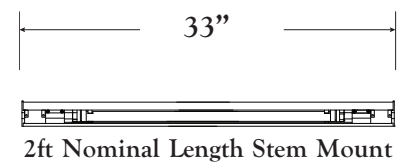
NOTE: All power connections to be installed to local/national codes by a certified electrician.

Install Junction Boxes into wall using proper backing.
Boxes must be orientated as shown for mounting brackets to function properly.

3 1/2" OCT Box (by others)

Fixture Length	Dimension A	Dimension B
2ft.	32"	33"
4ft.	56"	57"
8ft.	107.25"	108.25"

Muro Oval Stem Mount Fixture Lengths



A wall support stem should be at each joint for fixture runs.

Follow Finelite Muro installation instructions to install the STARTER fixture.

1. Connect plug together wires.
2. Push fixtures together. Secure locking fastener and #8 kep nut with 11/32" nut driver.
3. Mount joiner cover with 2x #6 screws using #2 Phillips screw driver. (Repeat steps 1-3 for each additional fixture in run until completed)

