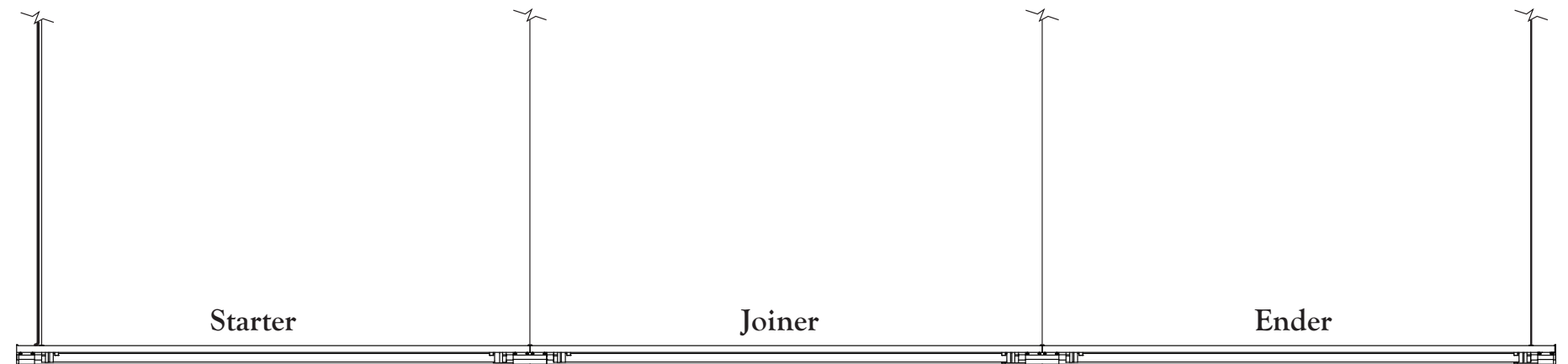
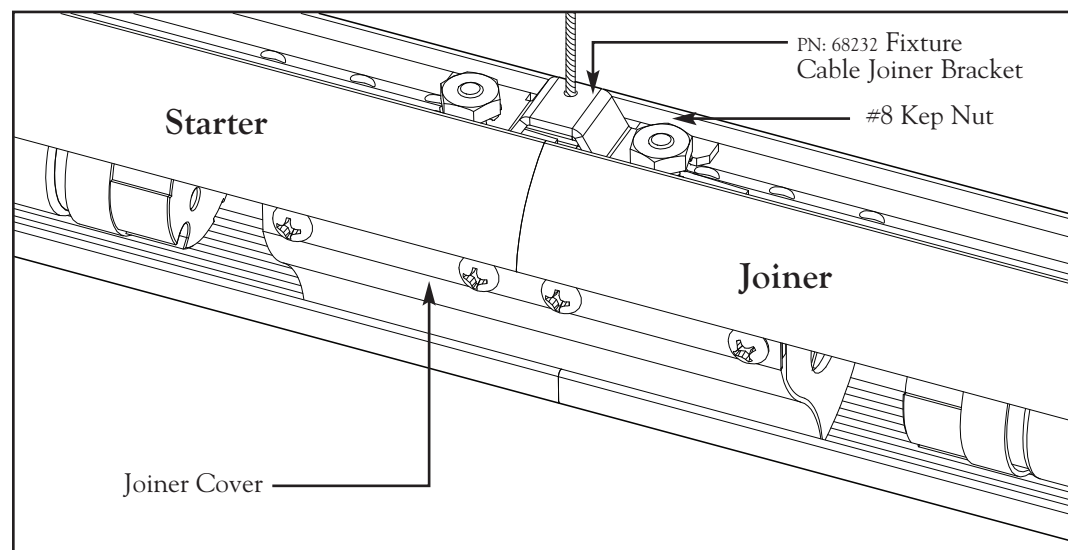


INSTRUCTIONS

Follow Finelite Muro installation instructions to install the STARTER fixture.

1. Feed aircraft cable through the fixture cable joiner bracket.
2. Connect Plug together wires.
3. Push joiner plate towards back of the fixture to lock in place.
4. Push fixtures together. Secure locking fastener and #8 kep nut with 11/32" nut driver.
5. Mount joiner cover with 4x #6 screws using #2 Phillips screw driver. (Repeat steps 1-5 for each additional fixture in run until completed)



NOTE: All power connections to be installed to local/national codes by a certified electrician.