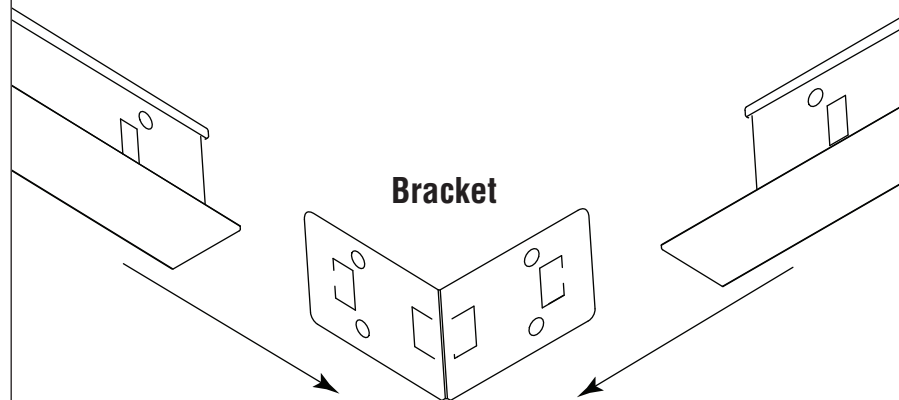
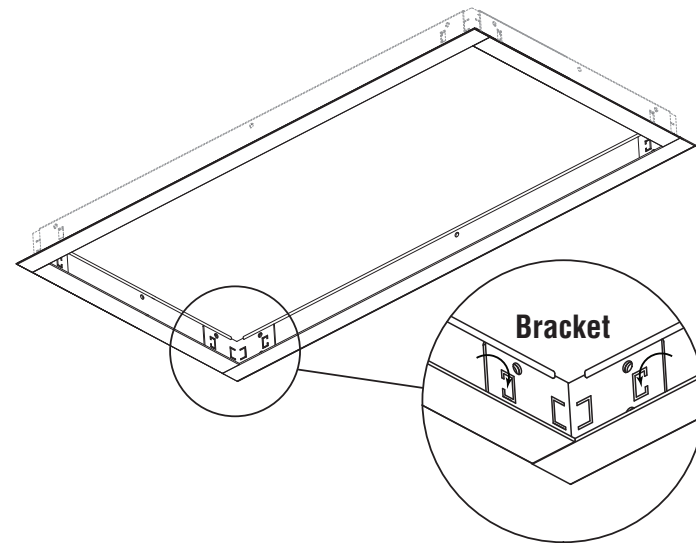


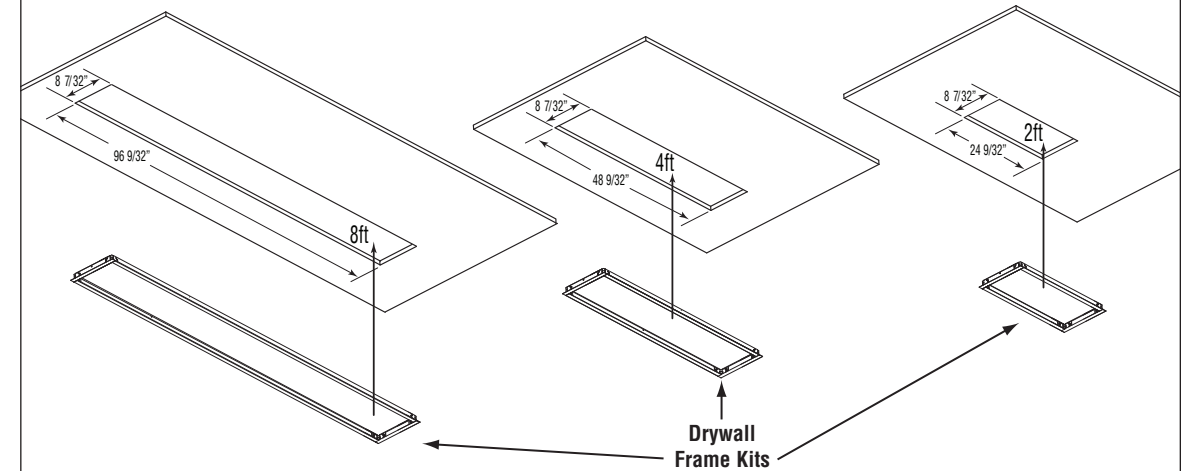
Step 1 Slide frame pieces onto the bracket.



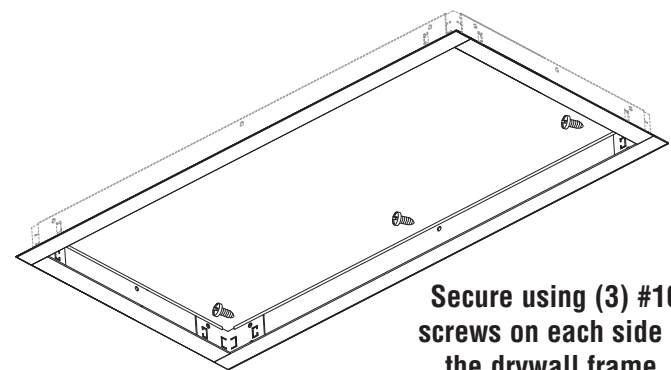
Step 2 Secure by pushing two tabs slightly inward to lock in place.



Step 3 Using proper backing, cut out the dimensions as noted below for the 2', 4', 8' HPW luminaire. Install drywall frame kit in ceiling.



Step 4 Fasten drywall frame kit to backing using a proper fastener through holes in the drywall frame kit.



Secure using (3) #10 screws on each side of the drywall frame.
2', 4' (12 total)
8' (16 total)

Step 5 Install luminaire - Refer to additional installation instructions.

