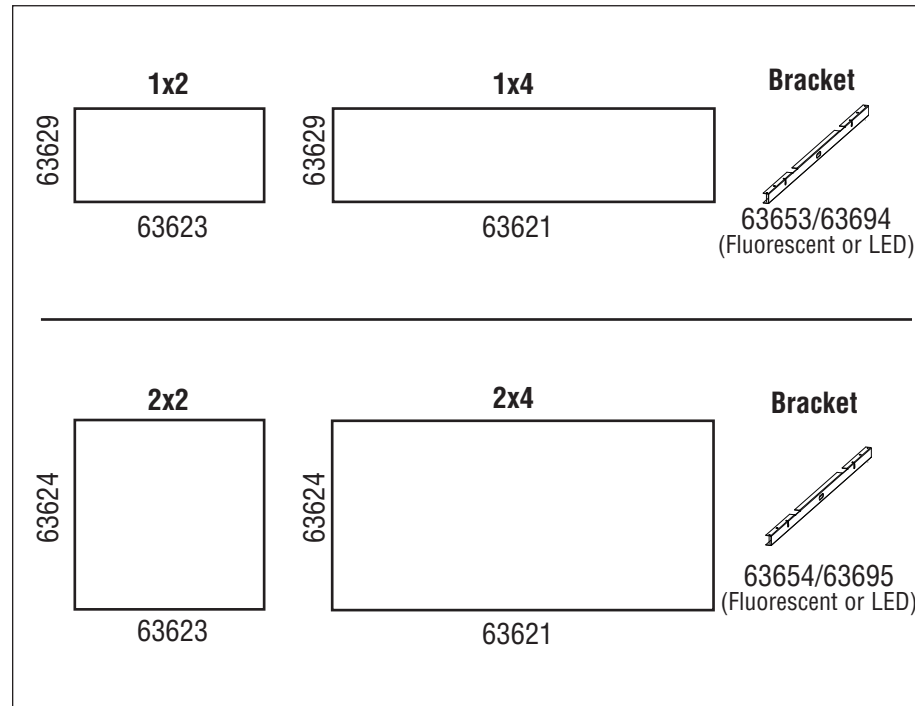
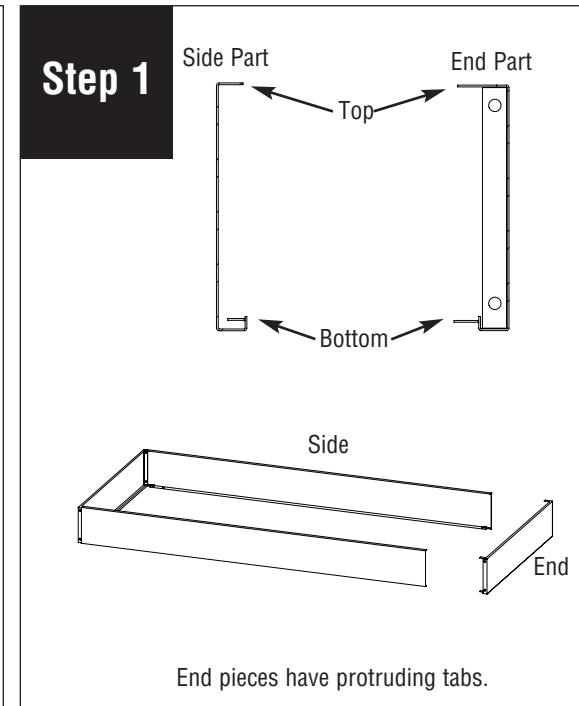


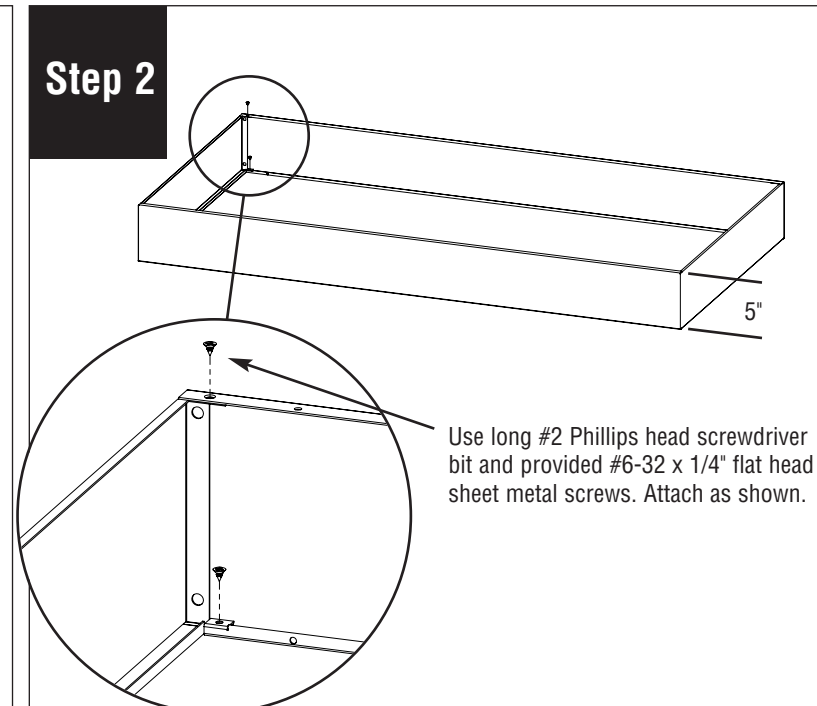
HPR Surface Mount Kit Installation Instructions



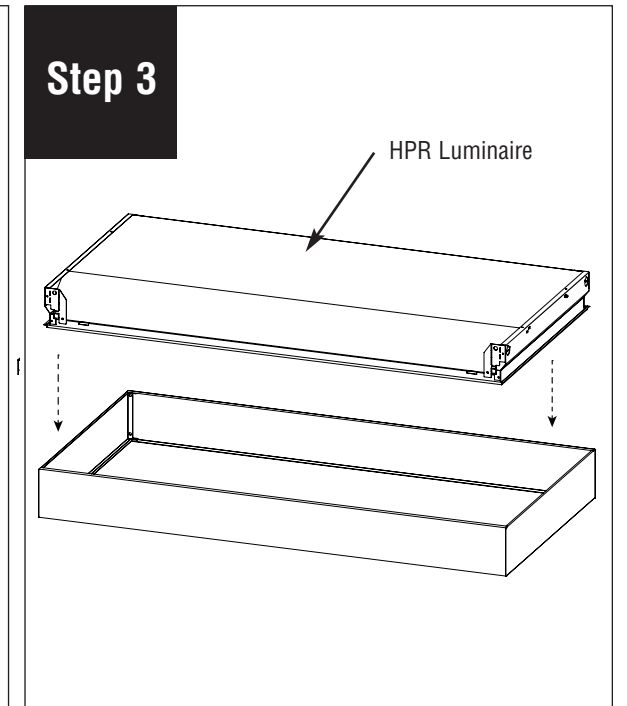
Surface Mount Kit part numbers



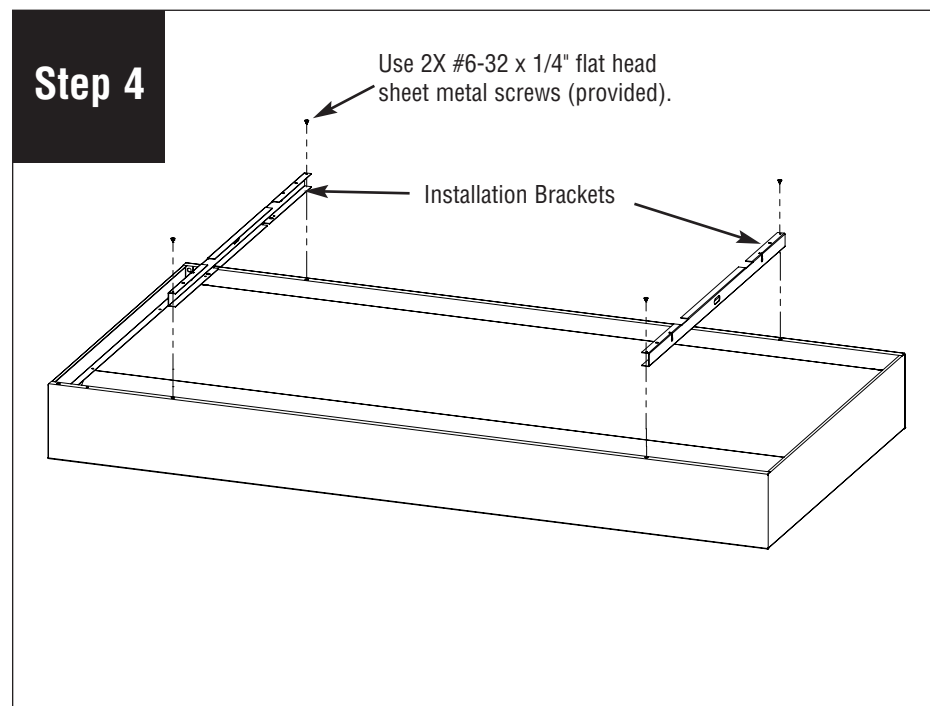
Unpack and identify parts. Fit parts together.



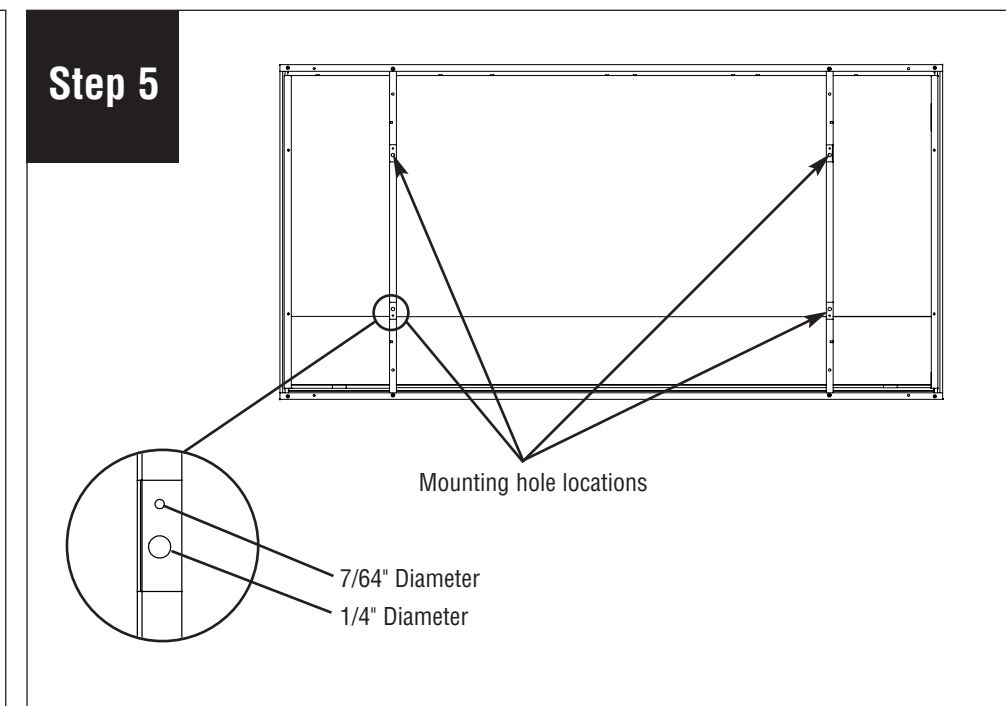
Attach parts of kit together using 2X provided #6-32 x 1/4" flat head sheet metal screws at each corner. Attach as shown.



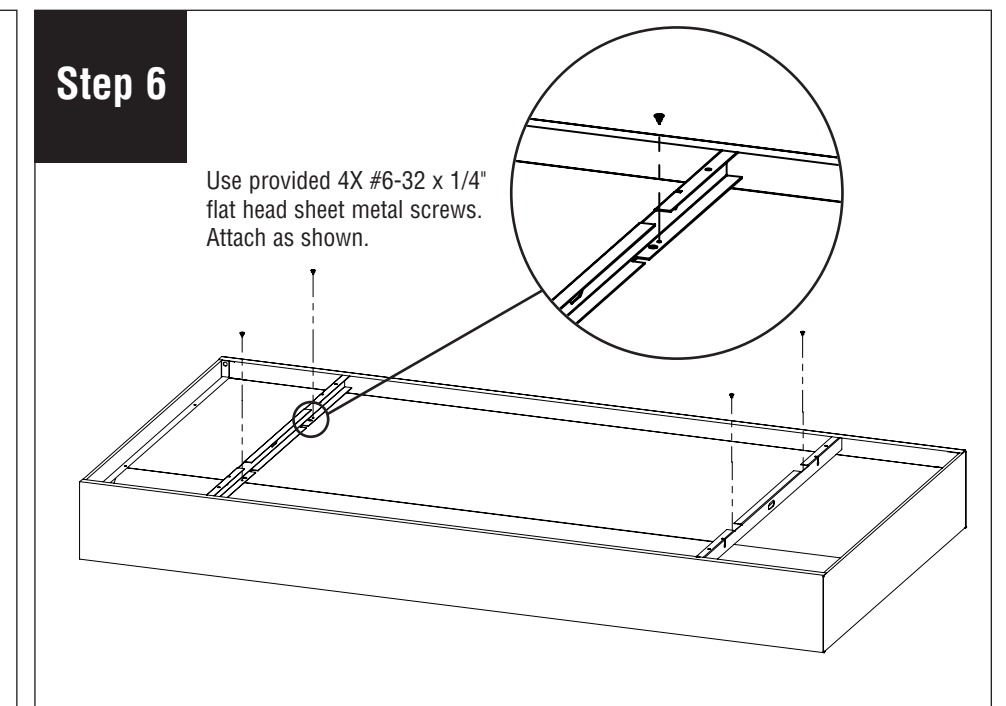
Place luminaire in assembled kit, making sure bottom of luminaire sits flush with bottom of box.



Install brackets to secure luminaire to surface mount kit. Use 2X provided #6-32 x 1/4" flat head sheet metal screws per bracket.



Drill 8X holes for mounting, using brackets as a guide.



Attach metal brackets to body by using 4X #6-32" flat head sheet metal screws. Proceed with attached installation instructions.

Note: All power connections to be installed to local/national codes by a Certified Electrician.