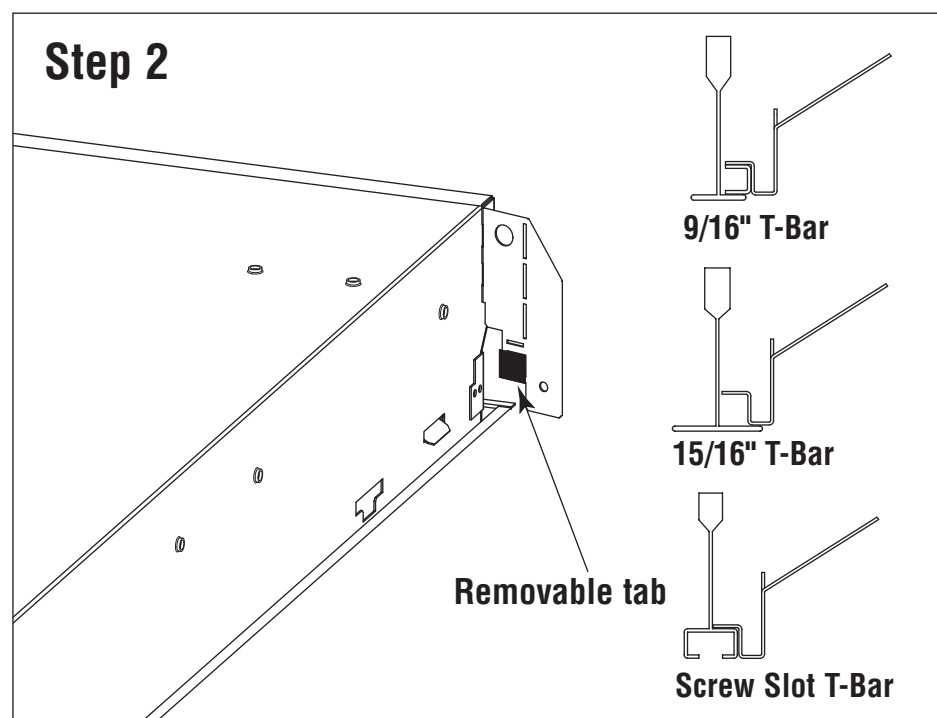
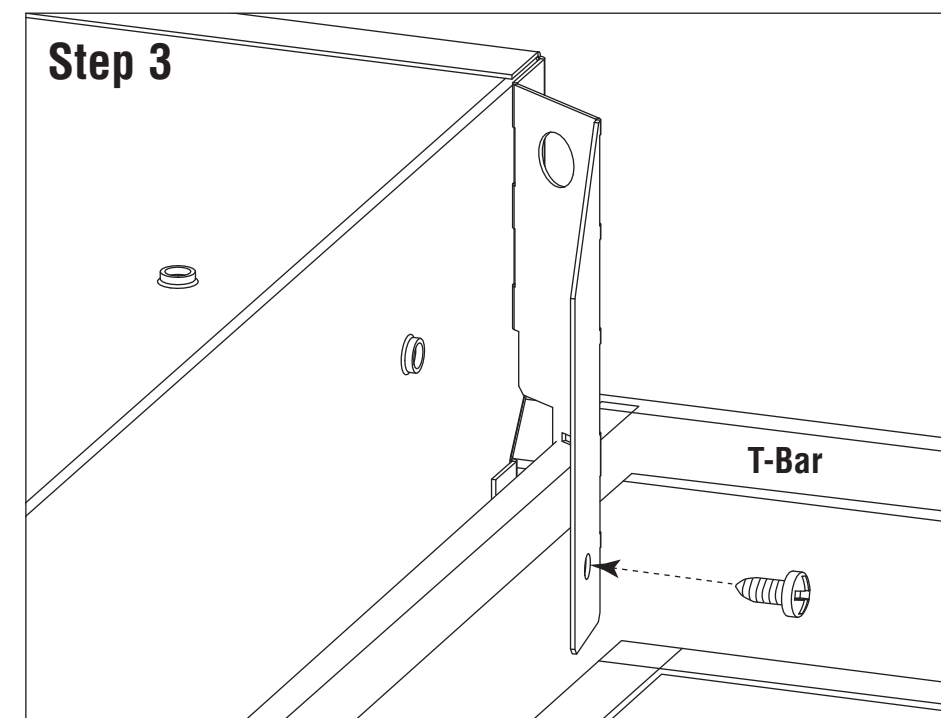


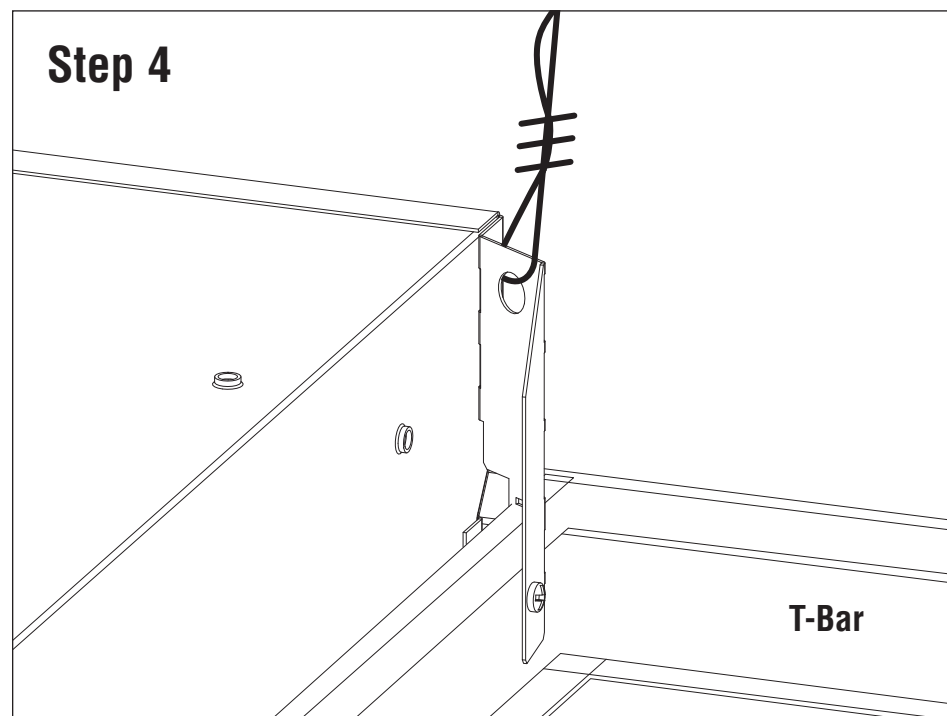
Step 1 Prior to installation on T-Bar rotate the 4 tabs outward from the body 90 degrees.



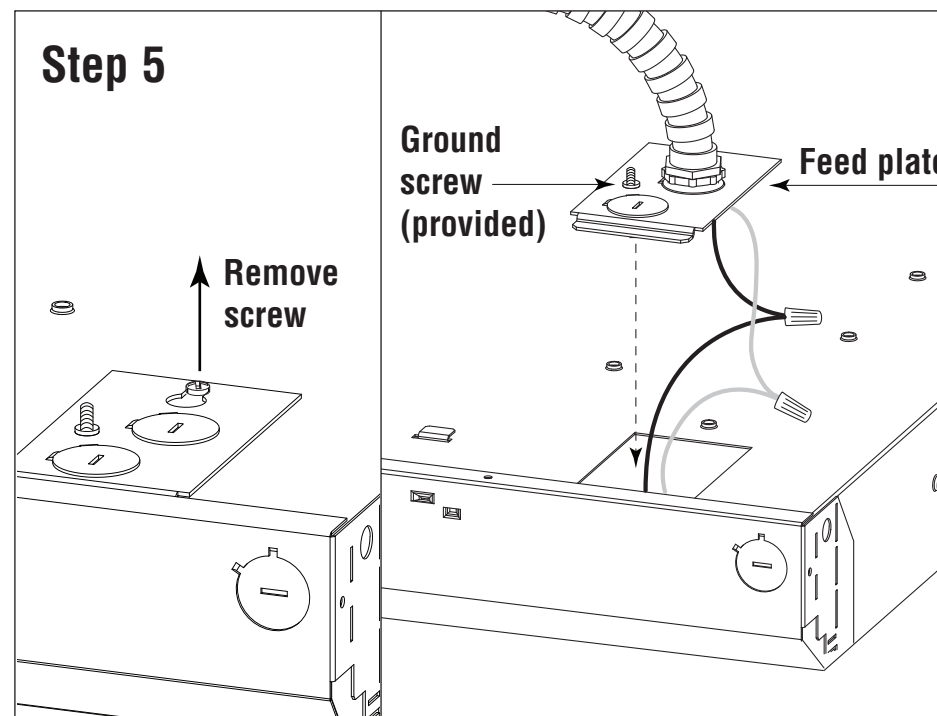
Step 2 If needed, remove the tab to adjust clearance to fit proper T-Bar height.



Step 3 Secure fixture to T-Bar with a #8 x 1/4" self-drilling sheet metal screw (supplied by others)



Step 4 Secure fixture to structure using tie-wire (supplied by others) according to code.



Step 5 Remove feed plate screw and make all electrical connections. Secure ground wire using provided screw, and secure plate back onto the fixture.

