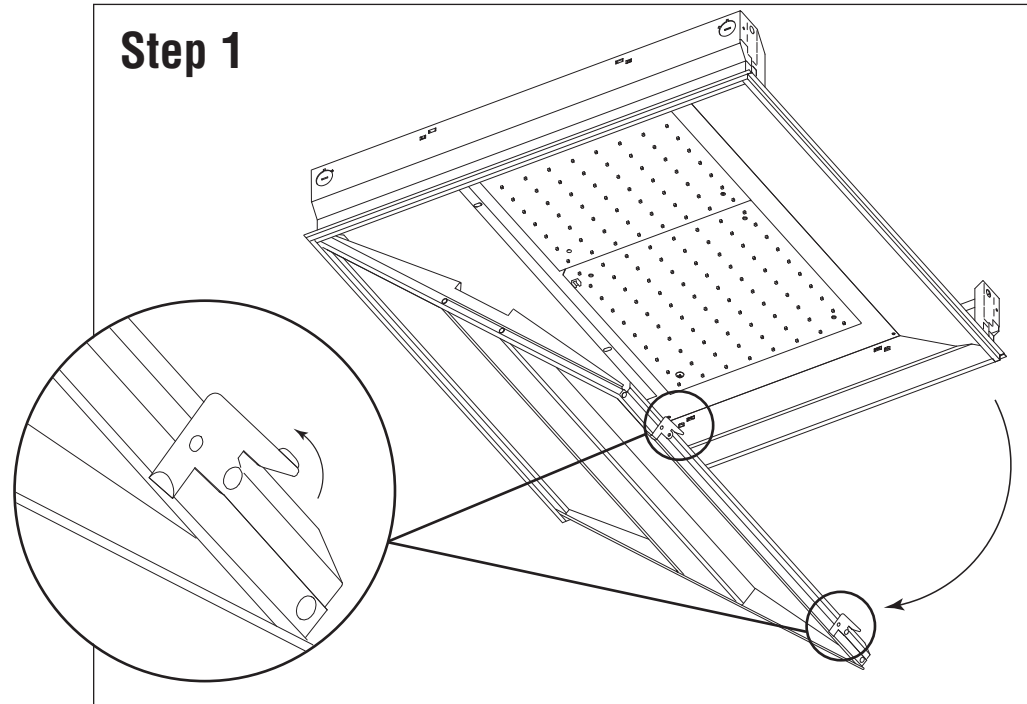
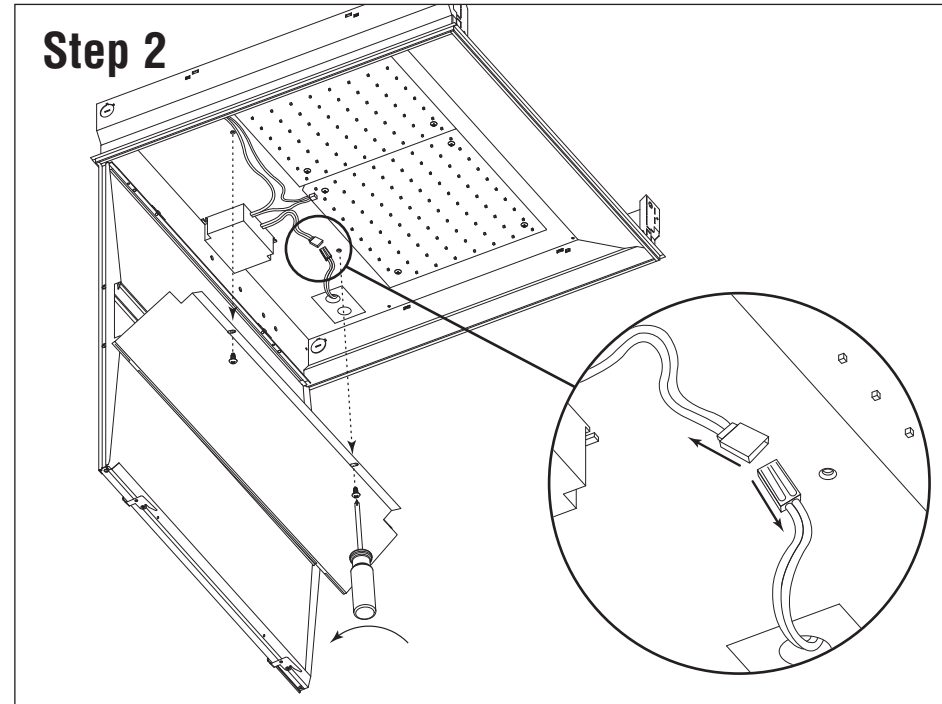


High Performance Recessed (HPR-LED) Light Engine Replacement



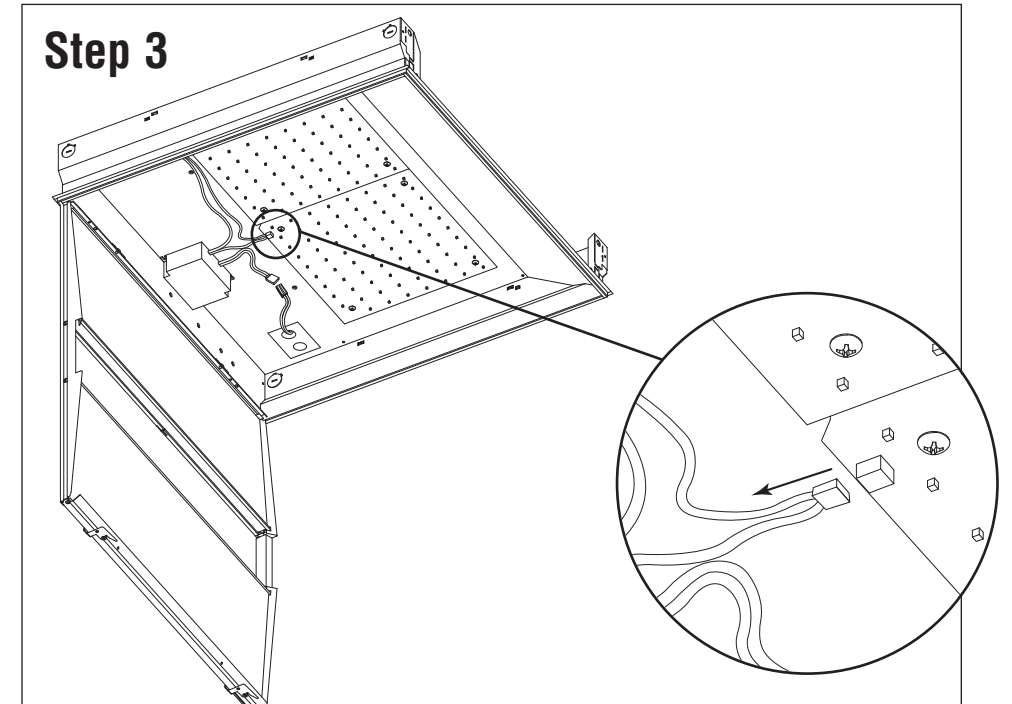
Step 1

Disconnect power. Unlock the latches and rotate door to open.



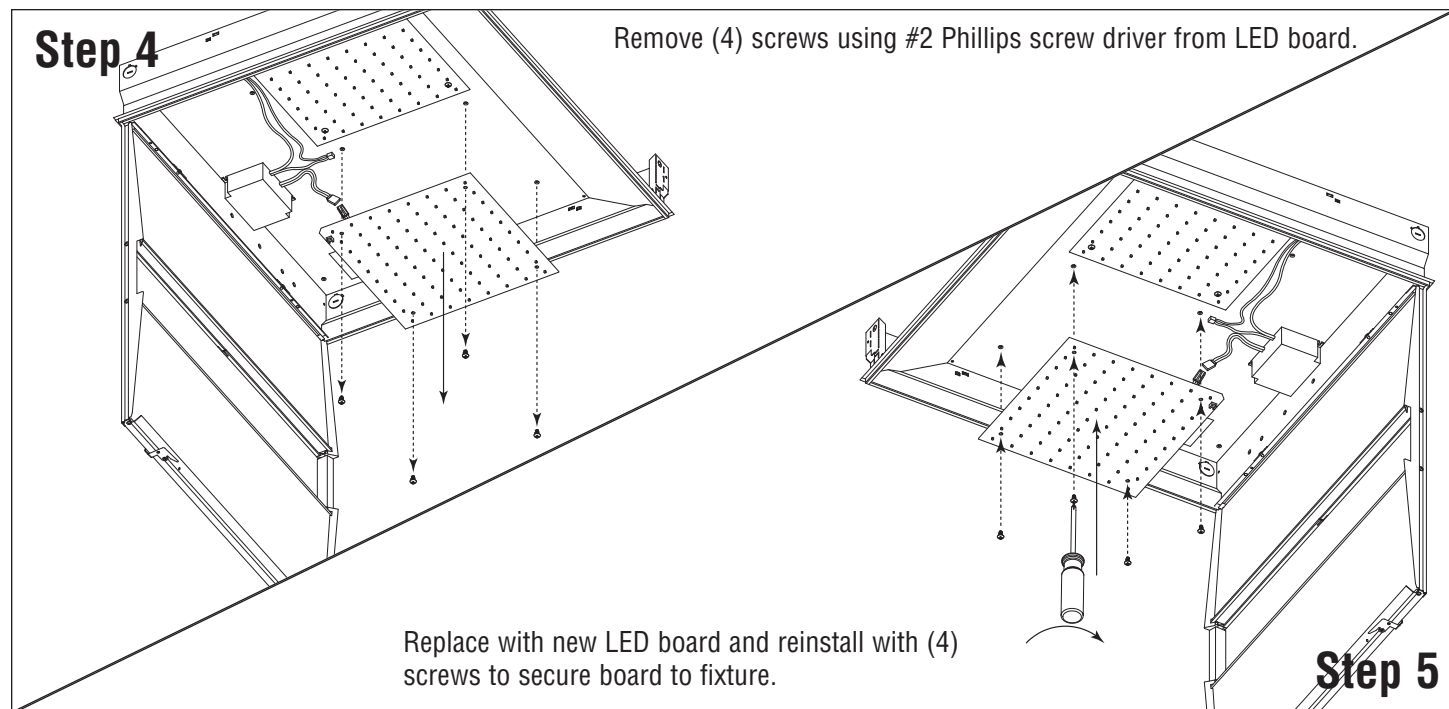
Step 2

Remove (2) screws from side cover panel and disconnect the primary driver connection.



Step 3

Unplug LED board from driver.

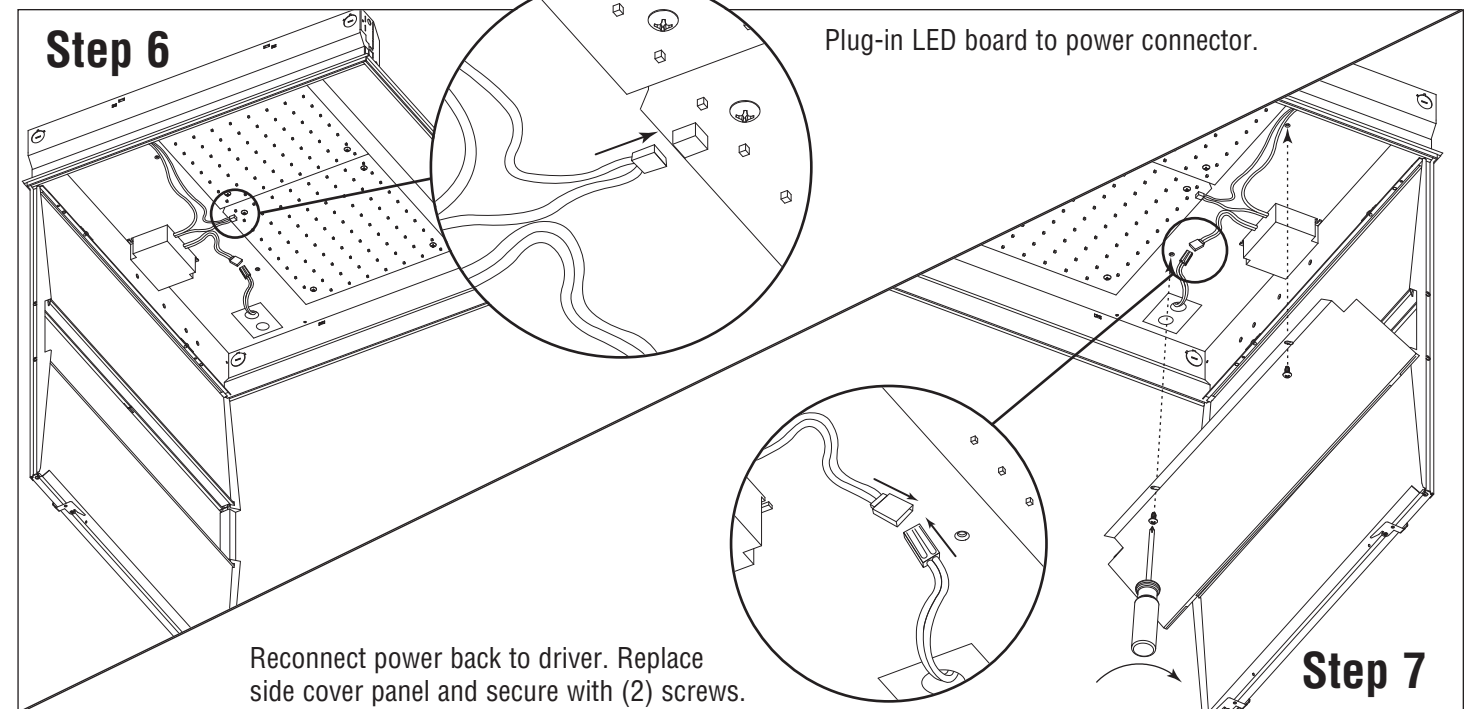


Step 4

Remove (4) screws using #2 Phillips screw driver from LED board.

Replace with new LED board and reinstall with (4) screws to secure board to fixture.

Step 5



Step 6

Plug-in LED board to power connector.

Reconnect power back to driver. Replace side cover panel and secure with (2) screws.

Step 7

* LED light engine board is considered e-waste and is recyclable.

(HPR-LED 2x2 shown in detail)