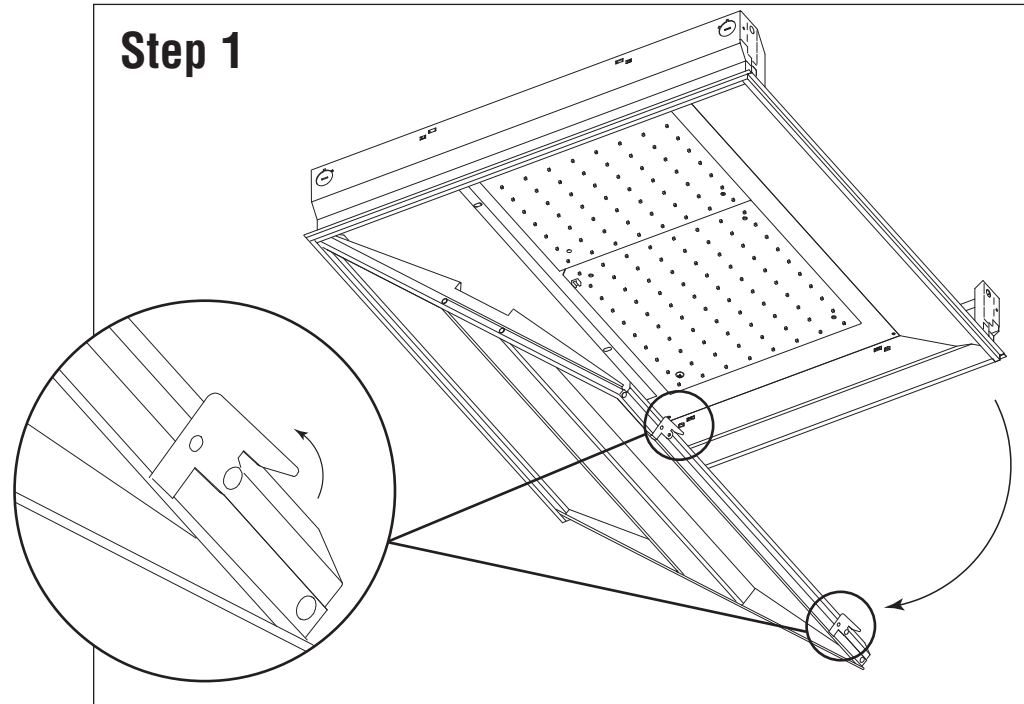
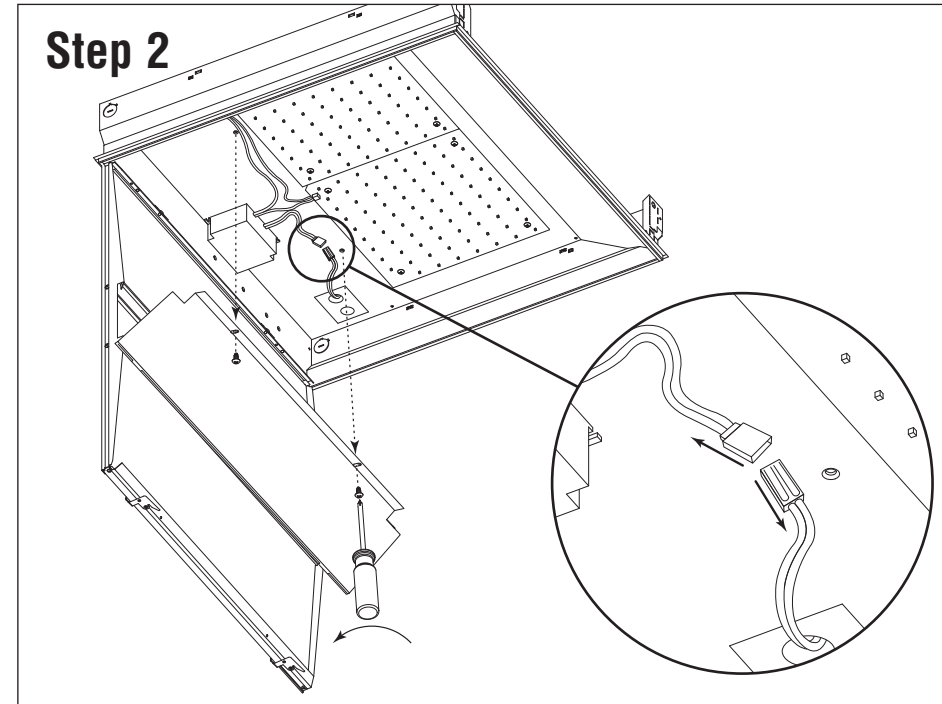


FINELITE

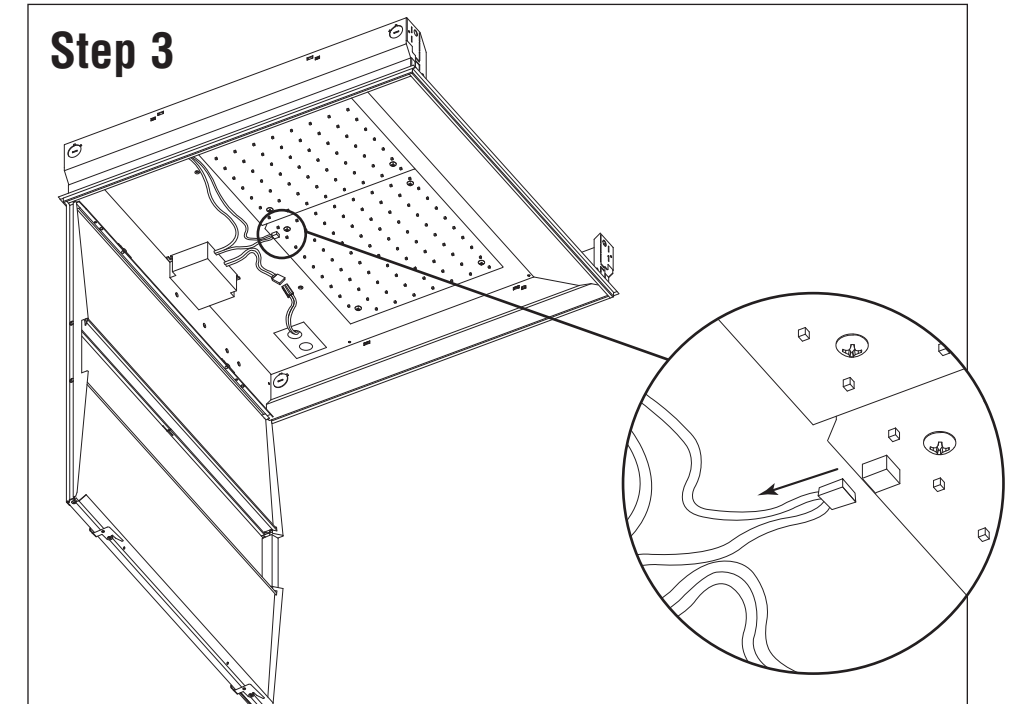
High Performance Recessed (HPR-LED) Light Engine Replacement



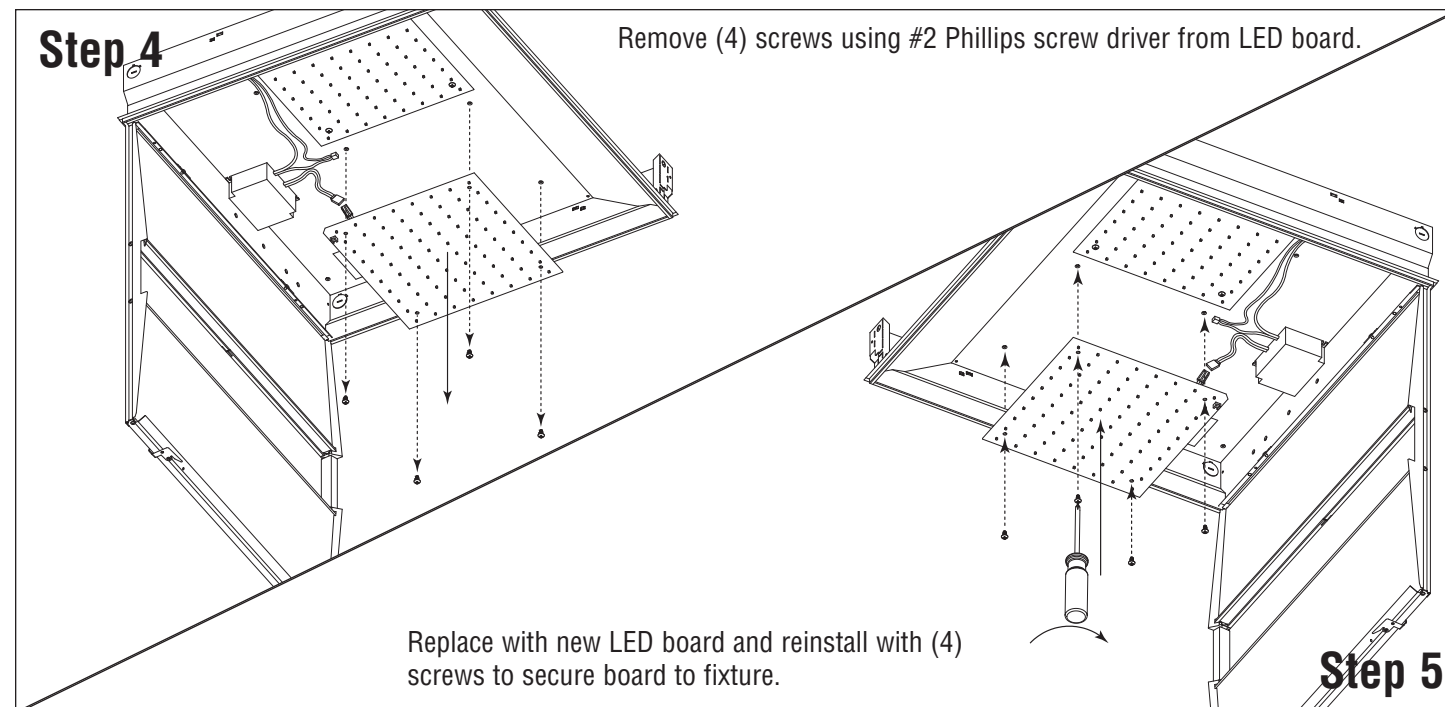
Disconnect power. Unlock the latches and rotate door to open.



Remove (2) screws from side cover panel and unplug the driver connection.



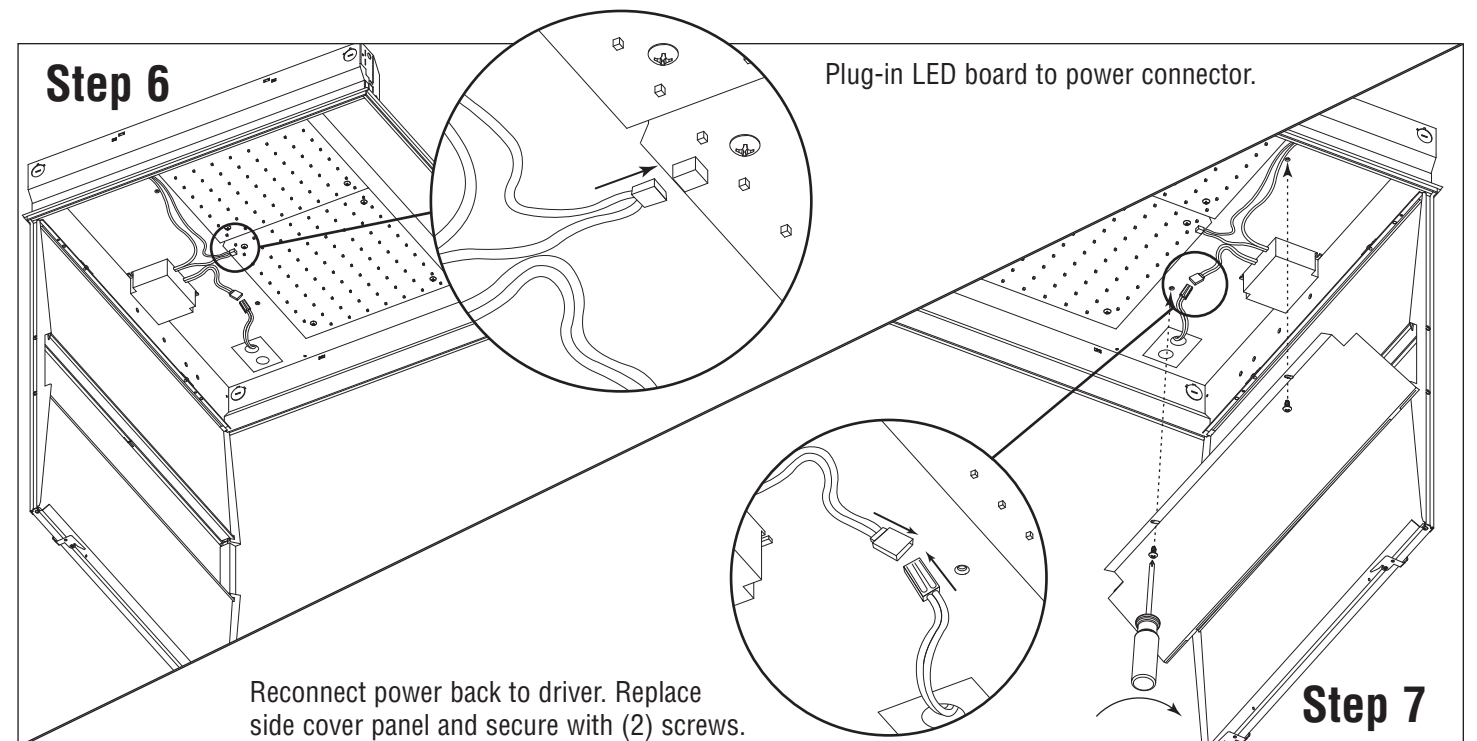
Unplug LED board from driver.



Remove (4) screws using #2 Phillips screw driver from LED board.

Replace with new LED board and reinstall with (4) screws to secure board to fixture.

Step 5



Plug-in LED board to power connector.

Reconnect power back to driver. Replace side cover panel and secure with (2) screws.

Step 7

* LED light engine board is considered e-waste and is recyclable.

(HPR-LED 2x2 shown in detail)