
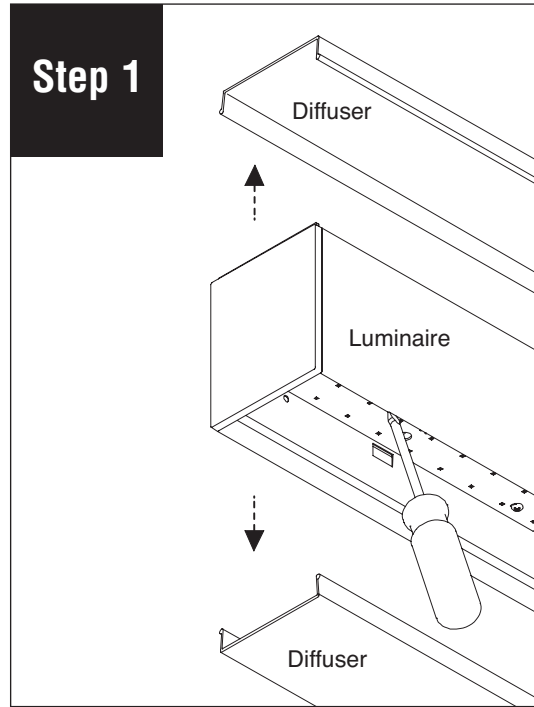


HP-4 Wall Mount Indirect/Direct Starter/Independent Installation Instructions

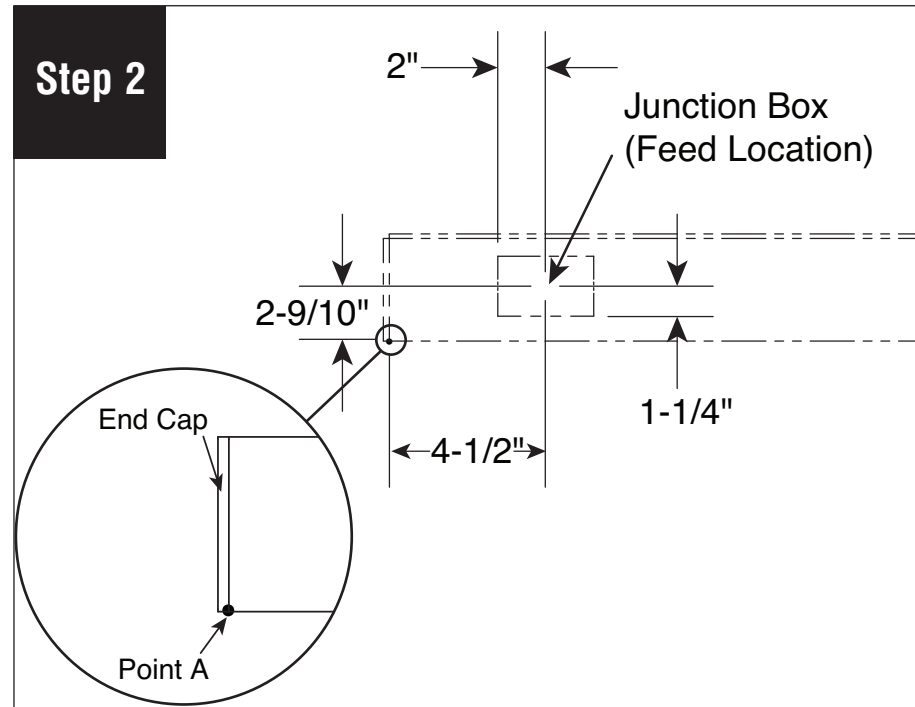
Scan QR code for helpful video(s)



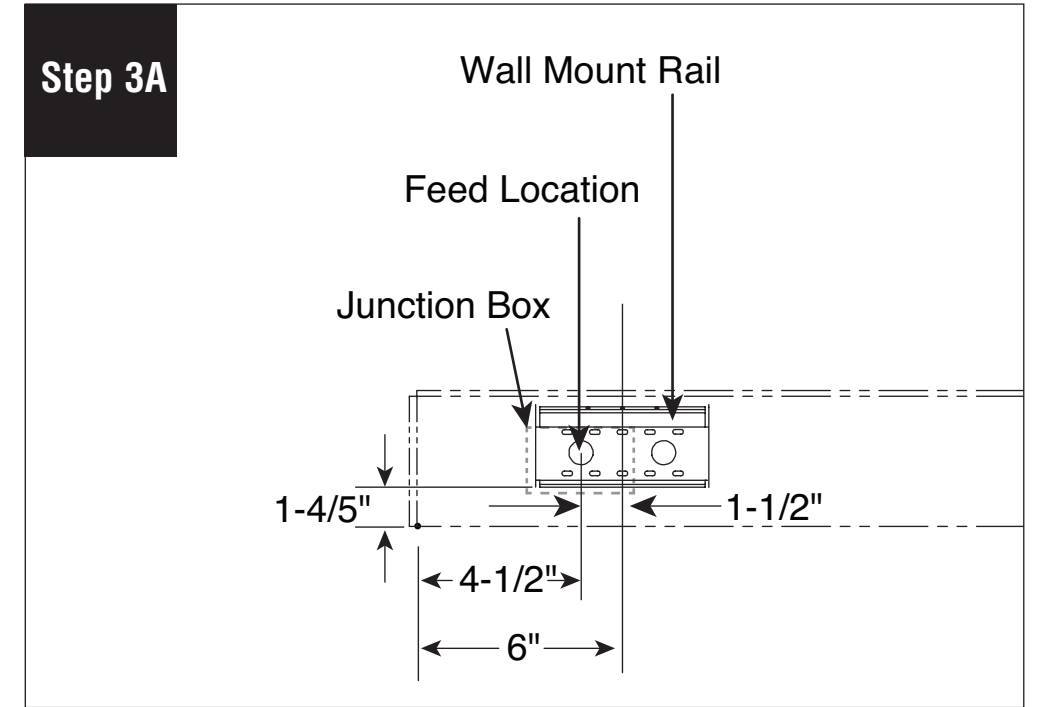
0 - 10V Dimming



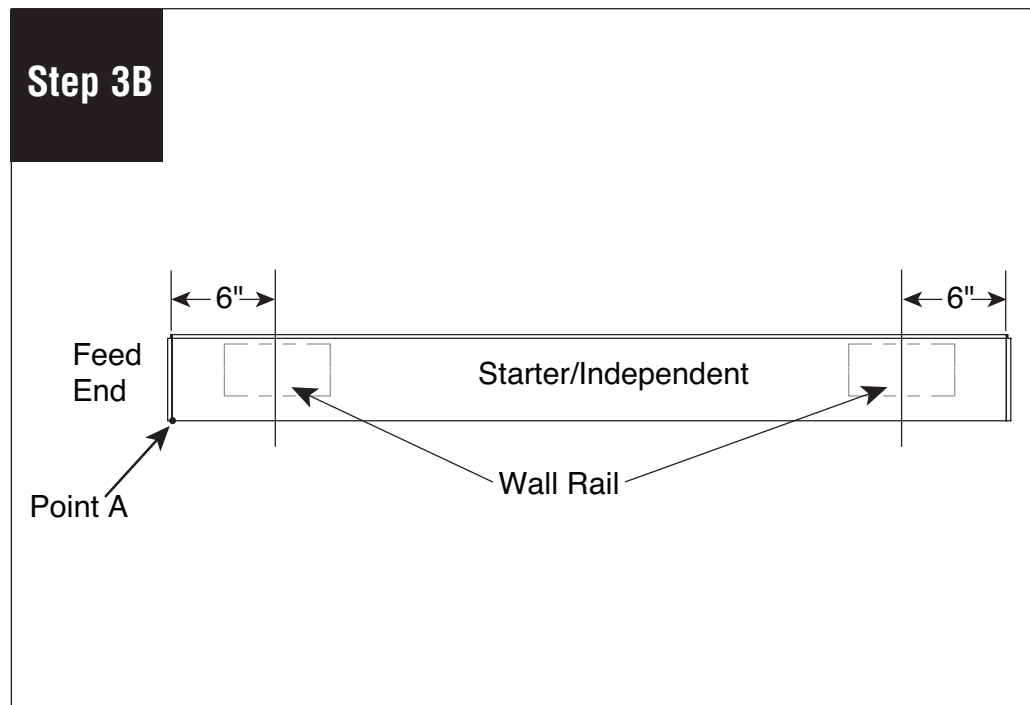
Remove top and bottom diffusers and set aside to prevent it from getting dirty or damaged.



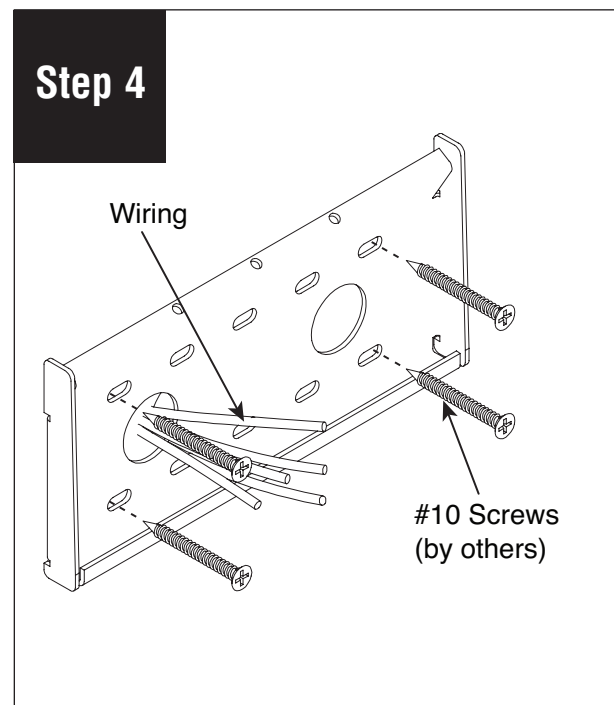
Position luminaire on wall in desired location. Mark the bottom corner of the luminaire, do not include end cap. This will be Point A. Use Point A to find and mark feed location.



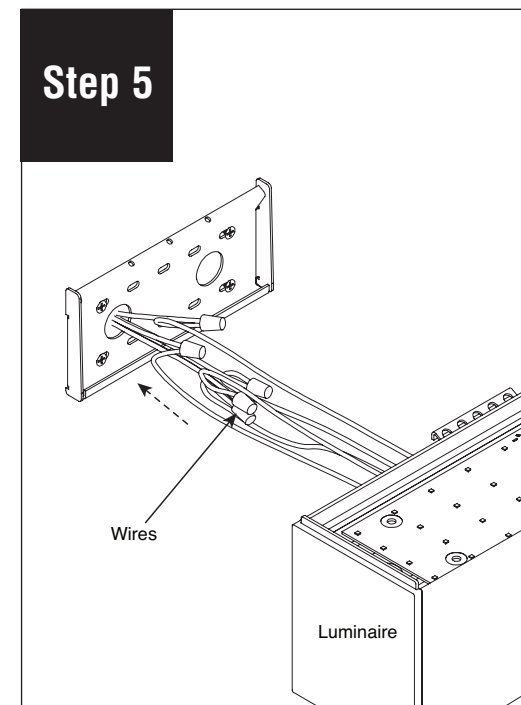
A) Use feed location to center and install junction box. Position and install starter wall rail.



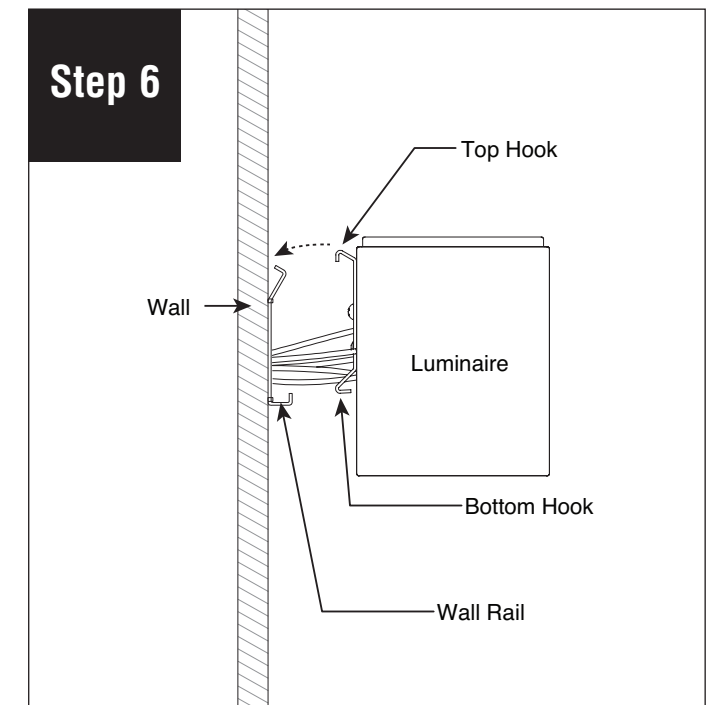
B) Center of wall rail for independent is 6" from Point A as indicated. Make sure rail has proper backing (by others).



Level wall rail to ensure proper mounting. Install #10 screws (by others) through rail and into backing.



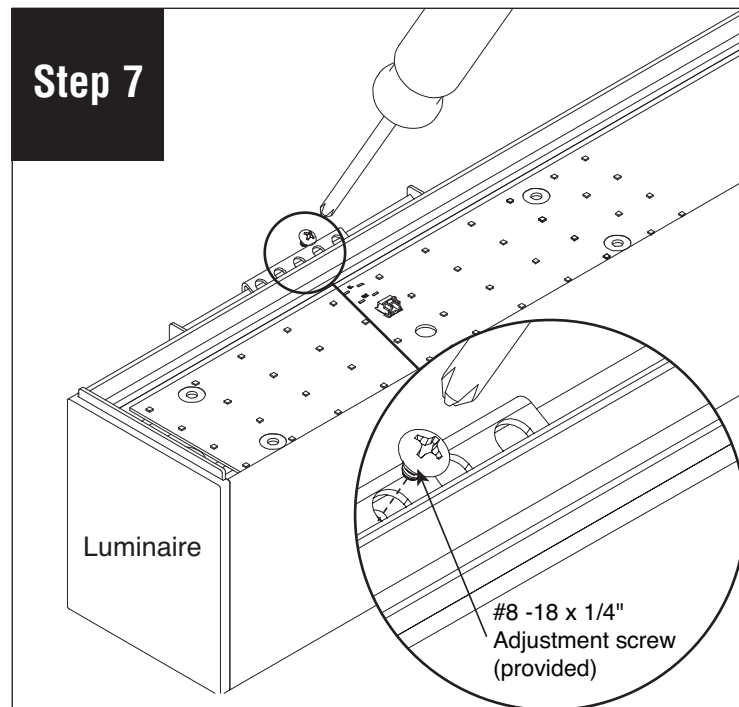
Make electrical connections and push completed wiring into junction box.



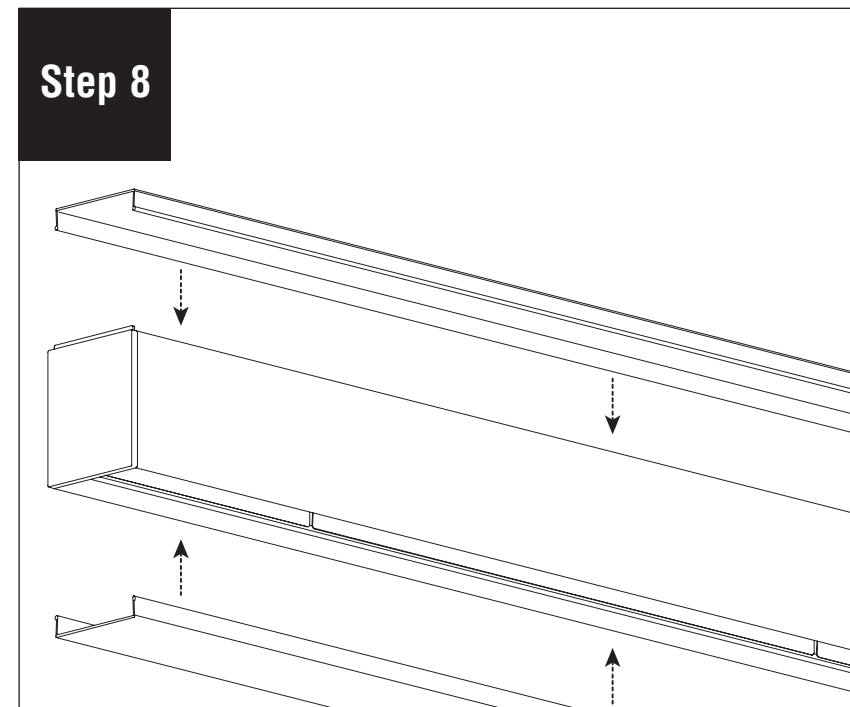
Install luminaire onto wall rails then slide it straight down to engage hooks on top and bottom of wall rail.

Note: All power connections to be installed to local/national codes by a Certified Electrician.

HP-4 Wall Mount Indirect/Direct Starter/Independent Installation Instructions



Install #8-18 x 1/4" adjustment screws (provided) onto mounting brackets. Use screws to level luminaire. Tighten to raise and loosen to lower.




Reinstall diffusers. **NOTE:** If part of a longer run, diffuser will be reinstalled back into original luminaire section as lengths vary,

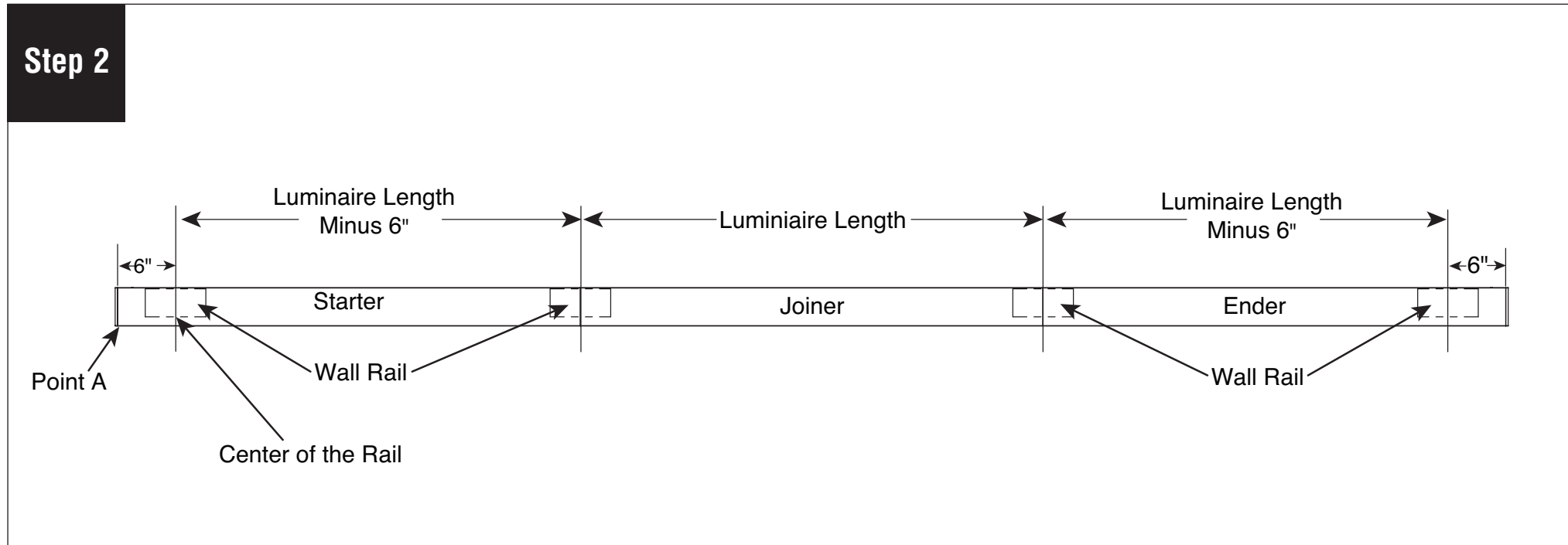
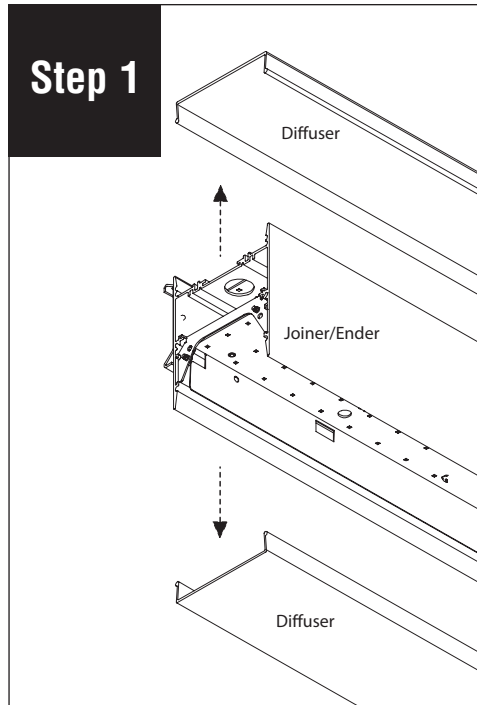
Note: All power connections to be installed to local/national codes by a Certified Electrician.

HP-4 Wall Mount Indirect/Direct Joiner/Ender Installation Instructions

Scan QR code for helpful video(s)

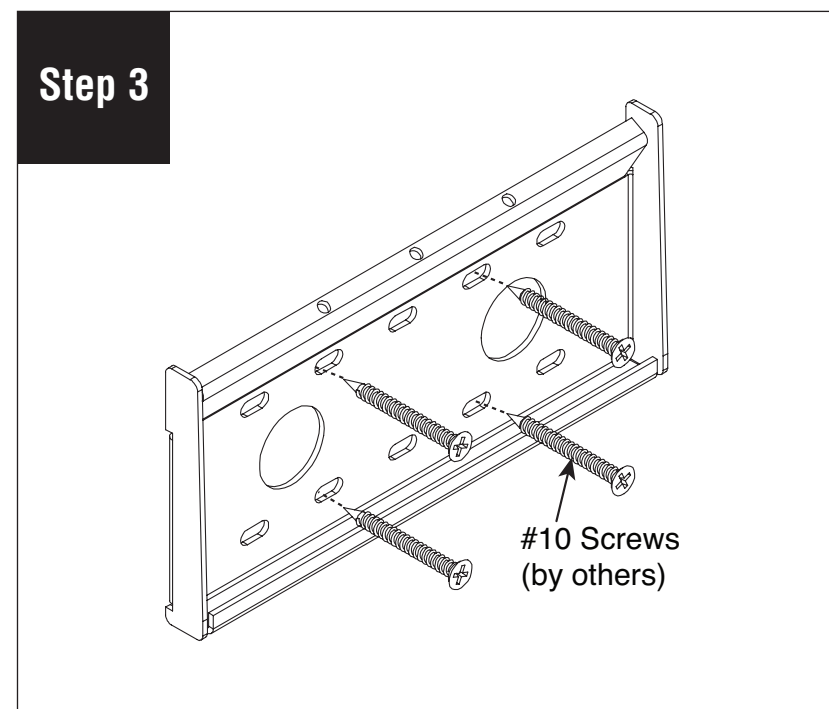


0 - 10V Dimming

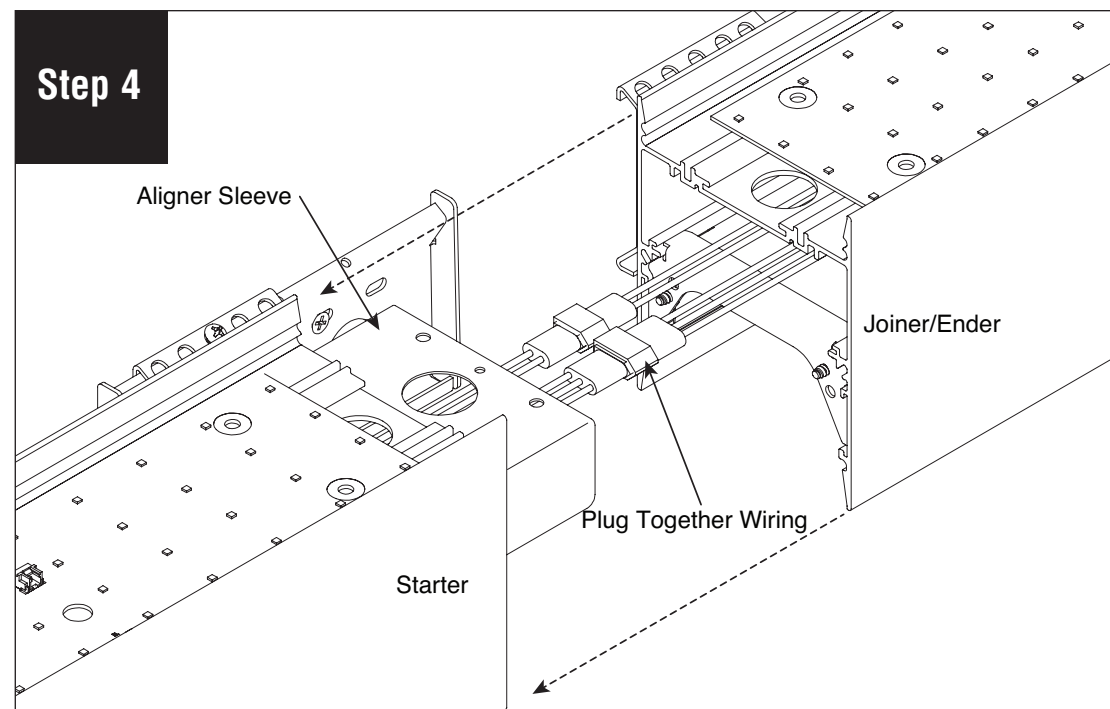


Remove joiner top and bottom diffusers and set aside to prevent it from getting dirty or damaged.

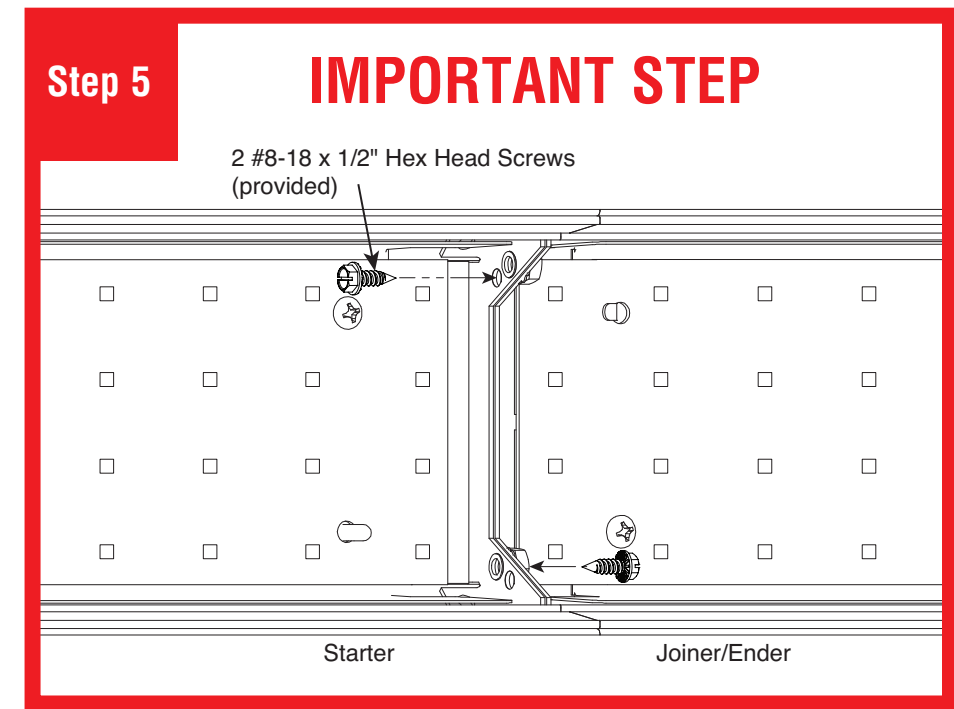
Position wall rails as indicated above. Center of mounting rail for starter is 6" from Point A as indicated on the Starter/Independent installation instructions (step 3A and 3B). Make sure wall rail mount has proper backing (by others).



Level wall rail to ensure proper mounting. Install #10 screws (by others) through rail and into backing.



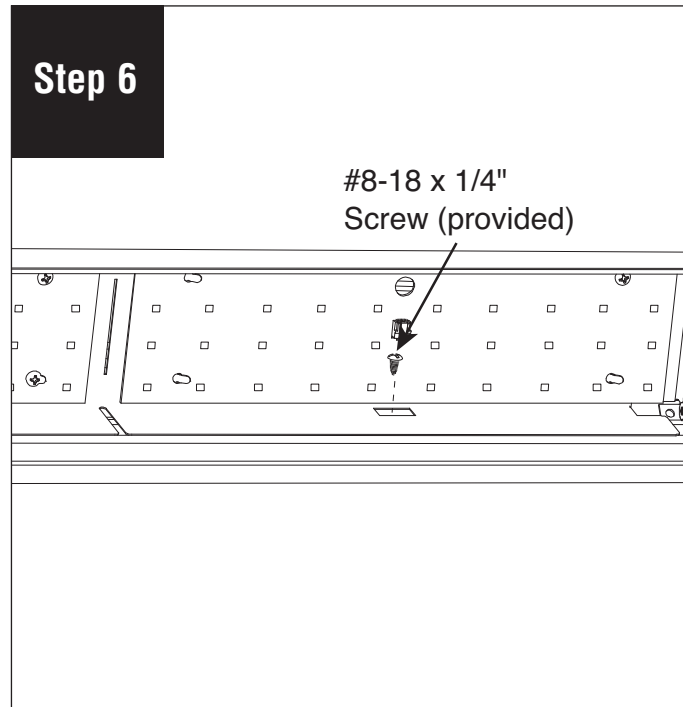
Connect plug-together wiring. Slide starter and joiner/ender luminaires together.



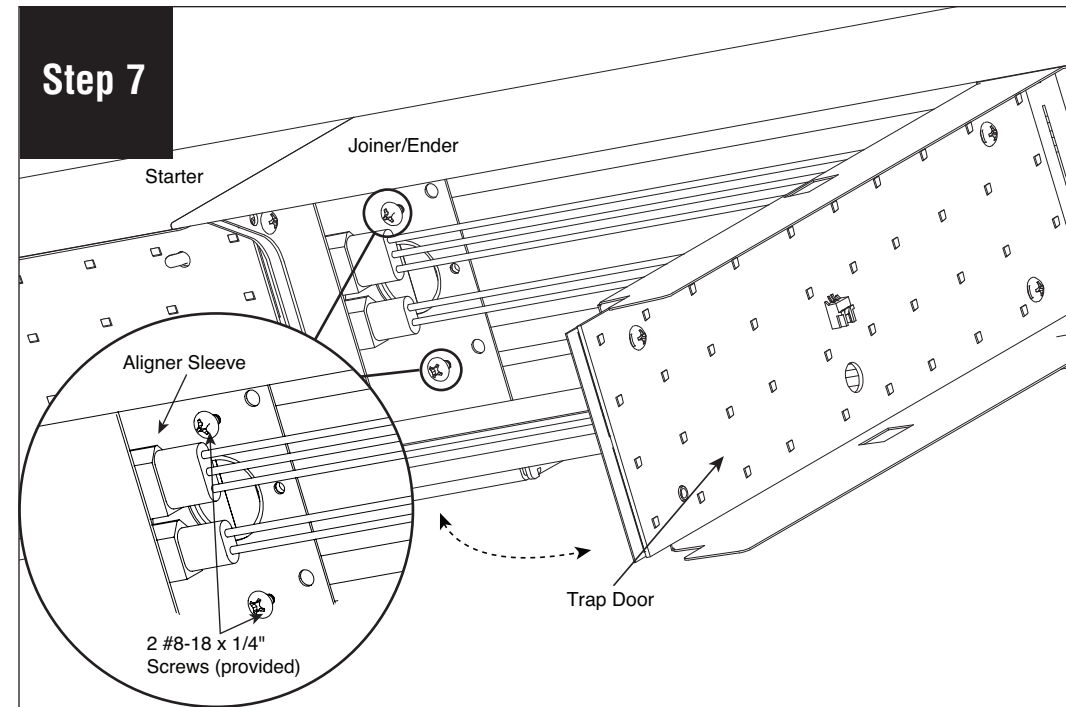
Install two #8-18 x 1/2" hex head screws (provided) into starter and joiner/ender. Screws can be installed from the left or right.

Note: All power connections to be installed to local/national codes by a Certified Electrician.

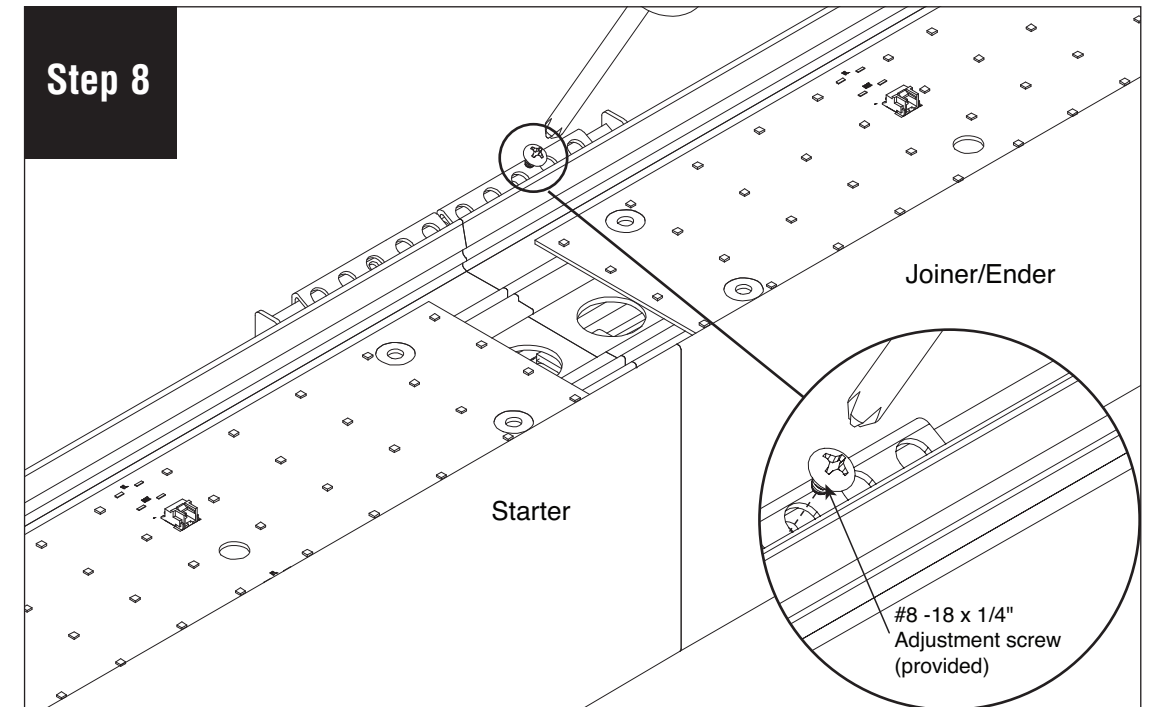
HP-4 Wall Mount Indirect/Direct Joiner/Ender Installation Instructions



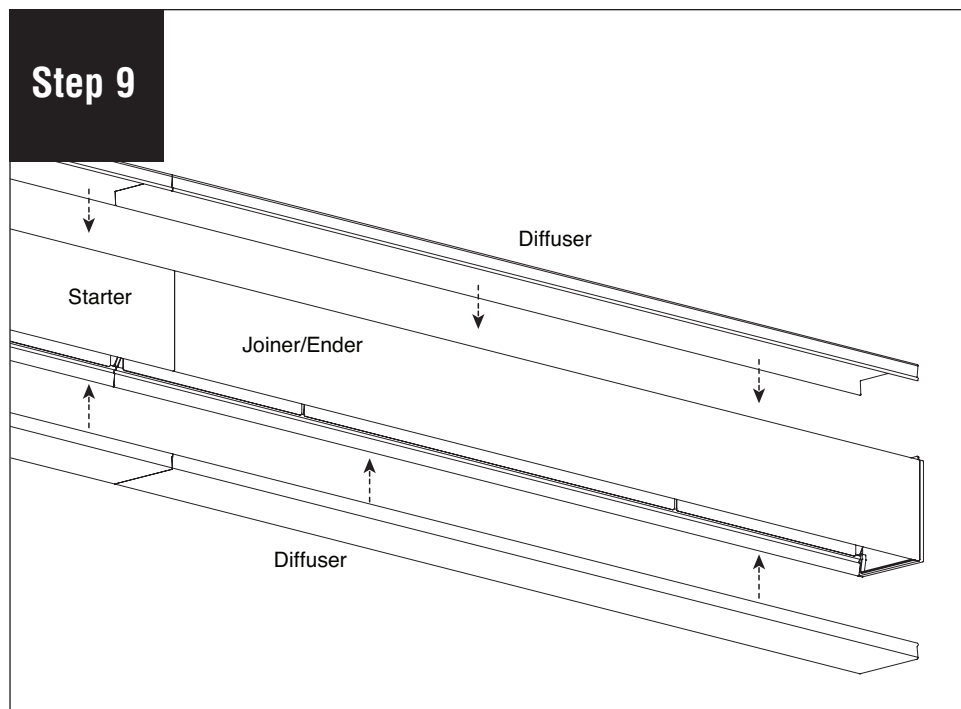
Open trap door by removing #8-18 x 1/4" screw (provided) on the side of the trap door.



Install two #8-18 x 1/4" screws (provided) into aligner sleeve on joiner/ender luminaire. Replace trap door and fasten with #8-18 x 1/4" screws (provided).



Install #8-18 x 1/4" adjustment screws (provided) onto mounting brackets. Use screws to level luminaire. Tighten to raise and loosen to lower.



Reinstall diffusers. **NOTE:** If part of a longer run, diffuser will be reinstalled back into original luminaire section as lengths vary.

Note: All power connections to be installed to local/national codes by a Certified Electrician.