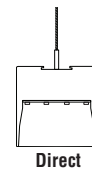
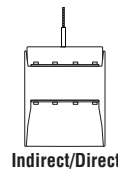


Pendant Mounting and Feed Guide High Performance 4" Aperture (HP-4)




FINELITE
Better Lighting

Customer: _____ Job: _____ PO: _____

SUSPENSION TYPE

Fully Adjustable
1/4 X 20 threaded coupler



50"- Standard 89512

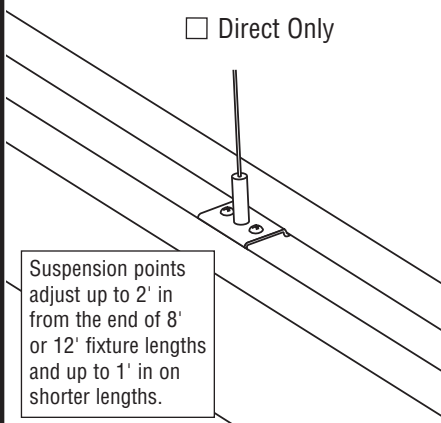
100" - 89513

150" - 89514

Custom

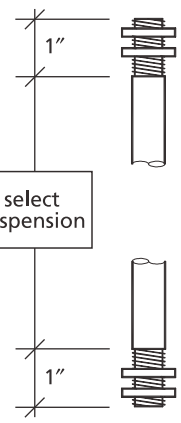
Flexible Mounting
89605

Direct Only



Suspension points adjust up to 2' in from the end of 8' or 12' fixture lengths and up to 1' in on shorter lengths.

Stem



(Select distance between threads)

9"

12"

15"

21"


24"

select suspension

Contact factory for additional lengths

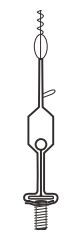
MOUNTING HARDWARE

On-Grid 1" T-Bar Support 94001




C1

On-Grid 9/16" T-Bar Support 94020



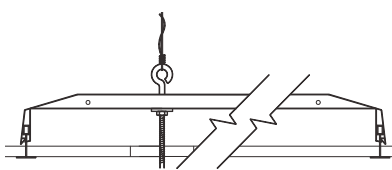
C2

On-Grid 9/16" Screw Slot T-Bar Support 94029

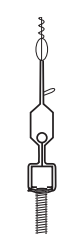


C3

Caddy 512 HD Between T-Bar Supports 89316




9/16" Screw Slot HD With Extended Stud For Tegular Tile 94029 & 94067



POWER FEED

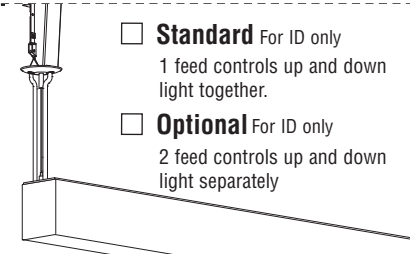
Straight 18/5 SJT Cord 96105




1 Circuit + 0-10V Dimming

Standard For ID only
1 feed controls up and down light together.

Optional For ID only
2 feed controls up and down light separately




Straight 18/3 SJT Cord 96099




No 0-10V Dimming Control

Straight 18/4 SJT Cord 2 Circuit 96100




No 0-10V Dimming Control

Stem Feed

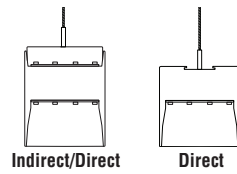


Cord and Plug



© 2015 FINELITE, INC. ALL RIGHTS RESERVED 0PG0044: 09/15

Pendant Mounting and Feed Guide High Performance 4" Aperture (HP-4)



FINELITE
Better Lighting

Customer: _____ Job: _____ PO: _____

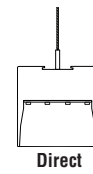
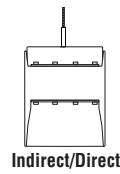
Finelite Standard	<p>Power Connection & Support</p> <p><input type="checkbox"/> Finelite GridBox™ Flex supplied by others.</p> <p>89330</p>	<p>Non-Power Connection & Support</p> <p><input type="checkbox"/> 2" Canopy</p> <p>89331</p>
--------------------------	--	---

* Supplied with 5" Canopy.

Options	<p><input type="checkbox"/> Dual GridBox™ Connection</p> <p>89332 Flex supplied by others.</p>	<p><input type="checkbox"/> GridBox™ Connection Tegular Tile</p> <p>89335</p>	<p><input type="checkbox"/> 3.5" Canopy</p> <p>89333</p>	<p><input type="checkbox"/> 2" Canopy Tegular Tile</p> <p>89200</p>
	<p><input type="checkbox"/> J-Box Feed Support*</p> <p>89111</p>	<p><input type="checkbox"/> Stem Feed Support J-Box*</p> <p>89120</p>	<p><input type="checkbox"/> J-Box Support*</p> <p>89210</p>	
Options	<p><input type="checkbox"/> Offset J-Box Surface Mount*</p> <p>↳ up to 24" ↳</p> <p>81113</p>	<p><input type="checkbox"/> Offset J-Box T-Bar Support*</p> <p>89106</p>	<p><input type="checkbox"/> Stem Support*</p> <p>89120</p>	
	<p><input type="checkbox"/> Dual Offset J-Box Surface Mount*</p> <p>↳ up to 24" ↳</p> <p>81111</p>	<p><input type="checkbox"/> Dual Offset J-Box T-Bar Support*</p> <p>89107</p>	<p><input type="checkbox"/> Surface Mount (Standard)</p> <p>89225</p>	<p><input type="checkbox"/> Surface Mount (Optional)</p> <p>89334</p>
Options	<p><input type="checkbox"/> Custom Power Connection</p>	<p><input type="checkbox"/> No Power Connection</p>	<p><input type="checkbox"/> Custom Non-Power Connection</p>	<p><input type="checkbox"/> No Connection</p>

Hardware compatible with 4" octagonal J-Box. Consult Finelite Customer Service for pricing on all options.

Pendant Mounting and Feed Guide High Performance 4" Aperture (HP-4)



FINELITE
Better Lighting

Customer: _____ Job: _____ PO: _____

Standard Fixture Lengths & Support Locations

