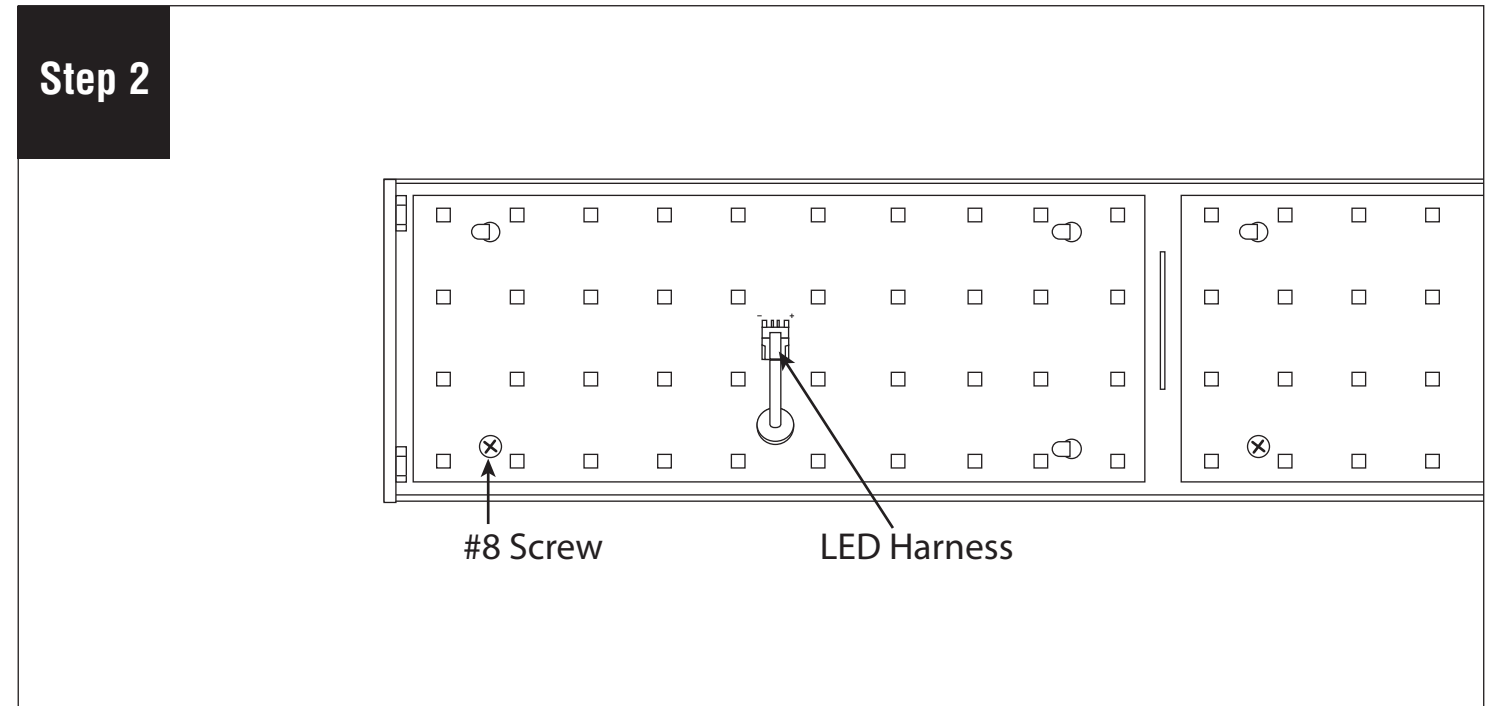
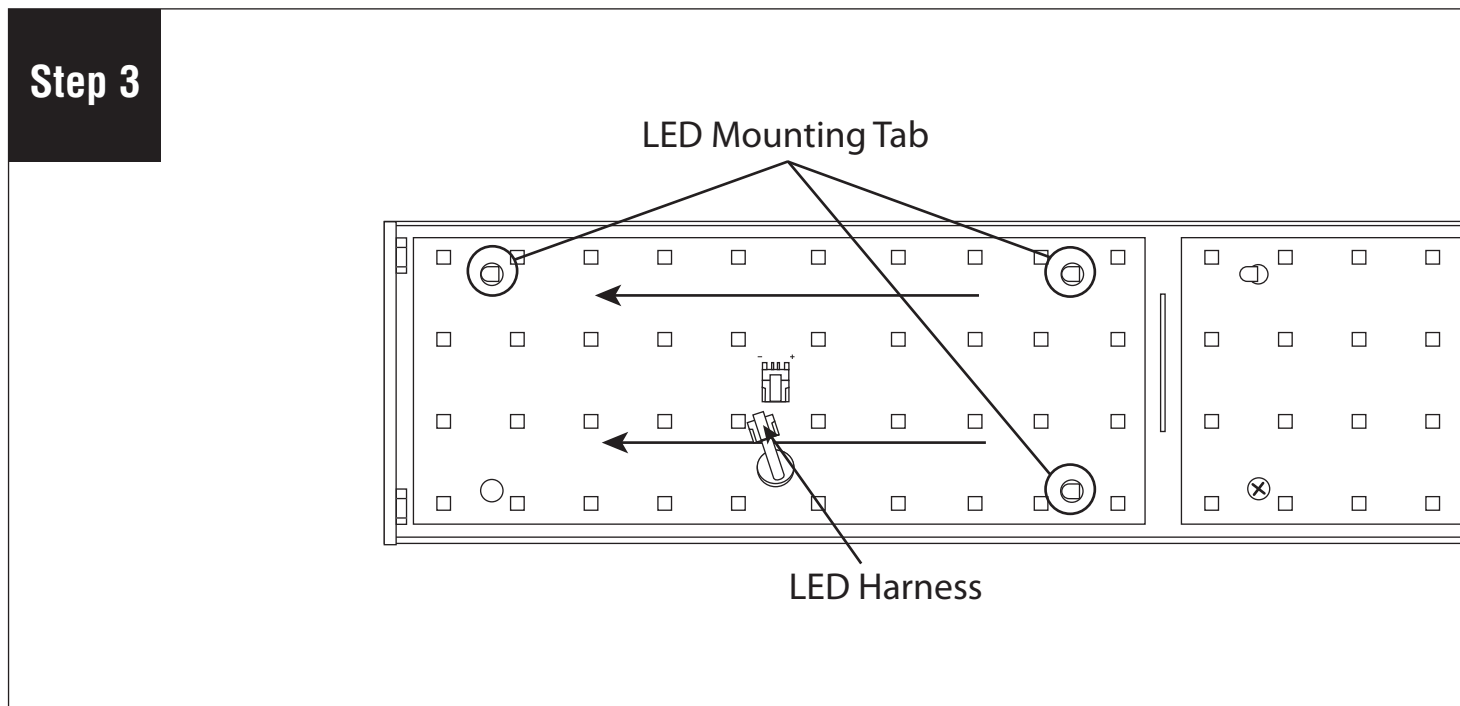


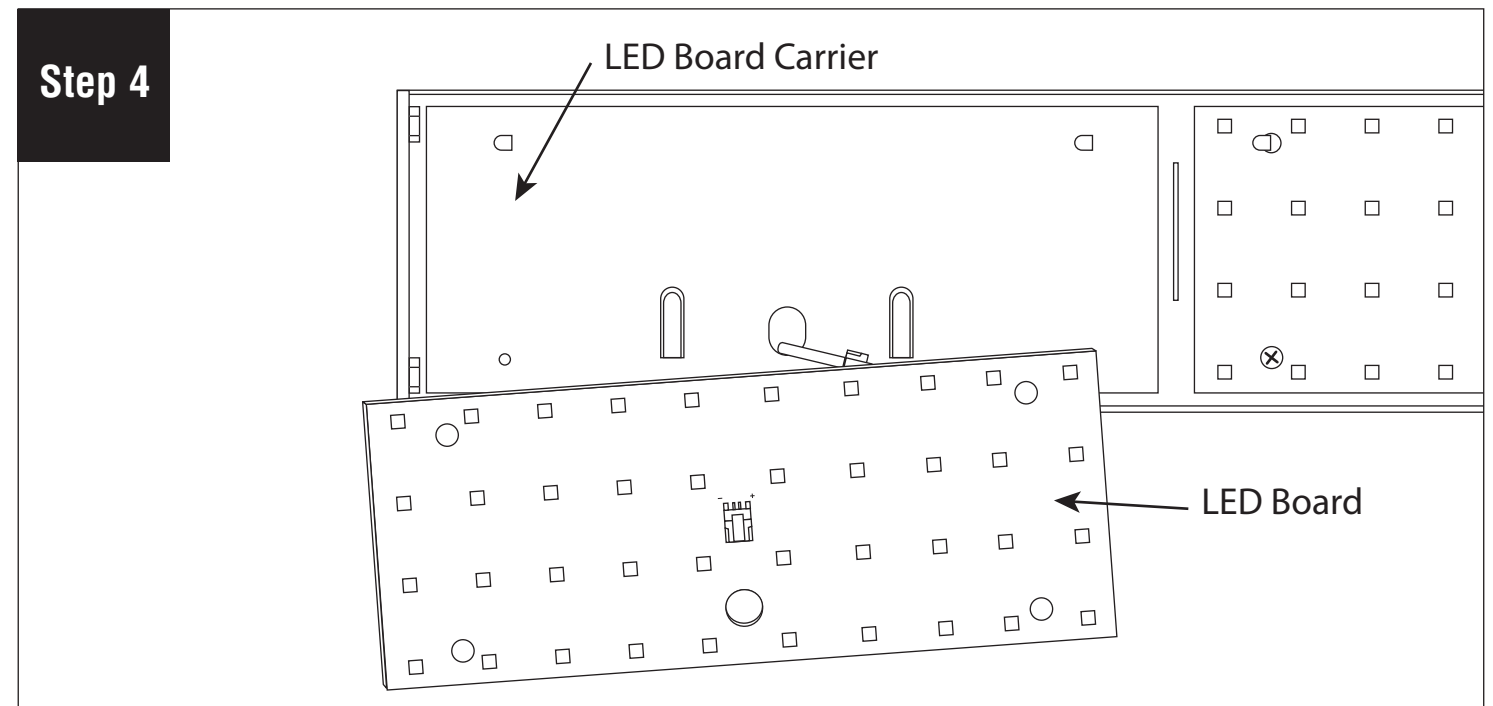
Turn off power. Remove bottom lens and set aside to prevent it from getting dirty or damaged.



Remove one #8 screw. Unplug LED harness.



Shift LED board away from the LED Mounting Tab.



Carefully remove LED board from harness and carrier. Replace with new LED board. Reconnect LED harness. Reinstall #8 screw to secure LED board and reinstall lens.