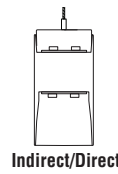


# Pendant Mounting and Feed Guide High Performance 2" Aperture (HP-2)




**FINELITE**  
Better Lighting

Customer: \_\_\_\_\_ Job: \_\_\_\_\_ PO: \_\_\_\_\_

### SUSPENSION TYPE

**Fully Adjustable**  
1/4 X 20 threaded coupler



50"- Standard 89512

100" - 89513

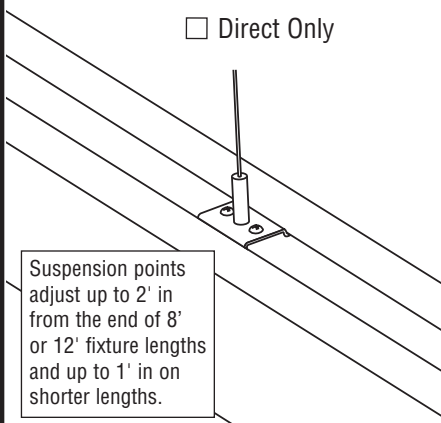
150" - 89514

Custom

---

**Flexible Mounting**  
89605

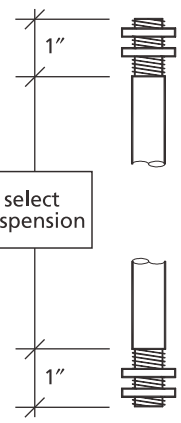
Direct Only



Suspension points adjust up to 2' in from the end of 8' or 12' fixture lengths and up to 1' in on shorter lengths.

---

**Stem**



(Select distance between threads)

9"

12"

15"

21"


24"

select suspension

Contact factory for additional lengths

### MOUNTING HARDWARE

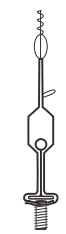
On-Grid 1" T-Bar Support 94001



**C1**

---


On-Grid 9/16" T-Bar Support 94020



**C2**

---

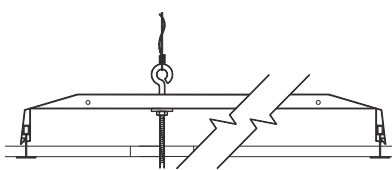
On-Grid 9/16" Screw Slot T-Bar Support 94029



**C3**

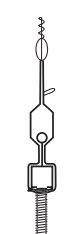
---

Caddy 512 HD Between T-Bar Supports 89316




---

9/16" Screw Slot HD With Extended Stud For Tegular Tile 94029 & 94067



### POWER FEED


Straight 18/5 SJT Cord 96105



1 Circuit + 0-10V Dimming

---


Straight 18/3 SJT Cord 96099



No 0-10V Dimming Control

---


Straight 18/4 SJT Cord 2 Circuit 96100



No 0-10V Dimming Control


---

Stem Feed



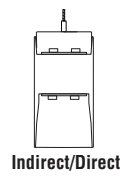
---

Cord and Plug



© 2015 FINELITE, INC. ALL RIGHTS RESERVED 0PG0064\_09/15

# Pendant Mounting and Feed Guide High Performance 2" Aperture (HP-2)



**FINELITE**  
Better Lighting

Customer: \_\_\_\_\_ Job: \_\_\_\_\_ PO: \_\_\_\_\_

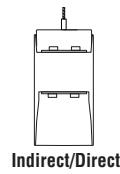
<b>Finelite Standard</b>	<p><b>Power Connection &amp; Support</b></p> <p><input type="checkbox"/> Finelite GridBox™ Flex supplied by others.</p> <p>89330</p>	<p><b>Non-Power Connection &amp; Support</b></p> <p><input type="checkbox"/> 2" Canopy</p> <p>89331</p>
--------------------------	------------------------------------------------------------------------------------------------------------------------------------------	---------------------------------------------------------------------------------------------------------

\* Supplied with 5" Canopy.

<b>Options</b>	<p><input type="checkbox"/> Dual GridBox™ Connection</p> <p>89332 Flex supplied by others.</p>	<p><input type="checkbox"/> GridBox™ Connection Tegular Tile</p> <p>89335</p>	<p><input type="checkbox"/> 3.5" Canopy</p> <p>89333</p>	<p><input type="checkbox"/> 2" Canopy Tegular Tile</p> <p>89200</p>
	<p><input type="checkbox"/> J-Box Feed Support*</p> <p>89111</p>	<p><input type="checkbox"/> Stem Feed Support J-Box*</p> <p>89120</p>	<p><input type="checkbox"/> J-Box Support*</p> <p>89210</p>	
<b>Options</b>	<p><input type="checkbox"/> Offset J-Box Surface Mount*</p> <p>↳ up to 24" ↳</p> <p>81113</p>	<p><input type="checkbox"/> Offset J-Box T-Bar Support*</p> <p>89106</p>	<p><input type="checkbox"/> Stem Support*</p> <p>89120</p>	
	<p><input type="checkbox"/> Dual Offset J-Box Surface Mount*</p> <p>↳ up to 24" ↳</p> <p>81111</p>	<p><input type="checkbox"/> Dual Offset J-Box T-Bar Support*</p> <p>89107</p>	<p><input type="checkbox"/> Surface Mount (Standard)</p> <p>89225</p>	<p><input type="checkbox"/> Surface Mount (Optional)</p> <p>89334</p>
<b>Options</b>	<p><input type="checkbox"/> Custom Power Connection</p>	<p><input type="checkbox"/> No Power Connection</p>	<p><input type="checkbox"/> Custom Non-Power Connection</p>	<p><input type="checkbox"/> No Connection</p>

Hardware compatible with 4" octagonal J-Box. Consult Finelite Customer Service for pricing on all options.

# Pendant Mounting and Feed Guide High Performance 2" Aperture (HP-2)



**FINELITE**  
*Better Lighting*

Customer: \_\_\_\_\_ Job: \_\_\_\_\_ PO: \_\_\_\_\_

## Standard Fixture Lengths & Support Locations

