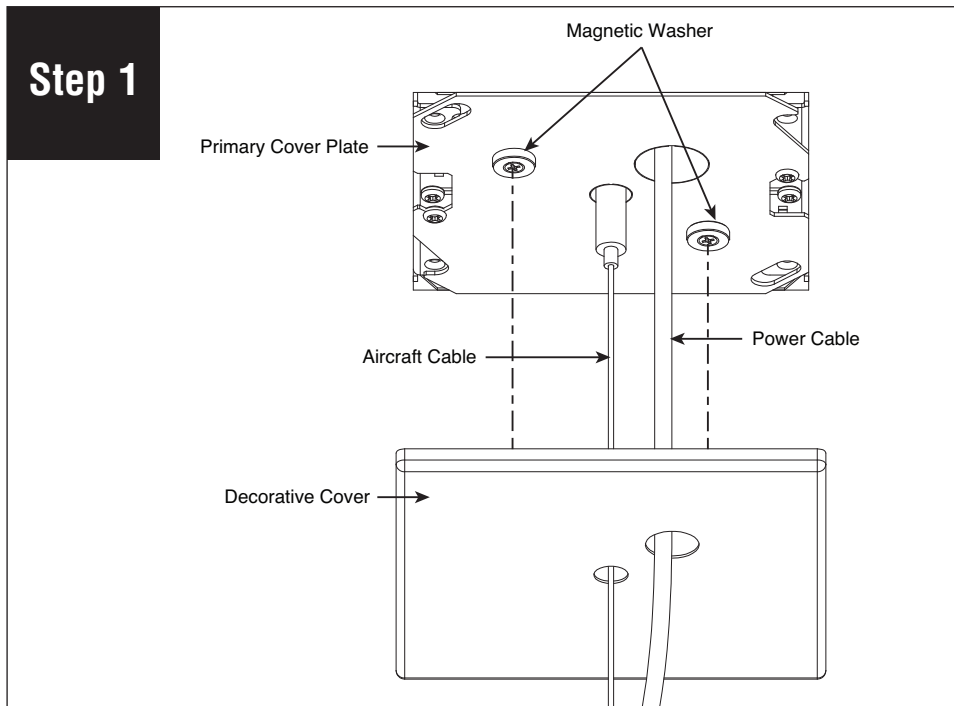
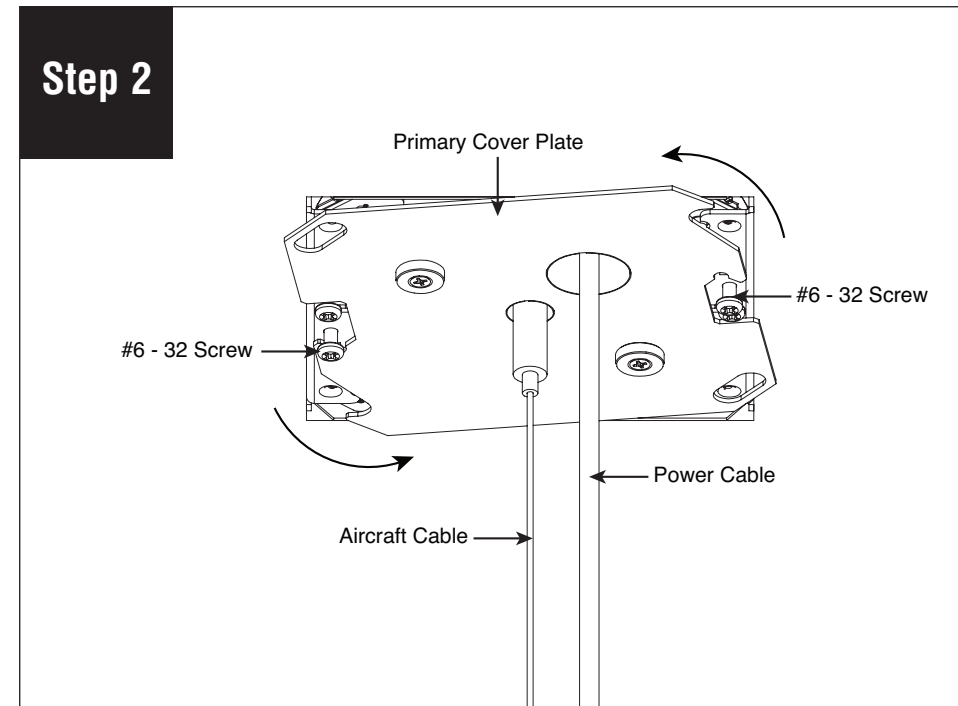


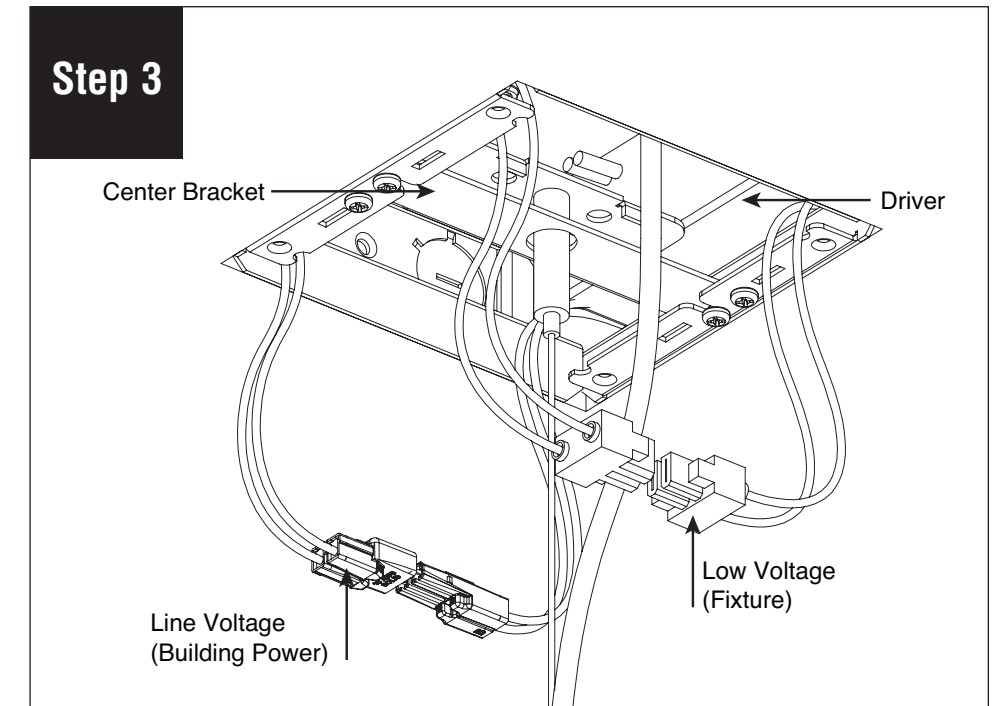
E1 - Indirect (Linear) Driver Replacement Installation Instructions



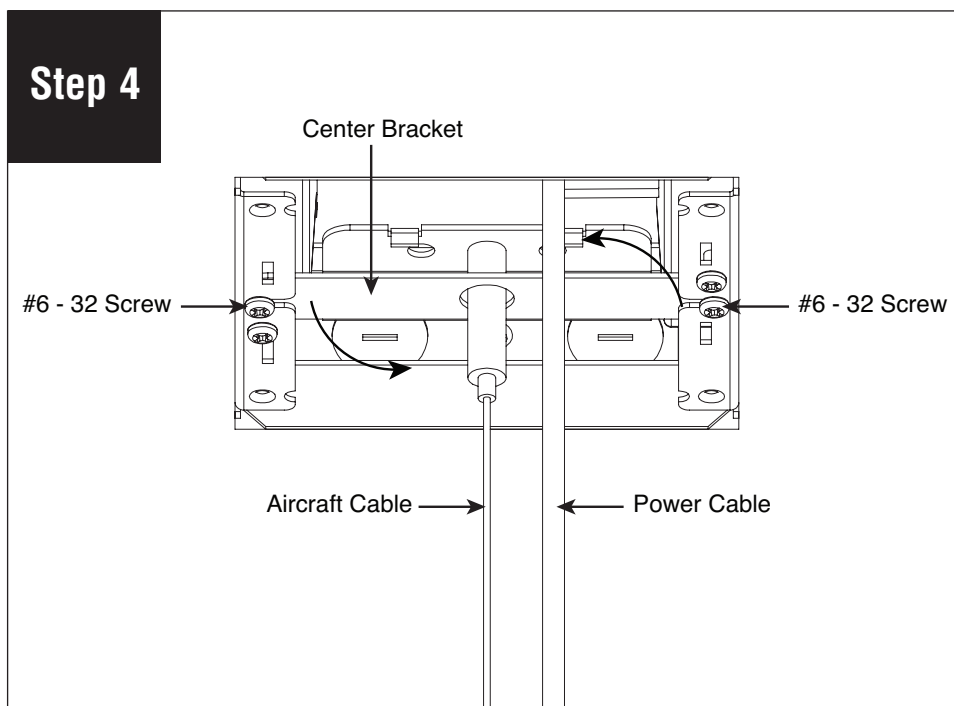
Remove decorative cover.



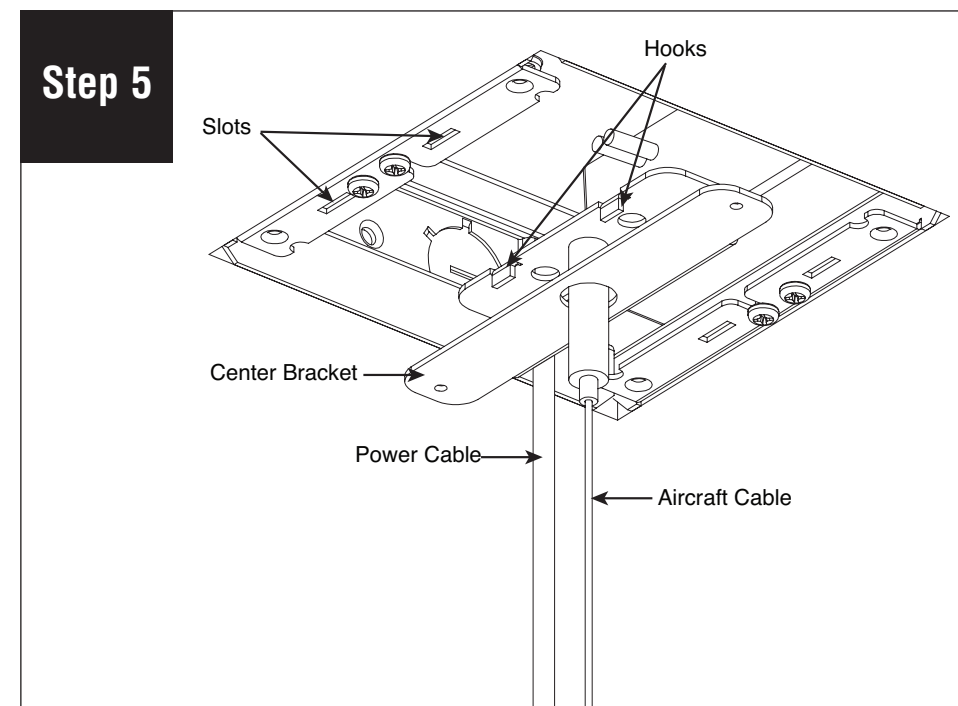
Remove primary cover plate by loosening 2x #6-32 screws and rotating cover plate.



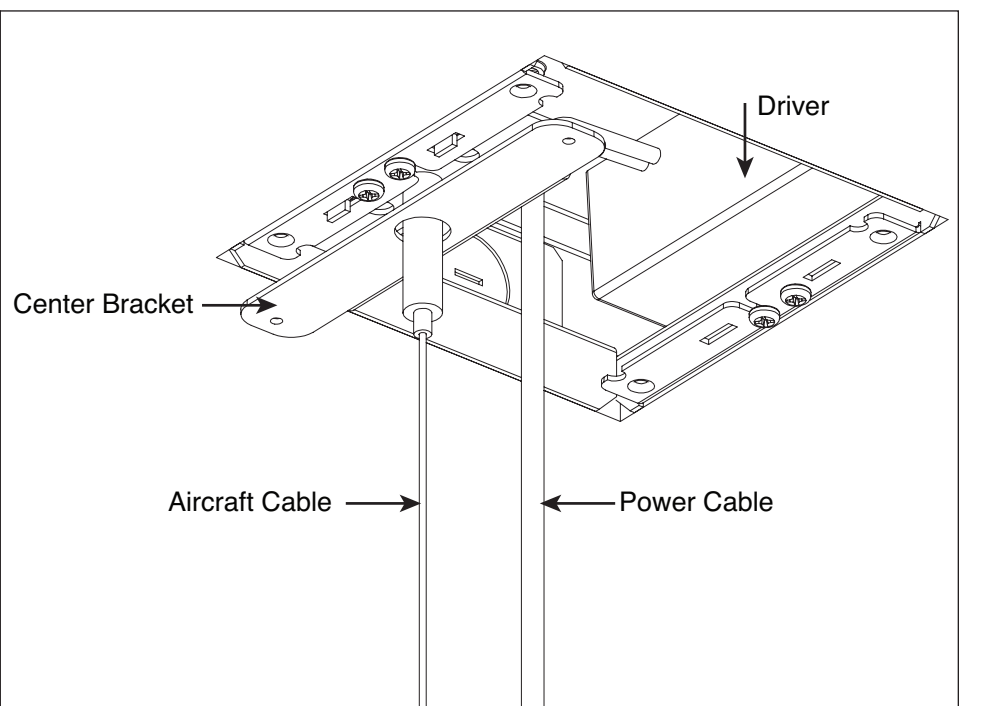
Locate and unplug all driver disconnects.



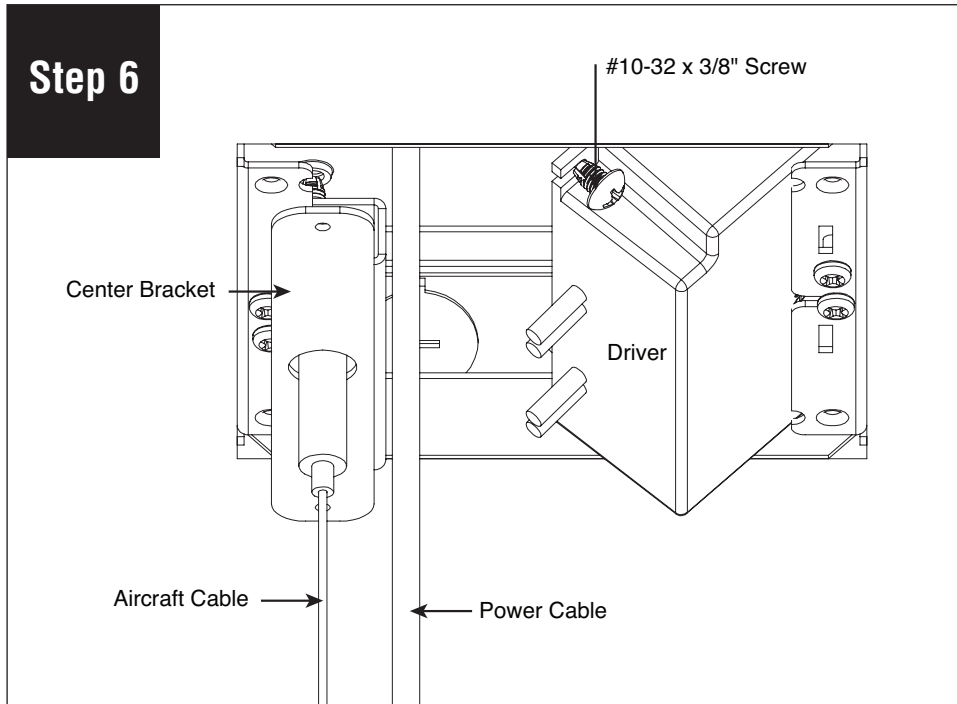
Remove center bracket by removing 2X #6-32 screws and rotating bracket.



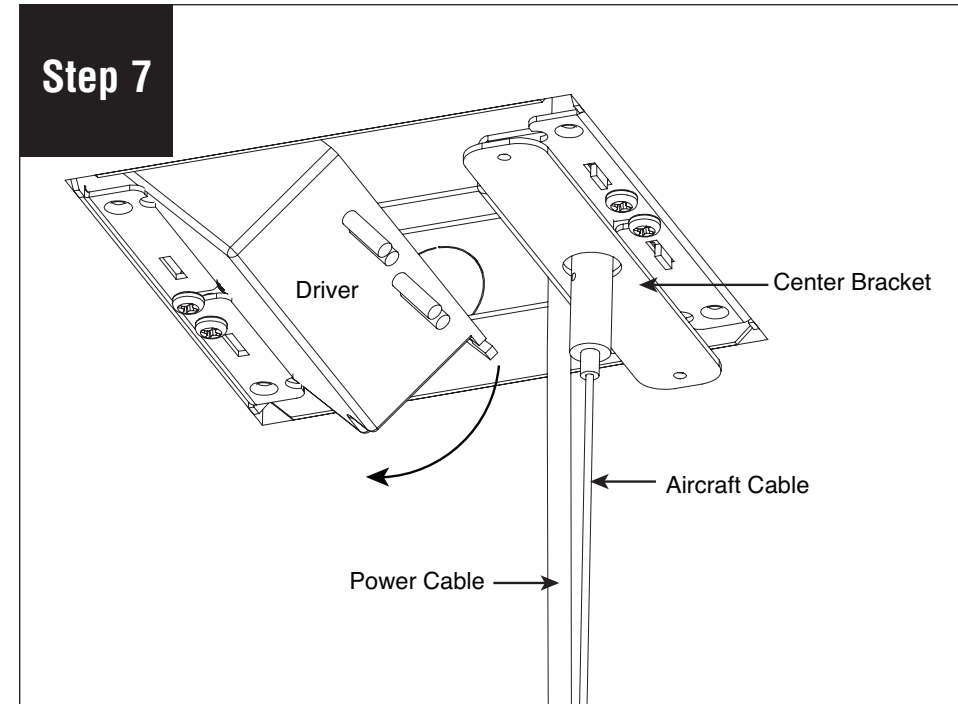
Engage hooks on center bracket with slots on the side of the box. Leave power cable attached to center bracket.



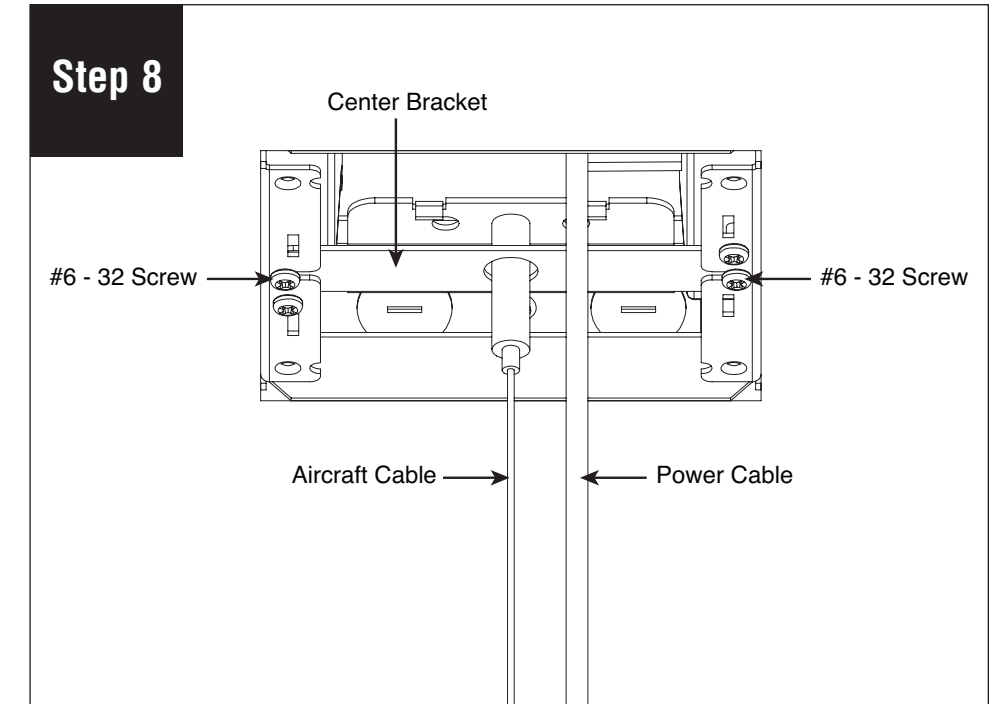
E1 - Indirect (Linear) Driver Replacement Installation Instructions



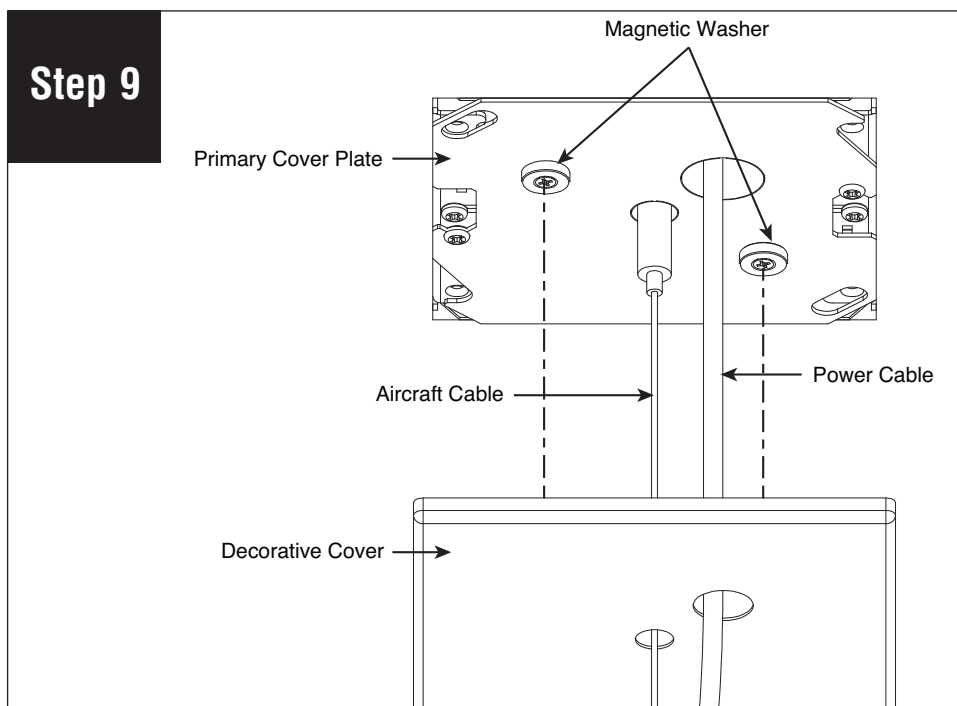
Remove #10-32 x 3/8" screw to release driver.



Slide the driver out from the power supply box. Mount new driver using driver screw and hook in power supply box. Reconnect driver to building power and fixture. Complete wiring according to national and local codes.



Re-install center bracket by reinstalling 2X #6-32 screws.



Replace primary cover plate and decorative cover.