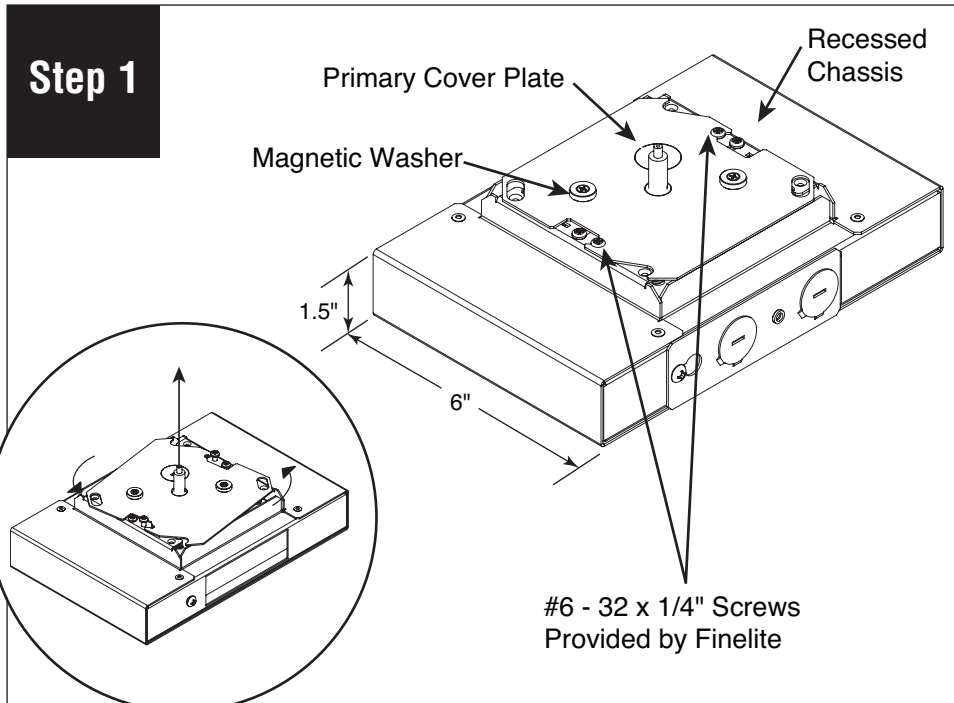
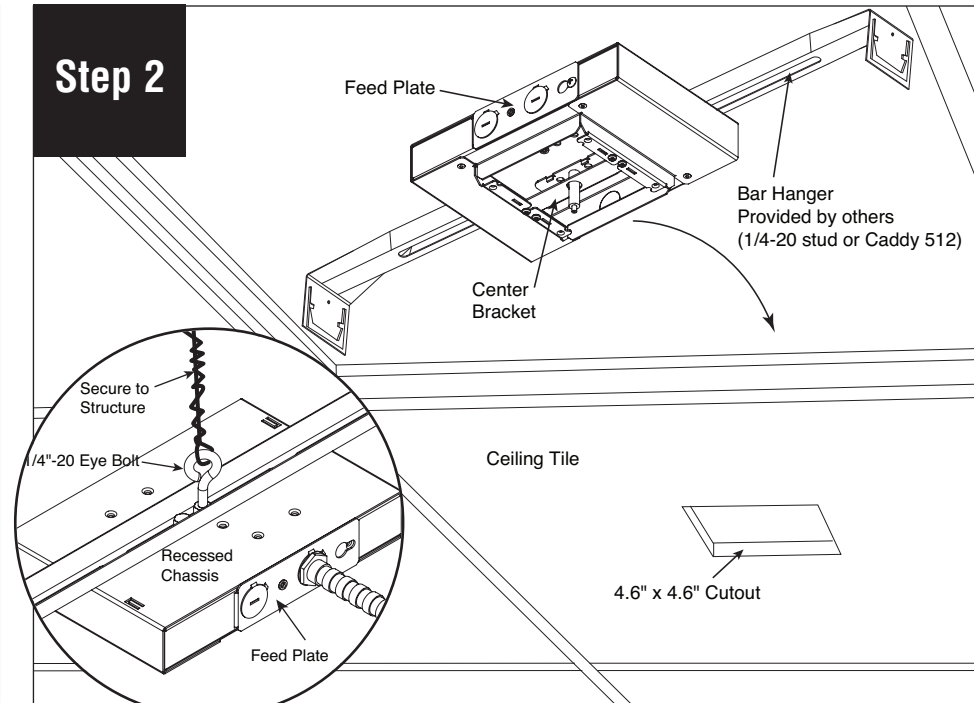


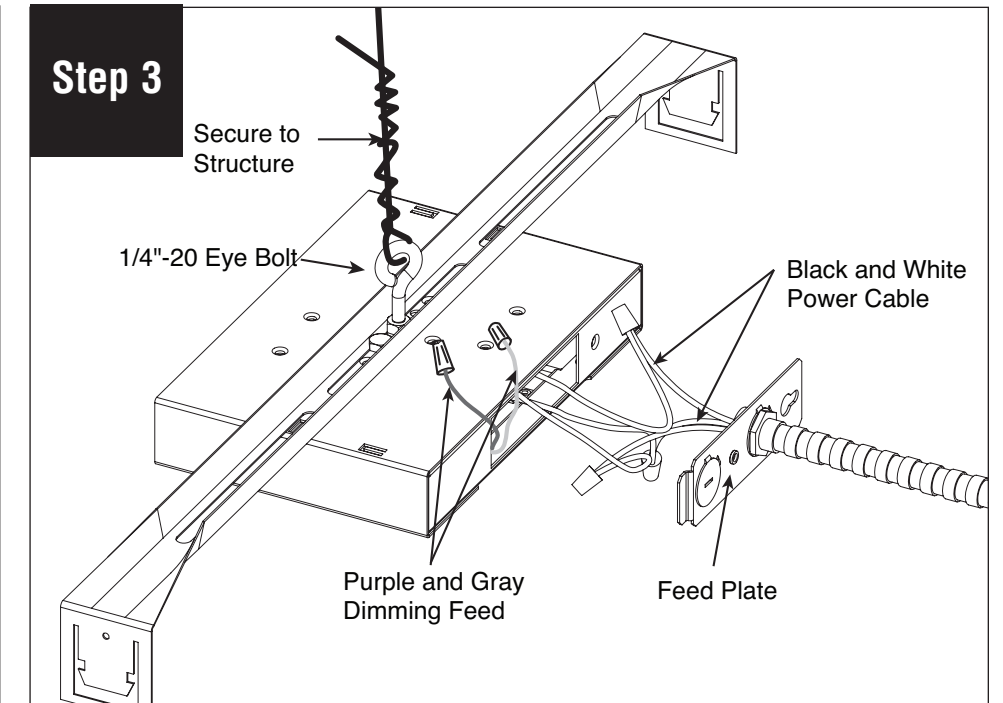
E1 - Indirect (Linear) Starter Installation Instructions



Remove recessed chassis from packaging. Loosen 2 #6 -32 x 1/4" screws (Provided by Finelite) with #2 Philips screw driver and rotate primary cover plate to remove.

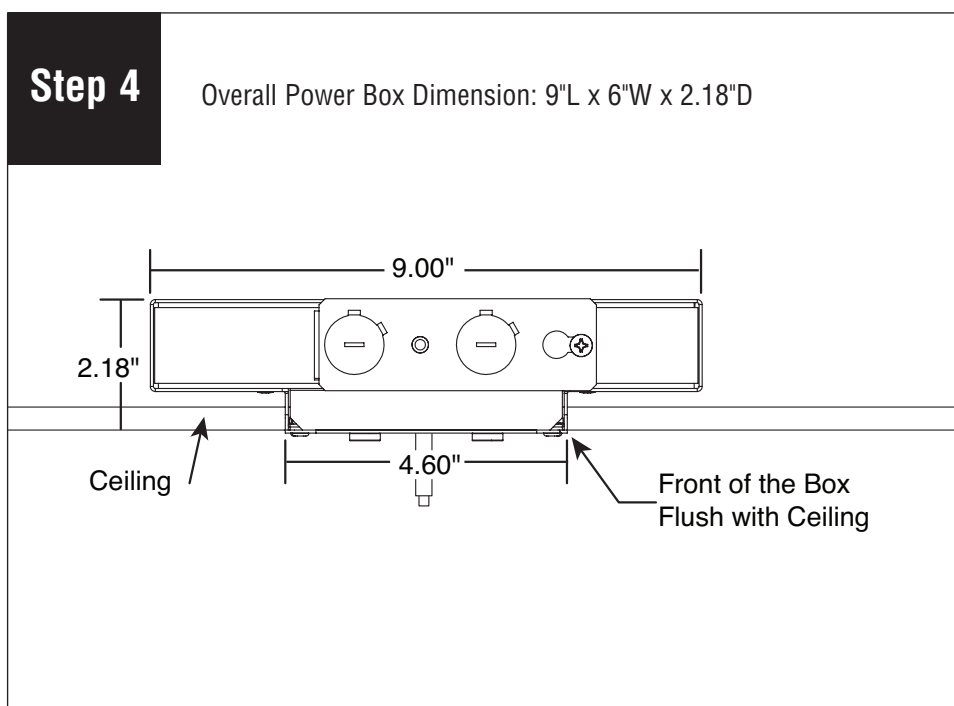


Cut 4.6" x 4.6" square rough opening in ceiling tile. Remove feed plate and if necessary, remove center bracket to mount recessed chassis onto bar hanger. Next mount the recessed chassis to ceiling grid over cut out. Support to structure according to local codes. Provide appropriate backing (1/4-20 stud or Caddy 512 recommended).

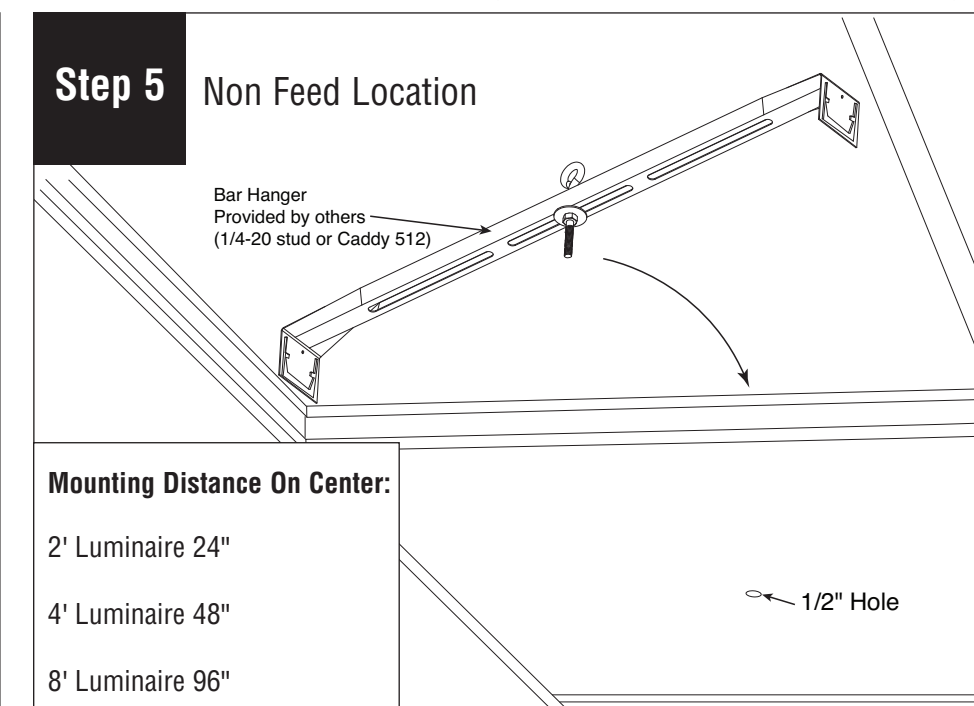


Connect conduit to the feed plate and make electrical connections*. Reinstall the feed plate to the recessed chassis. Connect purple and grey dimming wires to dimming system or cap them individually if luminaire is not to be dimmed.

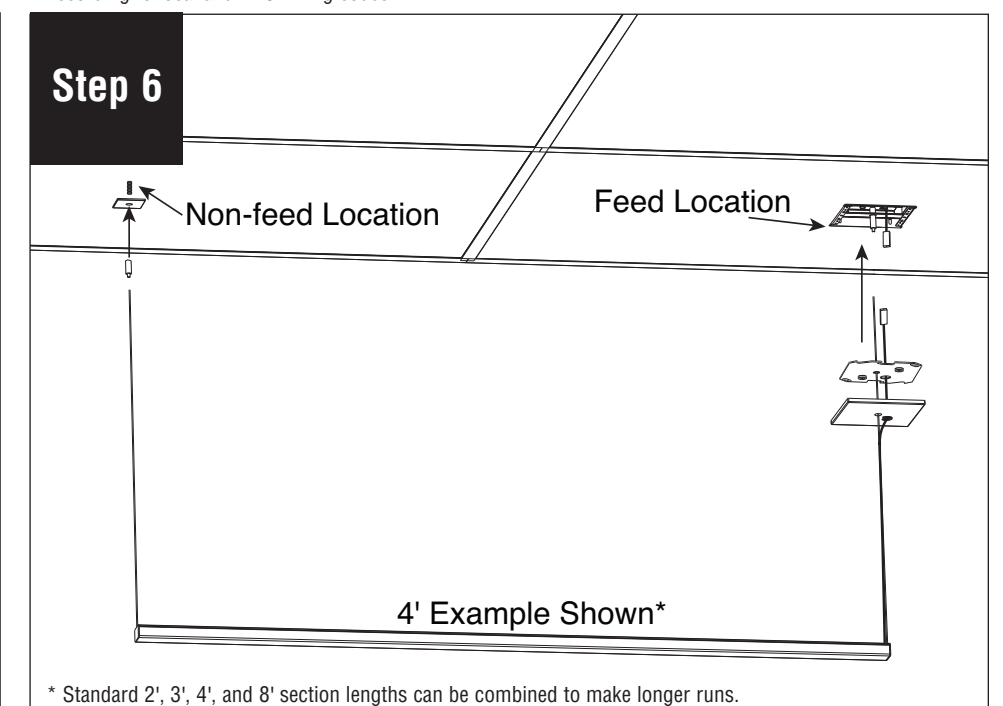
*According to local and NEC wiring codes



Ensure that front of power supply box is flush with ceiling.



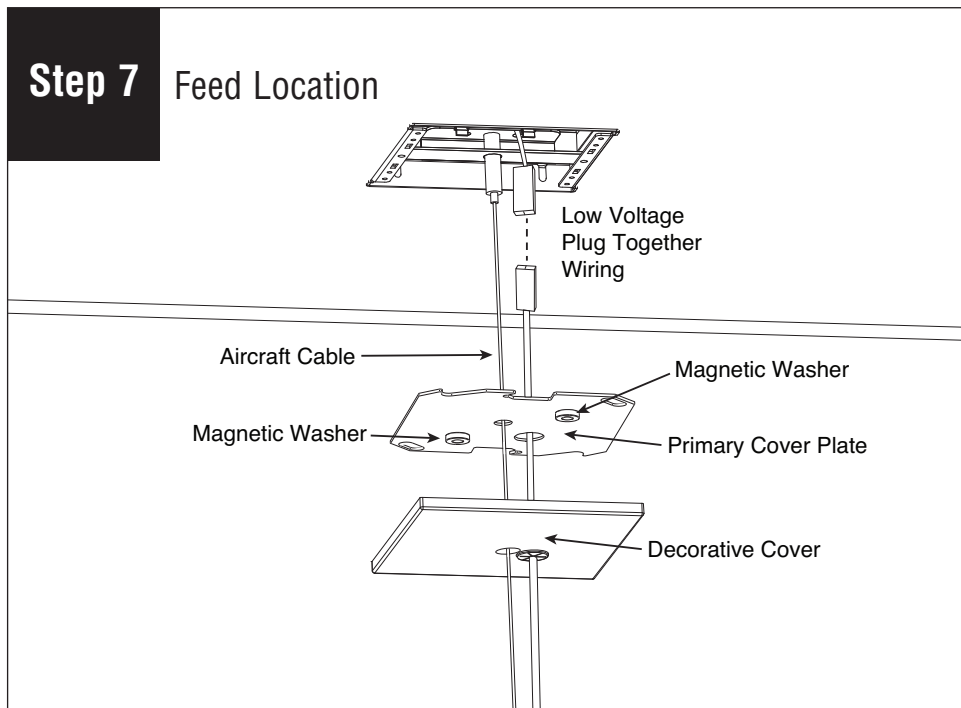
Install additional suspension point and support to structure according to local codes. (Luminaire may be mounted on-grid by using T-Bar clip.)



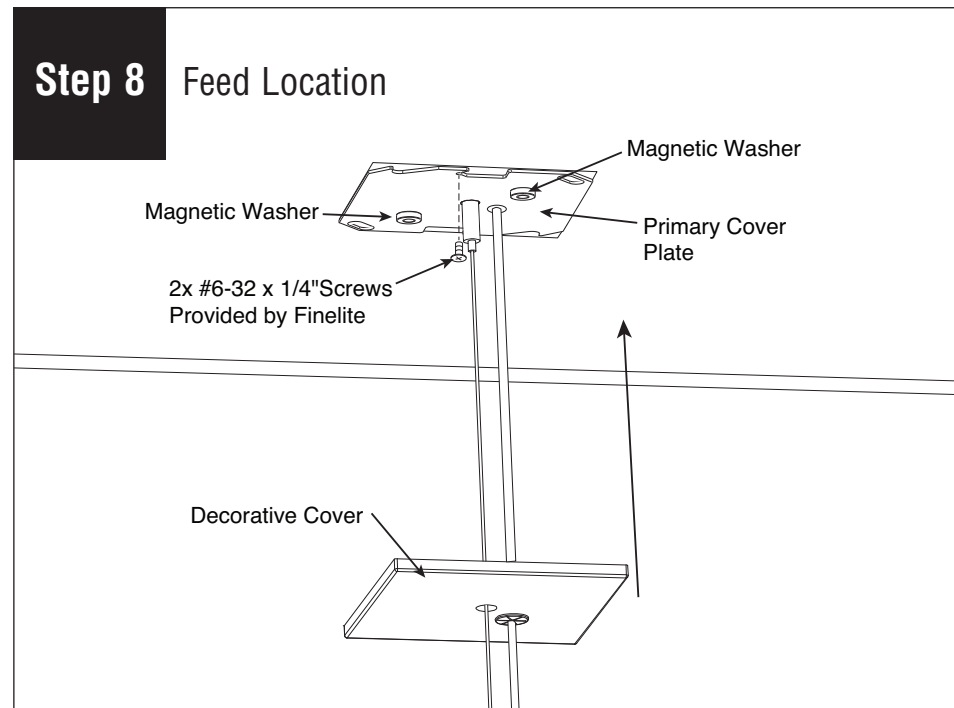
* Standard 2', 3', 4', and 8' section lengths can be combined to make longer runs.

Prepare fixture for installation as shown.

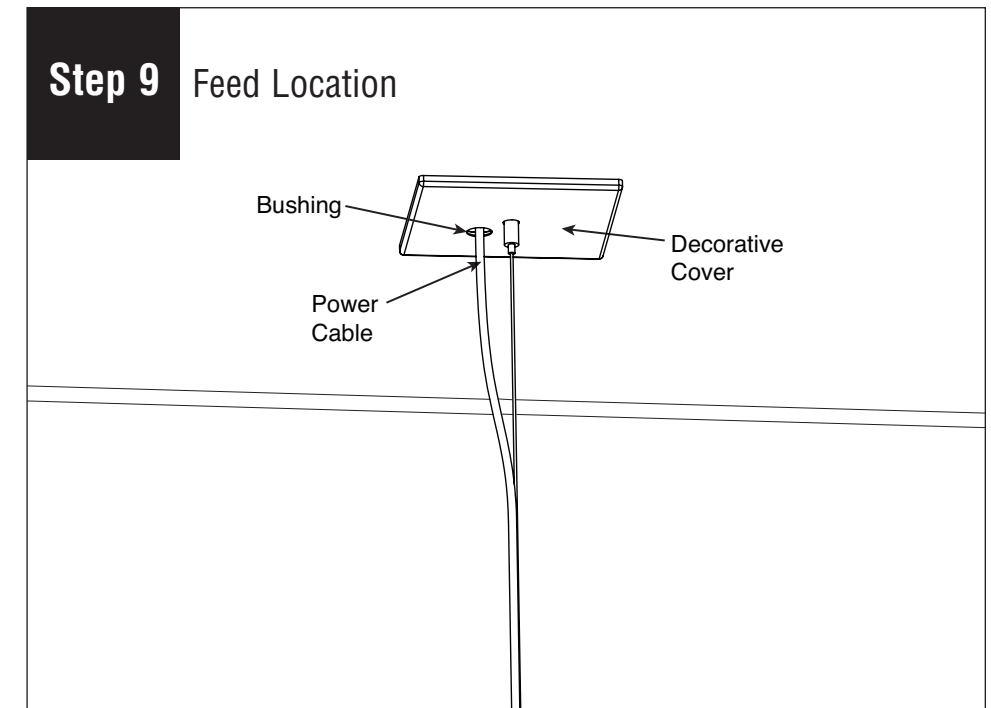
E1 - Indirect (Linear) Starter Installation Instructions



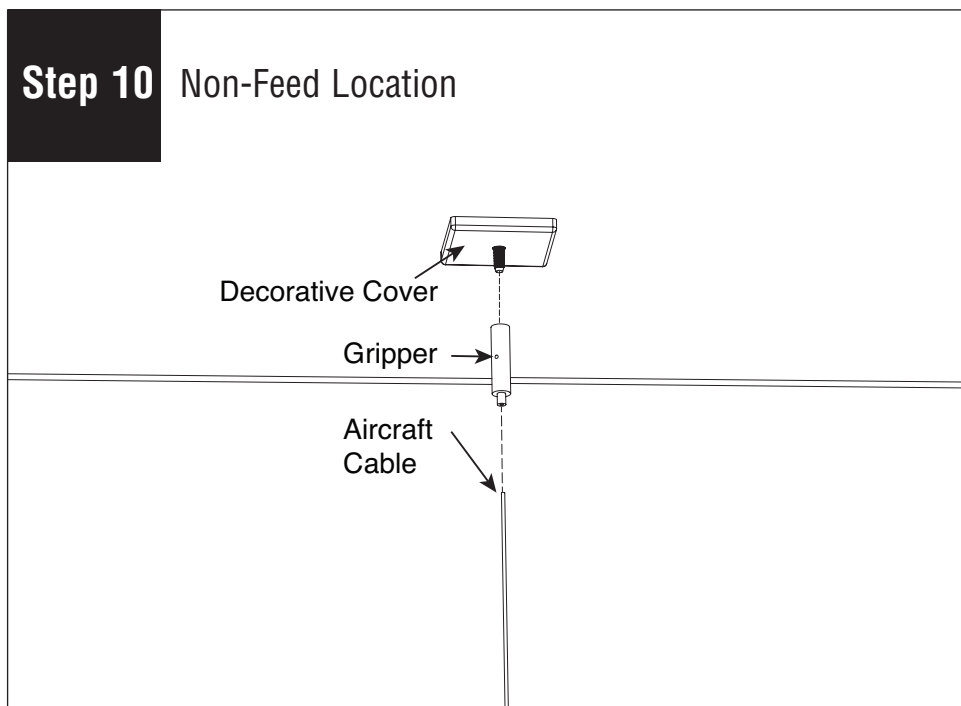
String 5" decorative cover and primary cover plate over aircraft cable and low voltage power feeds. Insert aircraft cable into gripper to desired height and level fixture. Connect low voltage plug together wiring.



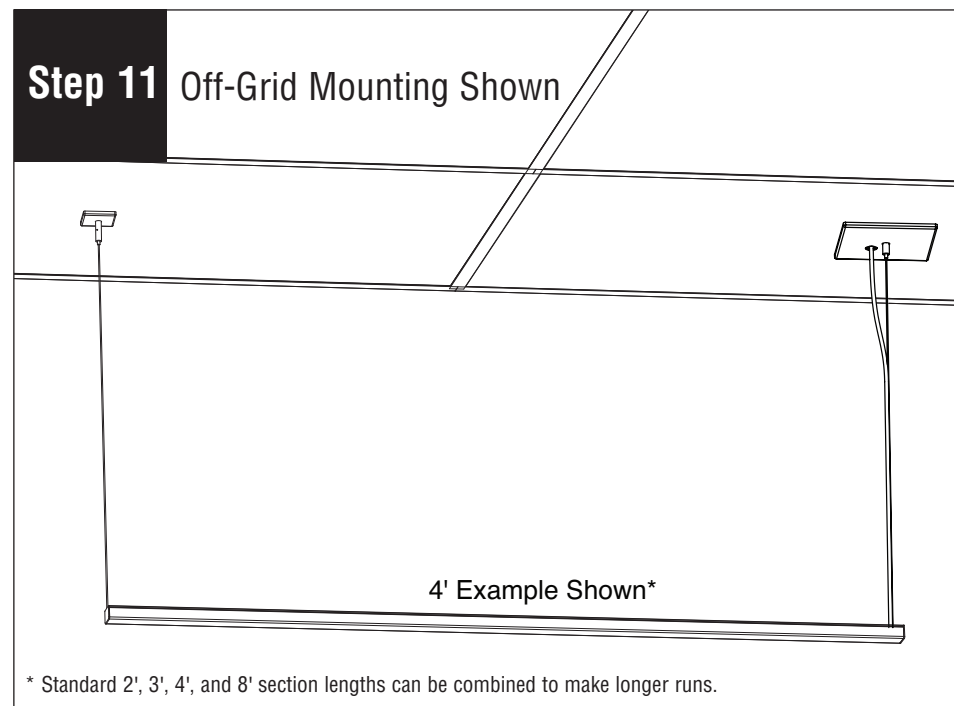
Replace primary cover plate by tightening 2x #6-32 x 1/4" screws (Provided by Finelite).



Attach decorative cover to magnetic washers (already installed) on the primary cover plate.

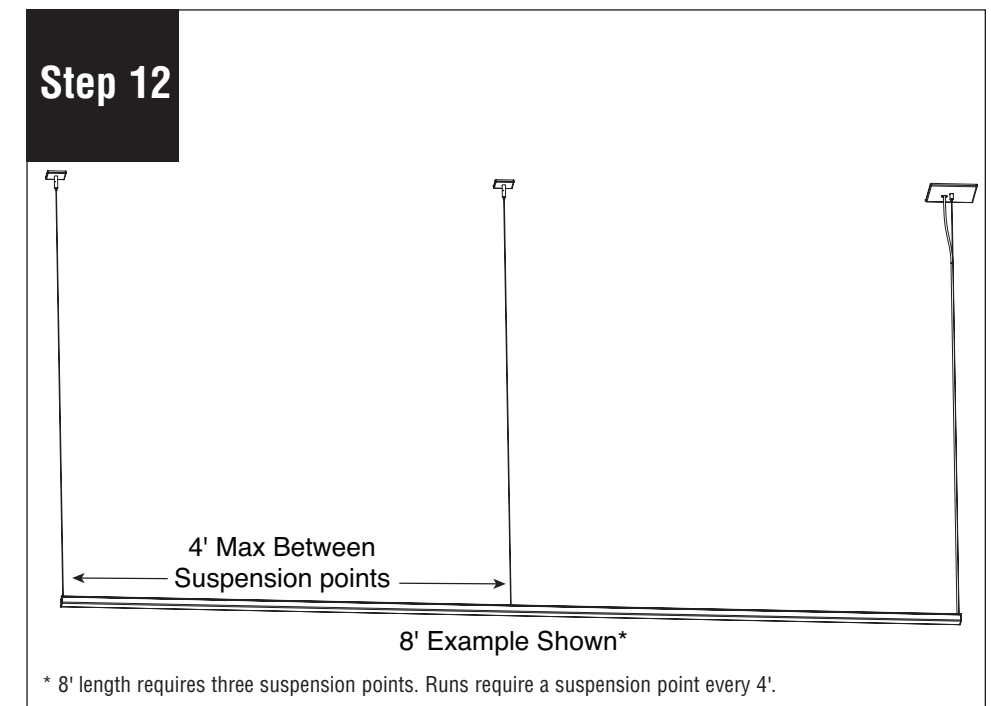


Secure 2" decorative cover to ceiling using gripper. Insert aircraft cable into gripper to desired height and level fixture. After leveling fixture, trim off excess aircraft cable.



* Standard 2', 3', 4', and 8' section lengths can be combined to make longer runs.

Turn power on and test fixture. (On-grid mounting available by request.)



* 8' length requires three suspension points. Runs require a suspension point every 4'.

4' max between suspension points in 8' fixture.