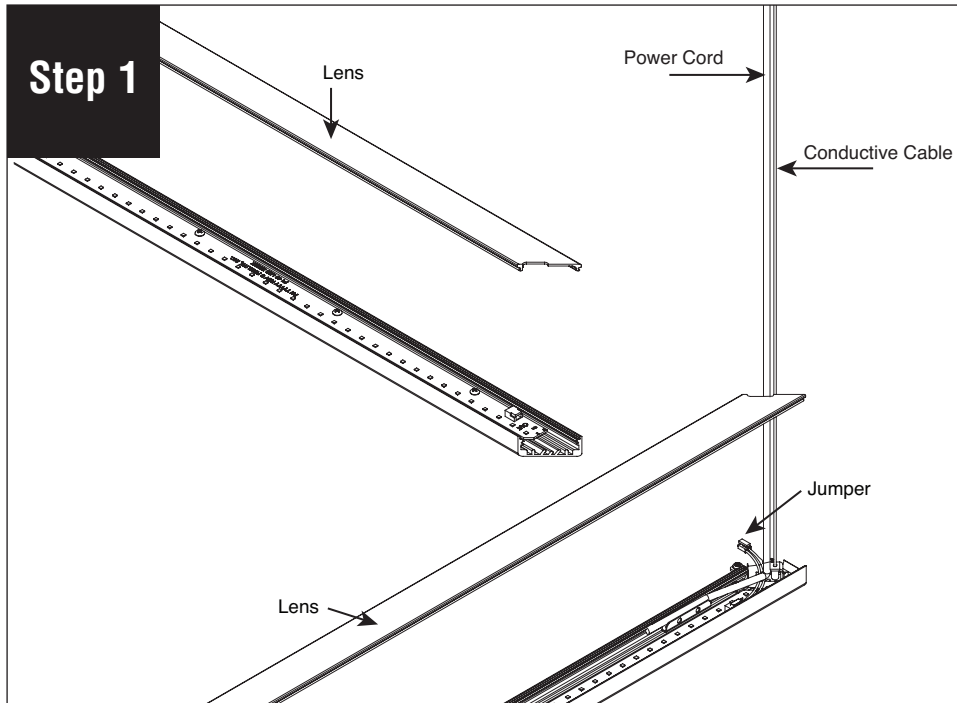
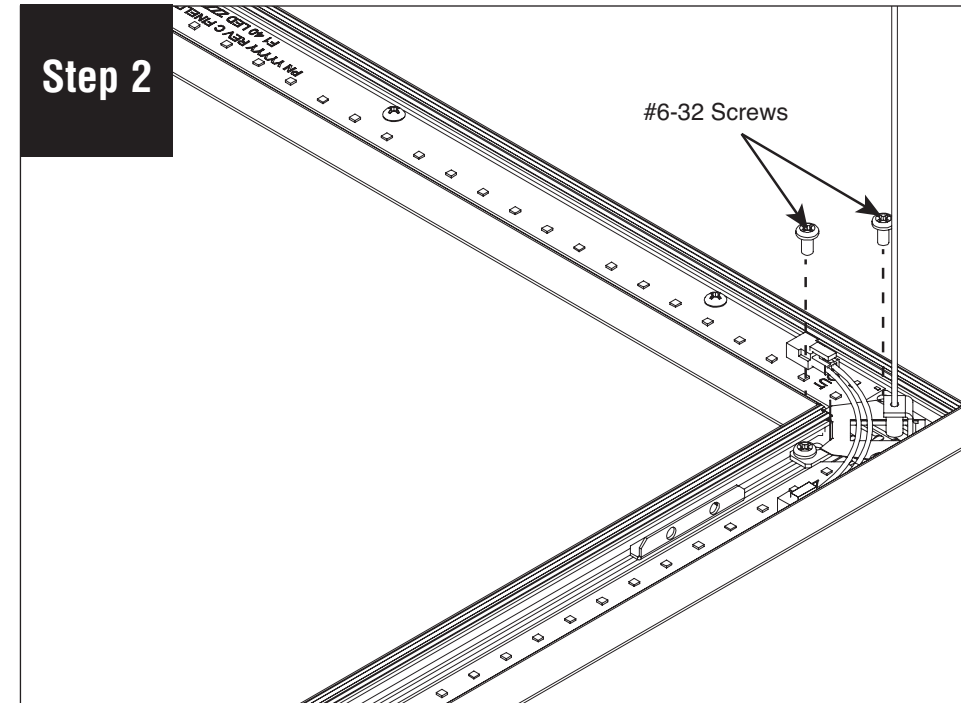


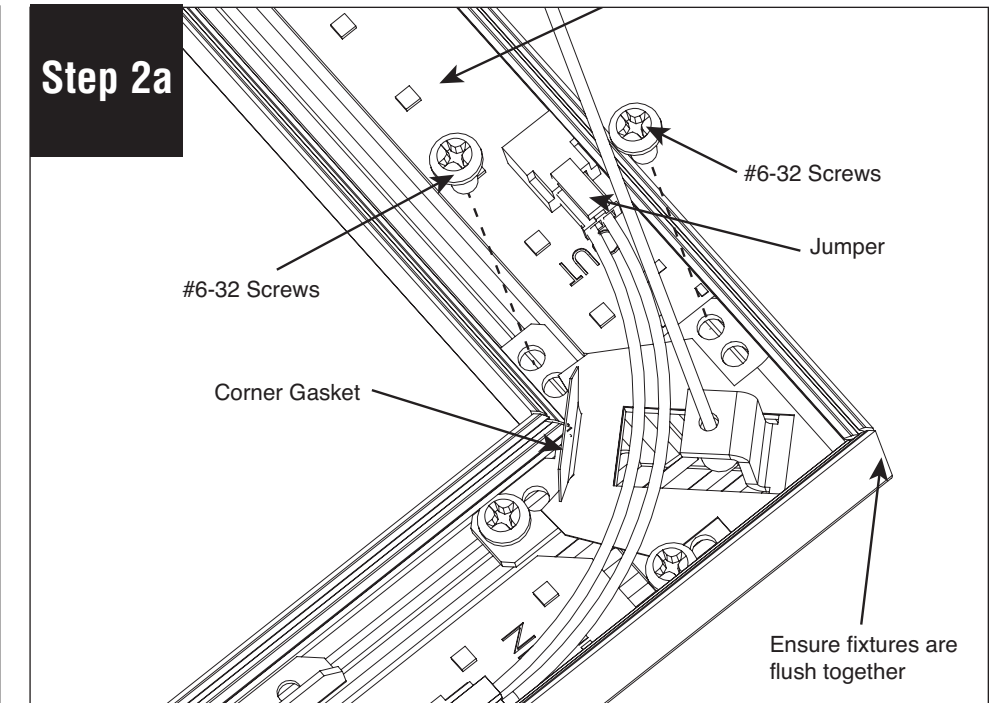
E1 - Indirect (Linear) Corner Assembly Installation Instructions



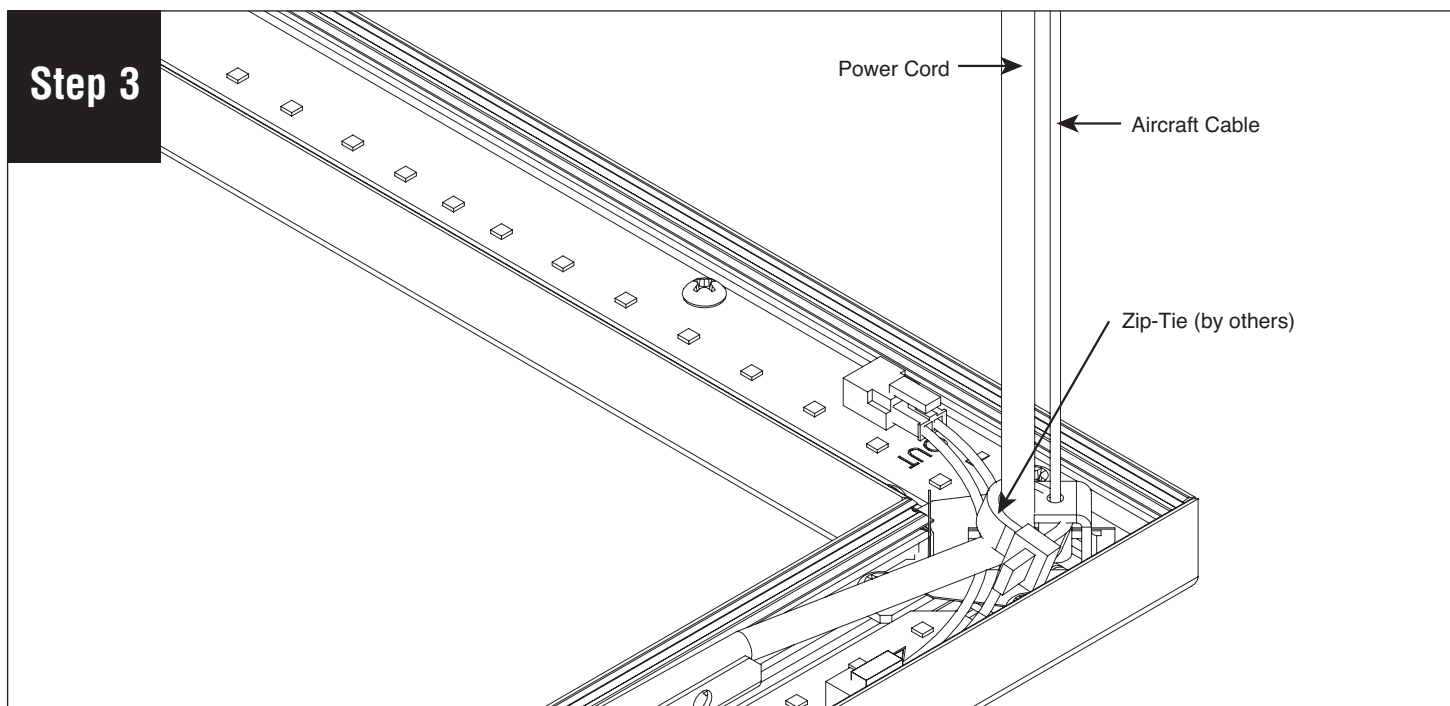
Remove fixtures from packaging. Arrange according to ID number and hang from ceiling. Gently remove lenses



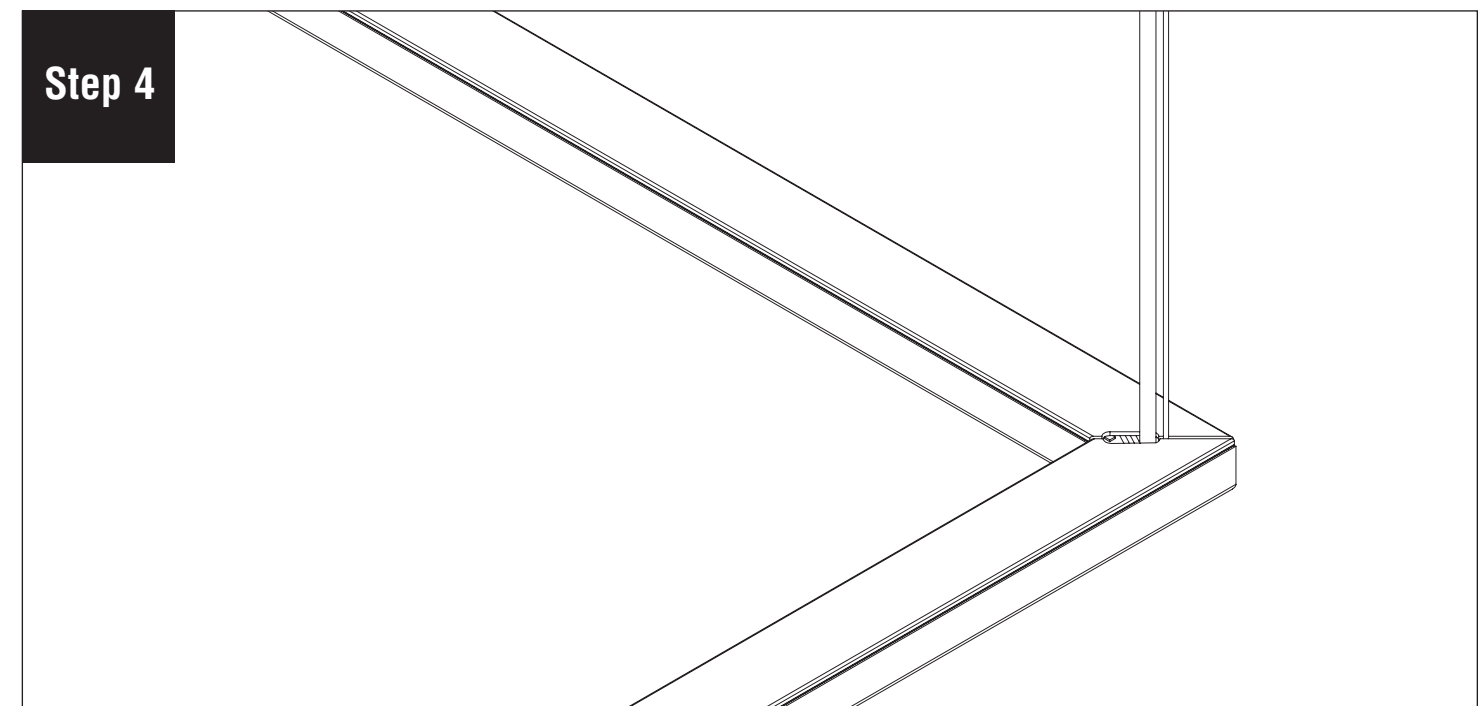
Fit fixtures together. Plug corner jumper into board and join fixtures using 2X #6-32 screws.



Plugging jumper into LED board. Install 2 #6-32 x 1/4" screw to join fixtures. Ensure that fixtures are flush together. For best results, install screws fully. Press corner gasket down to prevent light leaks. Remove backing on gasket if necessary.



To secure power cord to fixture, zip-tie (by others) power cord to ferrule of aircraft cable. (Optional)



Repeat step 2 and 3 as necessary to complete layout. Reinstall all lenses and power on fixture.