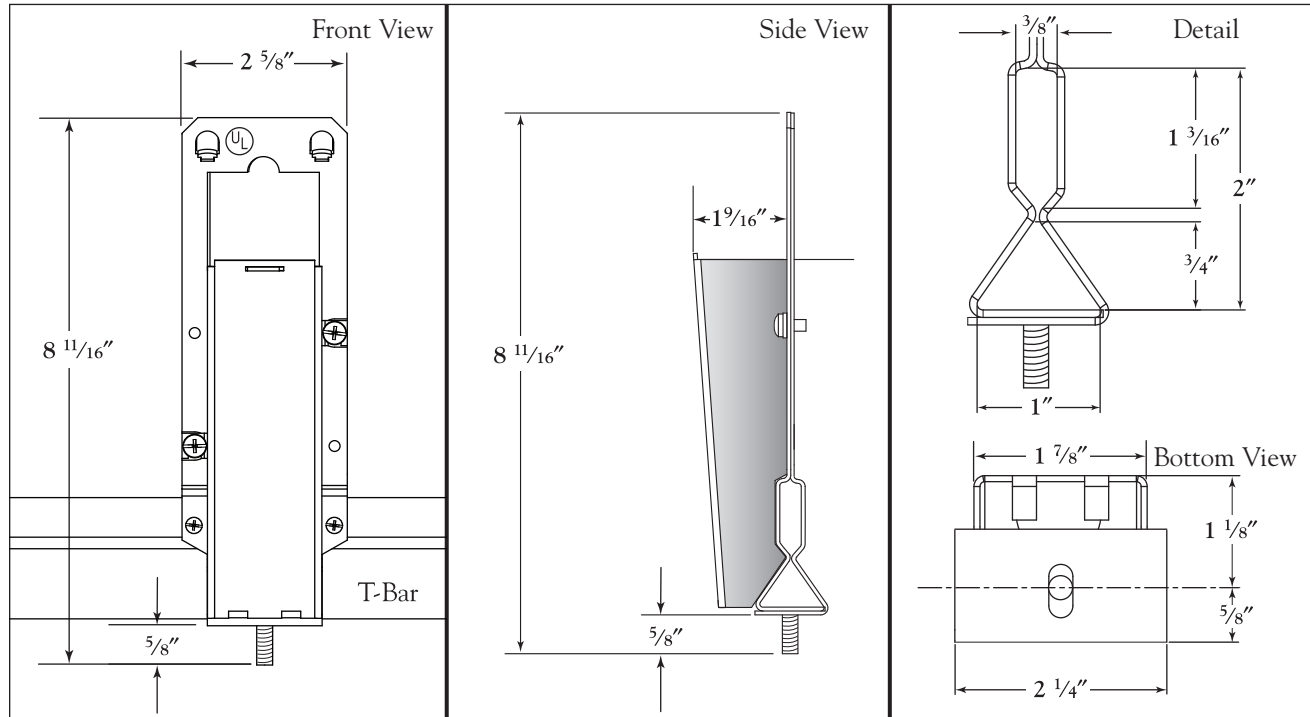
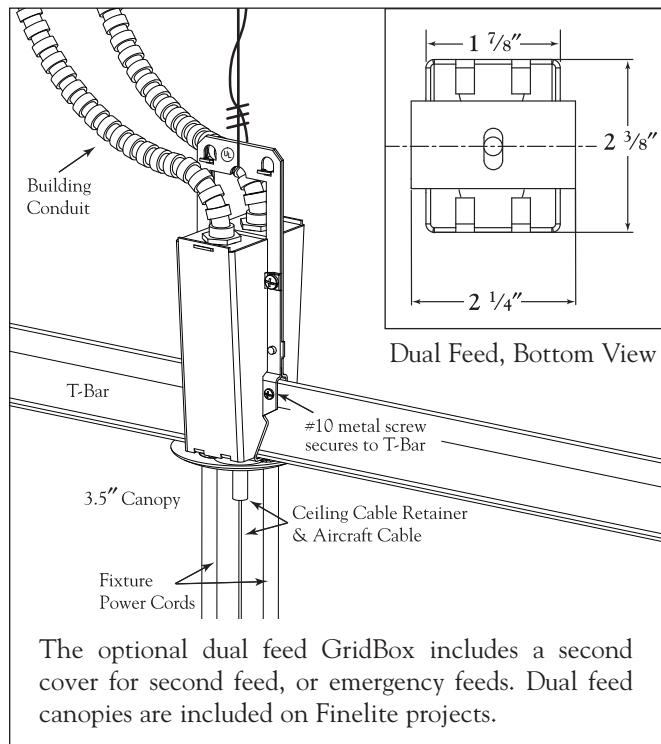


The GridBox™ is the first UL® listed electrical box designed to be mounted On-Grid. The GridBox meets national codes, including Section 400.8 and Section 314.20 of the National Electric Code (NEC).

DIMENSIONS



OPTIONAL DUAL FEED



SPECIFICATIONS

CONSTRUCTION: 16-gauge galvanized steel. GridBox mounts directly to the T-Bar. Includes 1/4" x 20 stud for luminaire mounting. GridBox accommodates 1/2" conduit connectors. Ground screws are included. Product must be secured to structure in accordance with local building codes.

VOLUME: 10.5 cubic inches.

LABELS: UL & CUL listed. Suitable for damp locations.

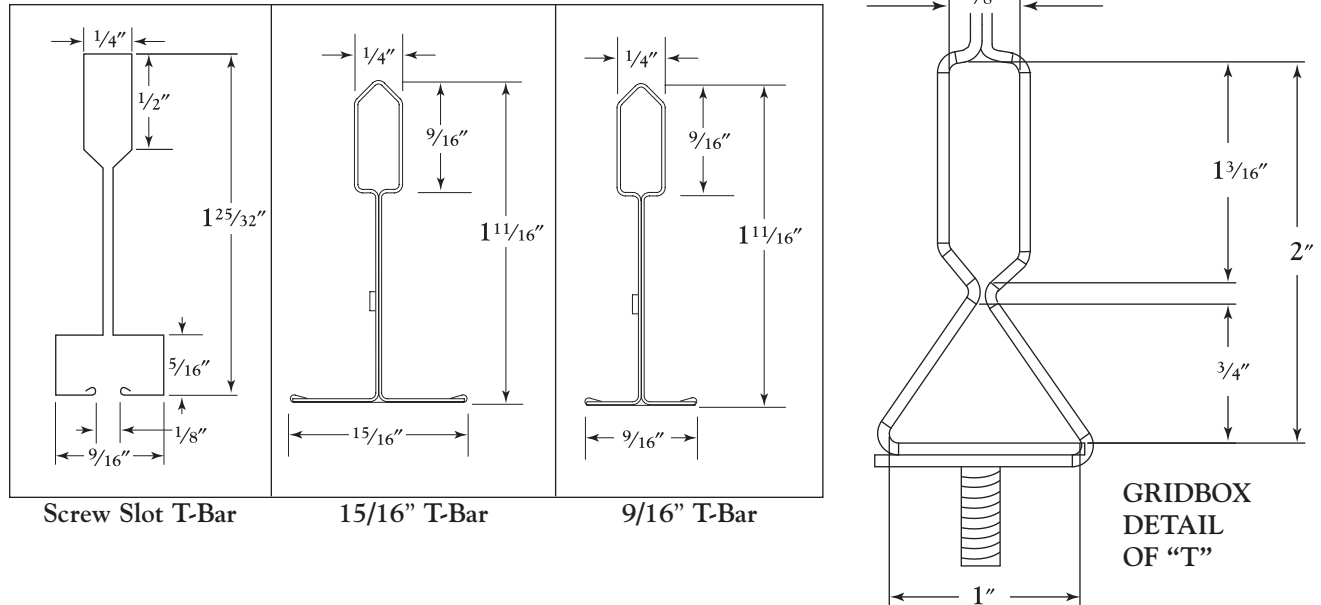
CEILING TYPES: The GridBox is approved for use with most ceiling grid types, including 15/16" T-Bar, 9/16" T-Bar and screw slot.

ORDERING: The GridBox is the Finelite standard. One GridBox will be shipped for every feed location. Additional units may be ordered.

| Ordering Code | Description |
|---------------|----------------------------|
| GB1 | Single Feed |
| GB2 | Dual Feed |
| CPGB1 | Chicago Plenum Single Feed |
| CPGB2 | Chicago Plenum Dual Feed |

CEILING SYSTEMS INFORMATION

GridBox™ accepts a wide variety of ceiling grid types, including the following:

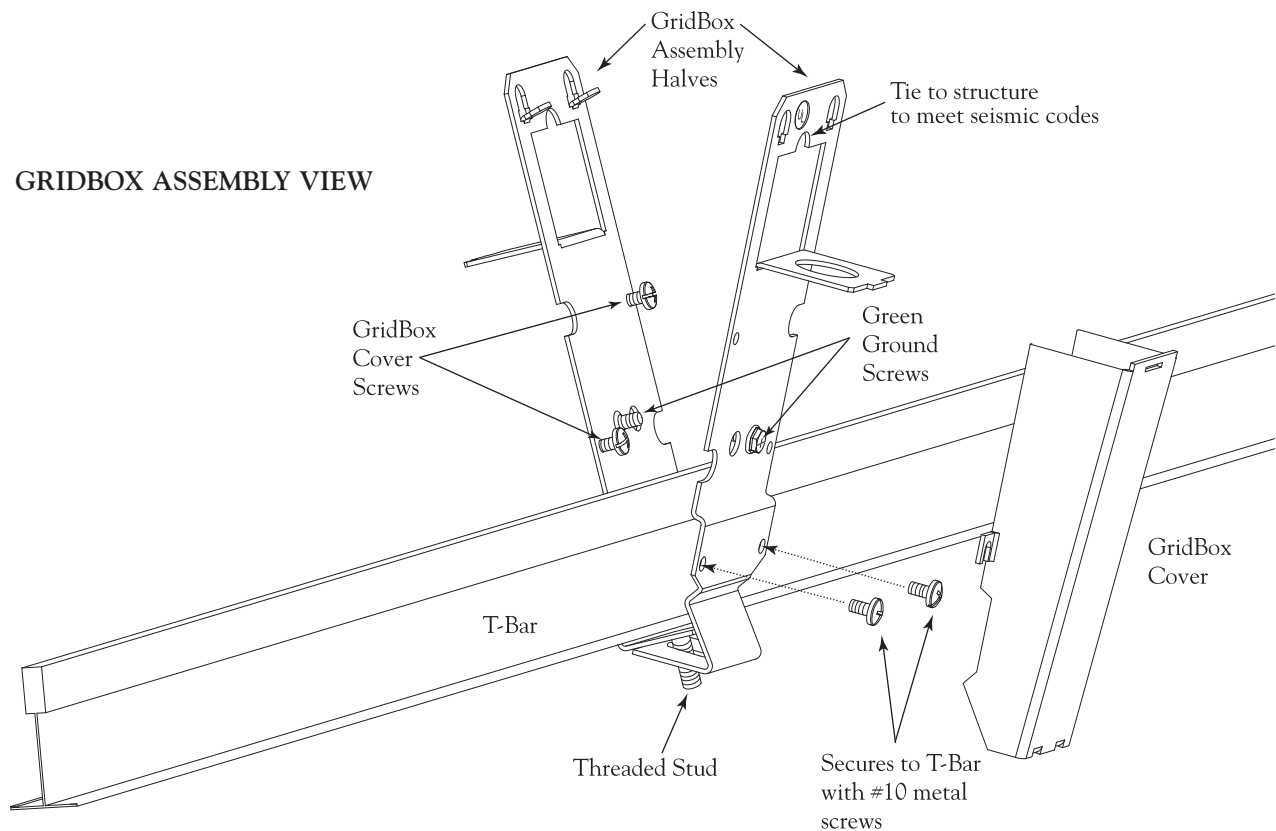


PRODUCT SPECIFICATION

Electrical boxes for linear indirect luminaires shall be UL listed and designed to mount directly to the ceiling grid. The luminaire power feed shall enter into a junction box

at or below the ceiling plane in accordance with UL accepted interpretations of the NEC 400.8.

GRIDBOX ASSEMBLY VIEW



© 2010 FINELITE, INC. ALL RIGHTS RESERVED. Form CTK0032.8/10