

The GridBox™ is the first UL® listed electrical box designed to be mounted On-Grid. The GridBox meets national codes, including Section 400.8 and Section 314.20 of the National Electric Code (NEC).

Understanding The Code

Article 400 of the National Electric Code covers:
Flexible Cords and Cables

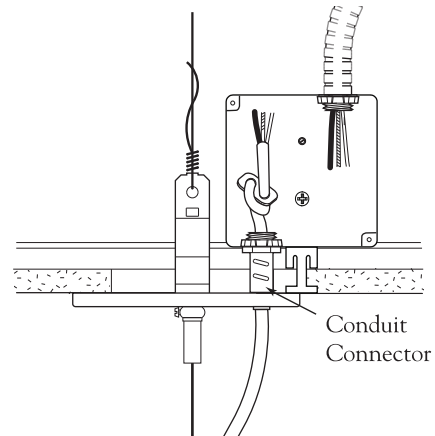
“Section 400.8 Uses Not Permitted. Unless specifically permitted in Section 400.7, flexible cords shall not be used (1) as a substitute for the fixed wiring of a structure; (2) where run through holes in walls, ceilings, or floors... (5) where concealed behind building walls, ceilings, or floors; or (6) where installed in raceways, except as otherwise permitted in this Code.”

(Emphasis by Finelite)

Article 314 of the National Electric Code covers:
*Outlet, Device, Pull and Junction Boxes,
Conduit Bodies and Fittings*

“314.20 In Walls or Ceiling. In walls or ceilings of concrete, tile, or other noncombustible material, boxes shall be installed so that the front edge of the box will not be set back of the finished surface more than 1/4” (6.35mm).”

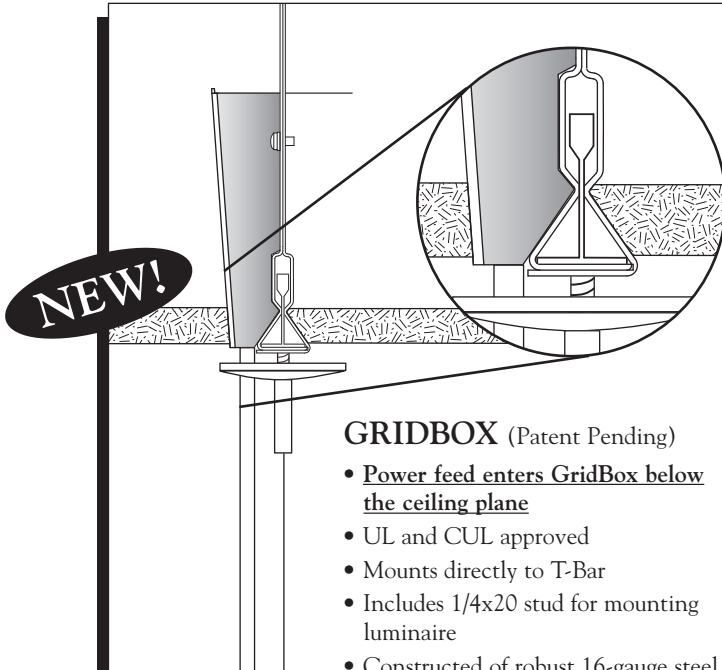
THIS METHOD WILL NO LONGER BE ALLOWED!



Building inspectors may NOT approve this feed method because of the following reasons:

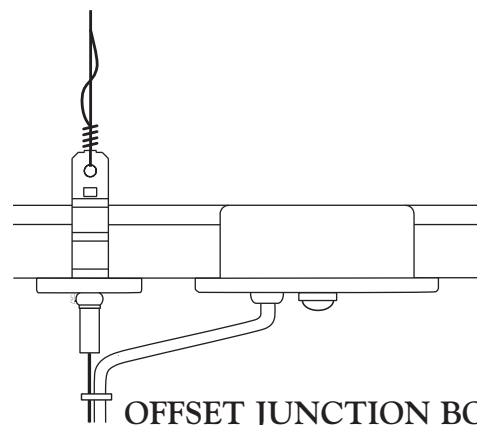
- The conduit connector is considered a raceway (see article 100 - definitions). Therefore this method is **excluded** by NEC Section 400.8(6).
- The cord does not pass directly into a junction box and, therefore is not permitted as stated in NEC Section 400.8(2). Also, see Section 314.20 for additional code on this point.

AVOID POSSIBLE JOB PROBLEMS. USE ONE OF THESE TWO METHODS TO MEET THE CODE.



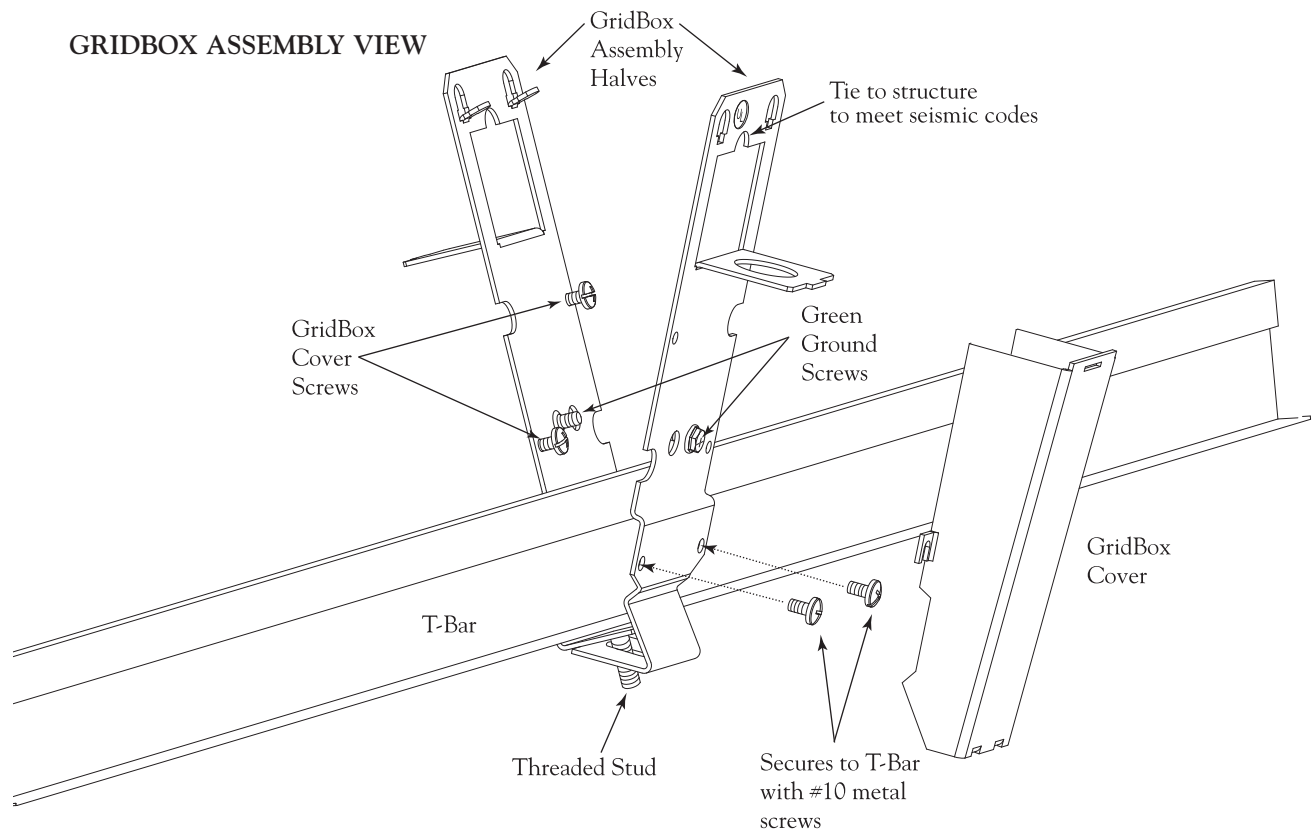
GRIDBOX (Patent Pending)

- Power feed enters GridBox below the ceiling plane
- UL and CUL approved
- Mounts directly to T-Bar
- Includes 1/4x20 stud for mounting luminaire
- Constructed of robust 16-gauge steel



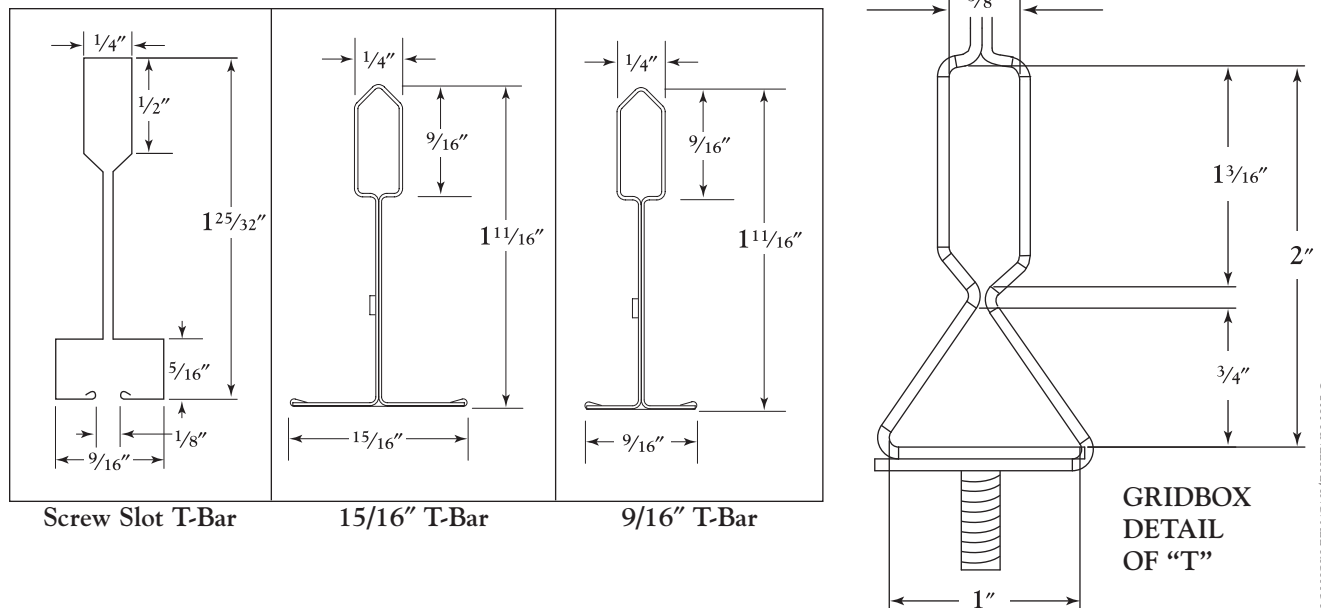
OFFSET JUNCTION BOX

- Off-Grid feed solution
- Offset junction boxes are acceptable to UL and building inspectors
- The design community does not generally accept offset junction boxes for aesthetic reasons
- Installation costs are increased



CEILING SYSTEMS INFORMATION

GridBox accepts a wide variety of ceiling grid types, including the following:



© 2010 FINELITE, INC. ALL RIGHTS RESERVED. Form CTK0033.08/10

PRODUCT SPECIFICATION

Electrical boxes for linear indirect luminaires shall be UL listed and designed to mount directly to the ceiling grid. The luminaire power feed shall enter into a junction box at or below the ceiling plane in accordance with UL accepted interpretations of the NEC 400.8.