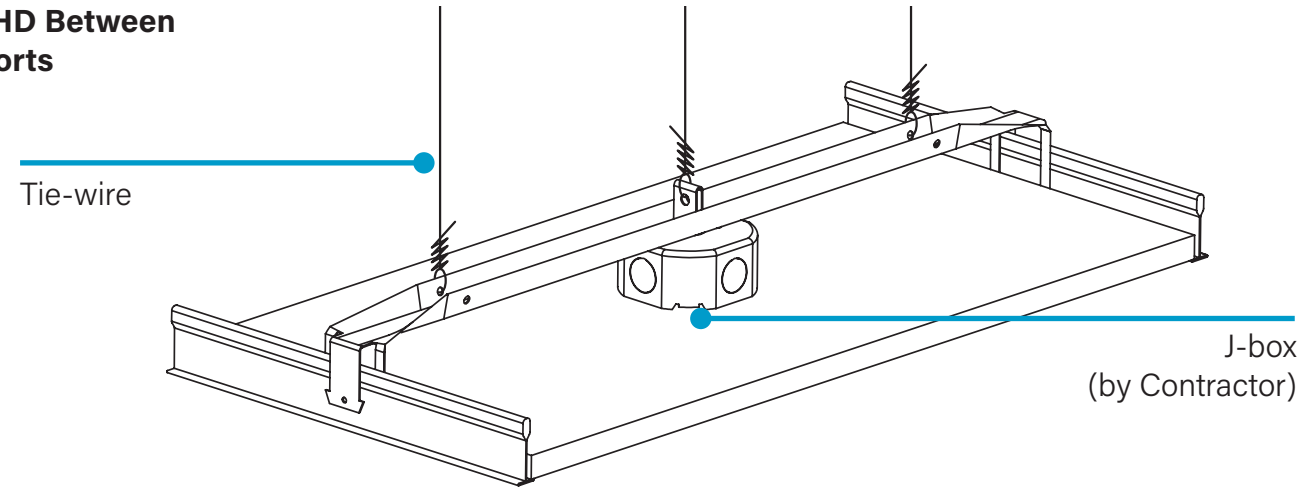


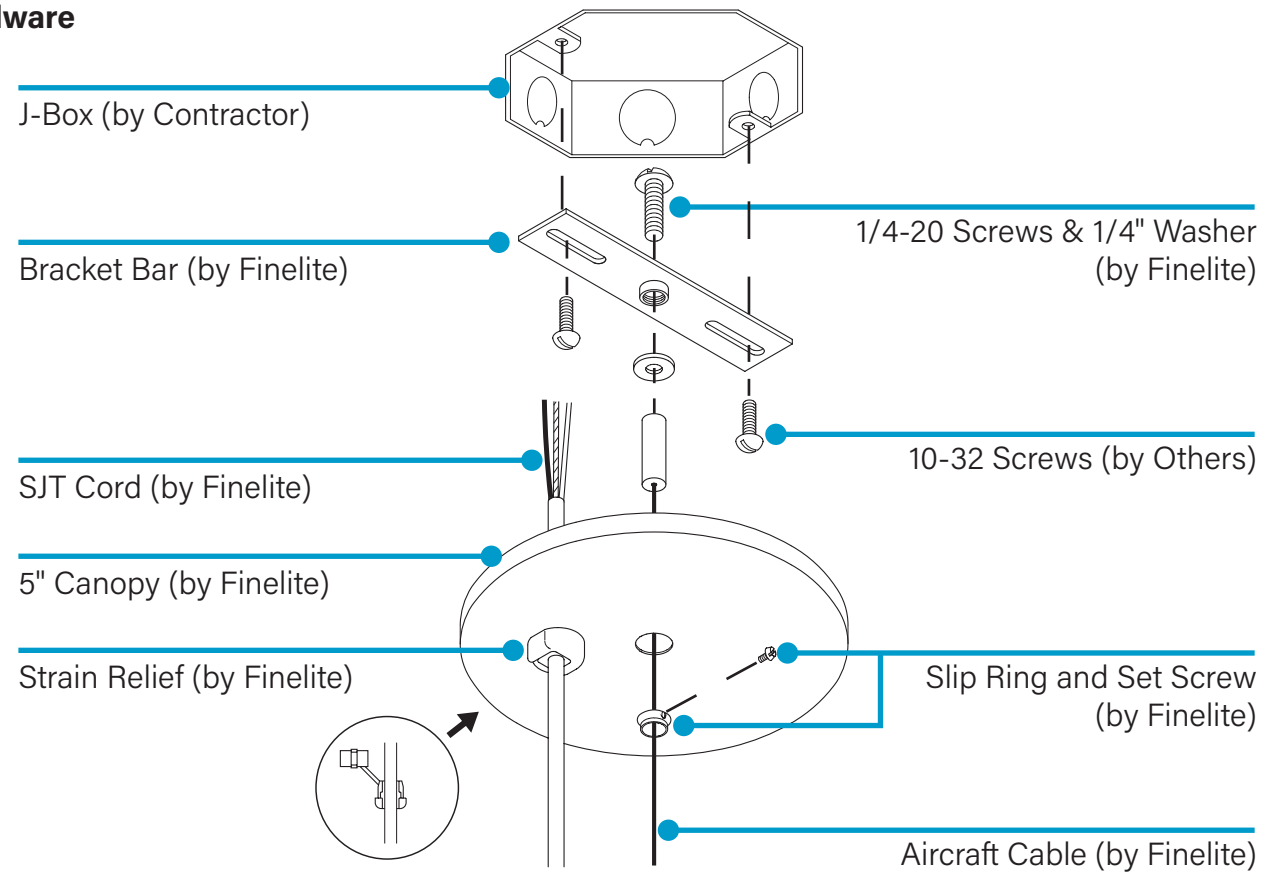
Off-Grid Mounting with Caddy 512 HD with Finelite Hardware

Power Connection & Support

Caddy 512 HD Between T-bar Supports
89316



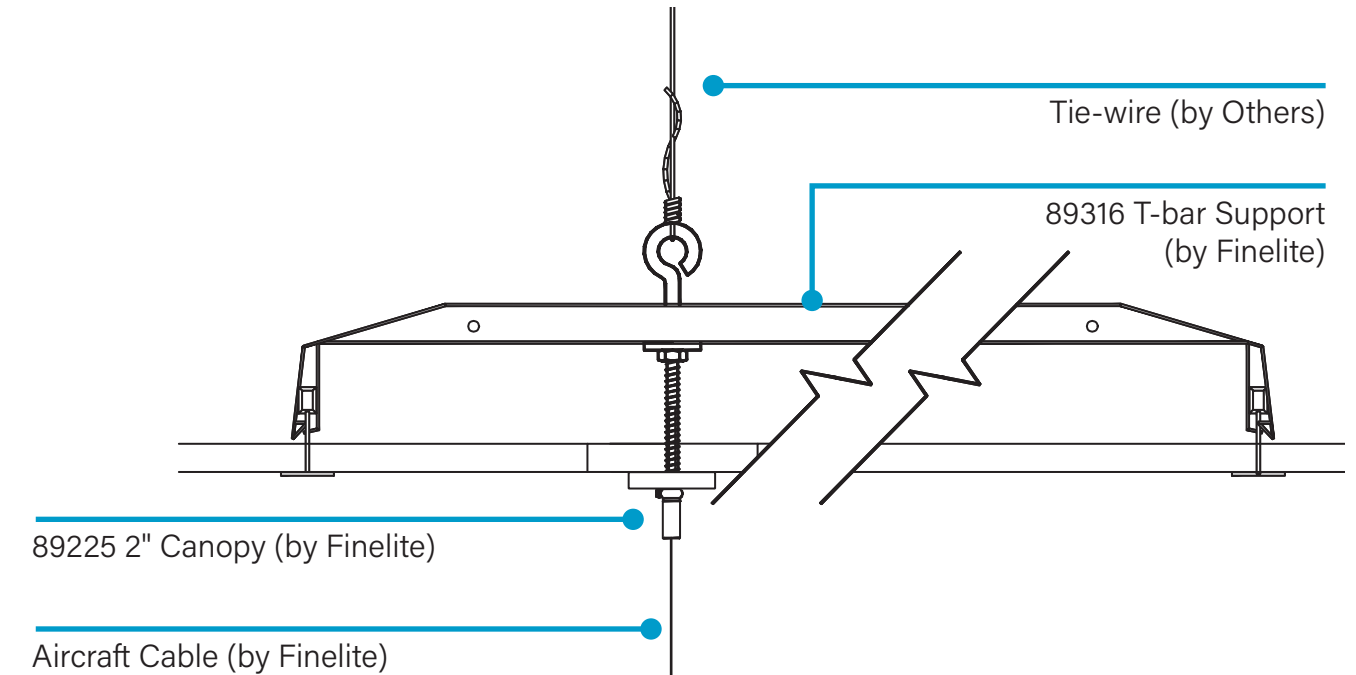
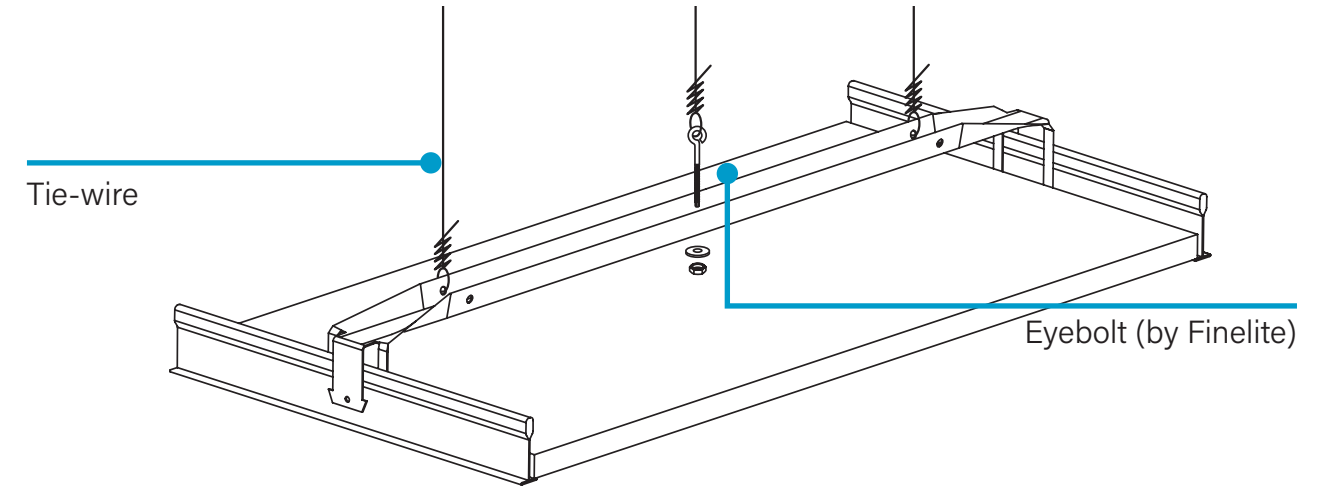
J-box Hardware
89111



For off-grid mounting, utilize the Caddy 512 bar along with our C4-Jbox hardware. This combination allows the Caddy 512 to span two parallel T-bars, each 2 feet apart, and provides a suspension point in the middle of the ceiling tile. The power connection requires a J-box attached to the Caddy 512 bar, and our 5-inch canopy will be provided for the feed location.

Non-Power Connection & Support

Caddy 512 HD Between T-bar Supports
89316



Non-power supports will be equipped with a 1/4 x 20 Eyebolt and a 2-inch canopy. All supports must be securely fastened to the structure using Tie-wire (supplied by others) in accordance with code regulations.