

Knuckle Addendum For HPX & HPO Installation Instructions

Overview

NOTES

- All power connections should be installed according to local/national codes by a Certified Electrician.
- This installation requires **proper support** as each luminaire is being installed.
- **DO NOT attempt to join luminaires together on the floor.** Damage may result when lifted.



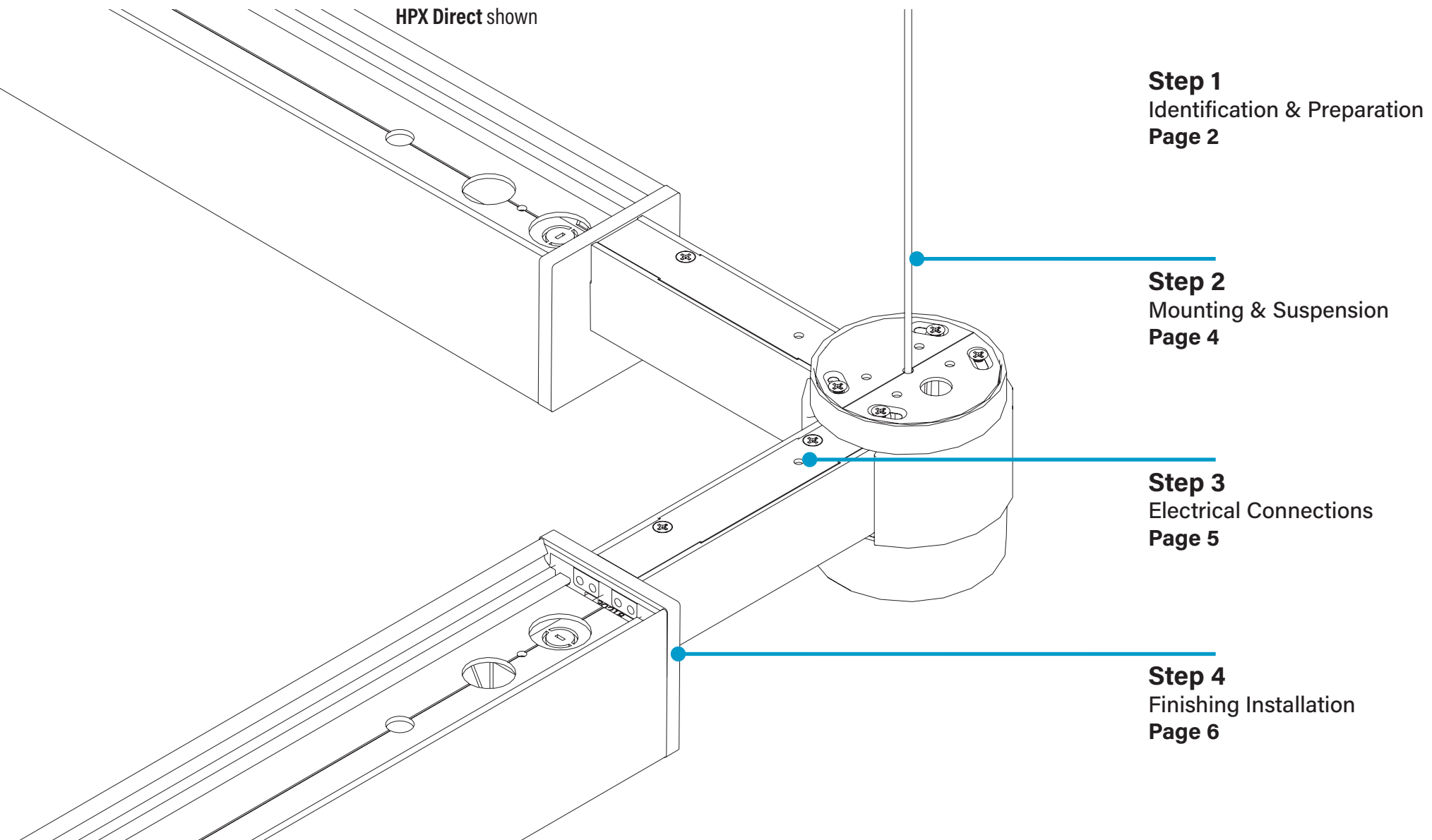
HELPFUL
VIDEOS



0-10V
Dimming



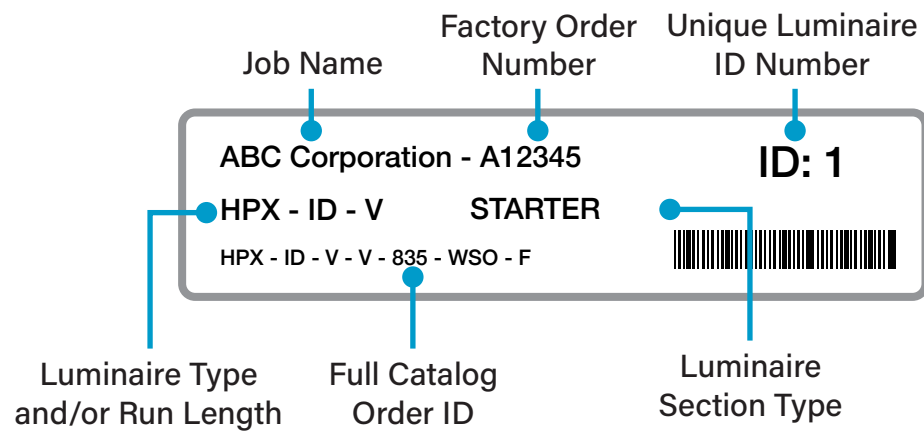
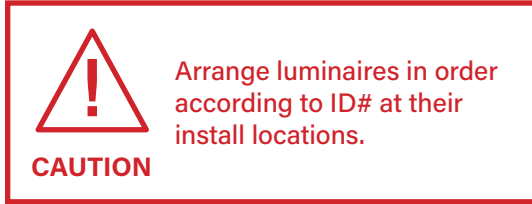
Knuckle
Installation



Knuckle Addendum For HPX & HPO Installation Instructions

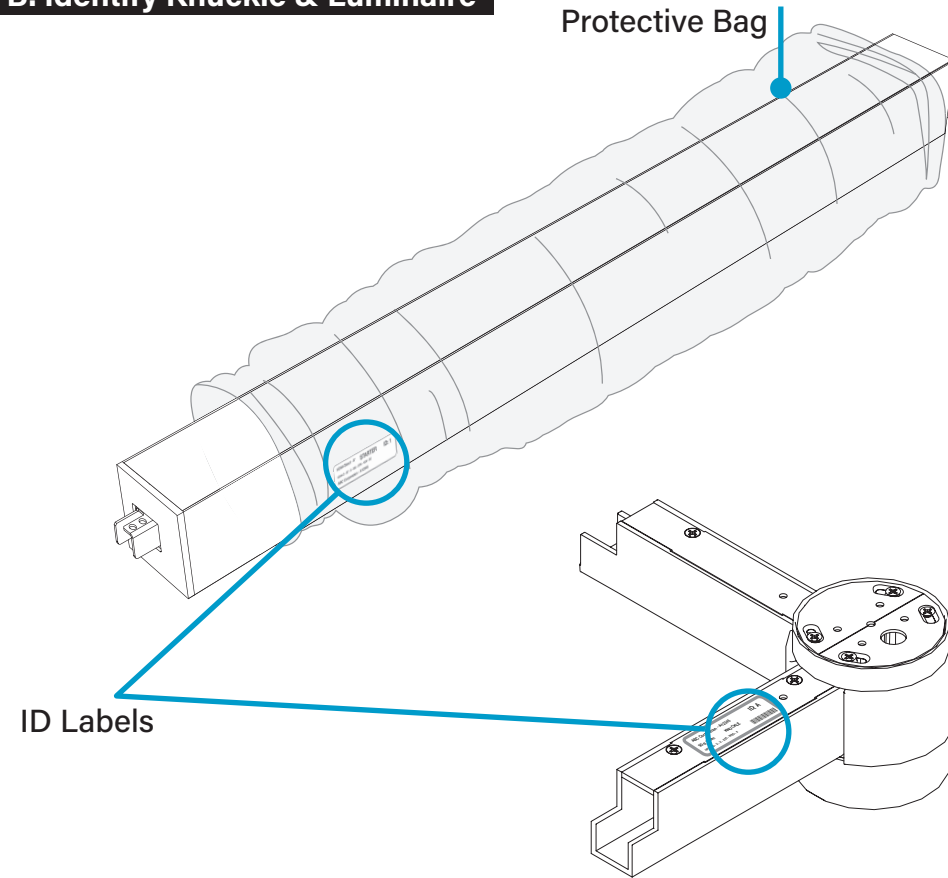
Step 1 - Identification & Preparation

A. Identify Luminaires



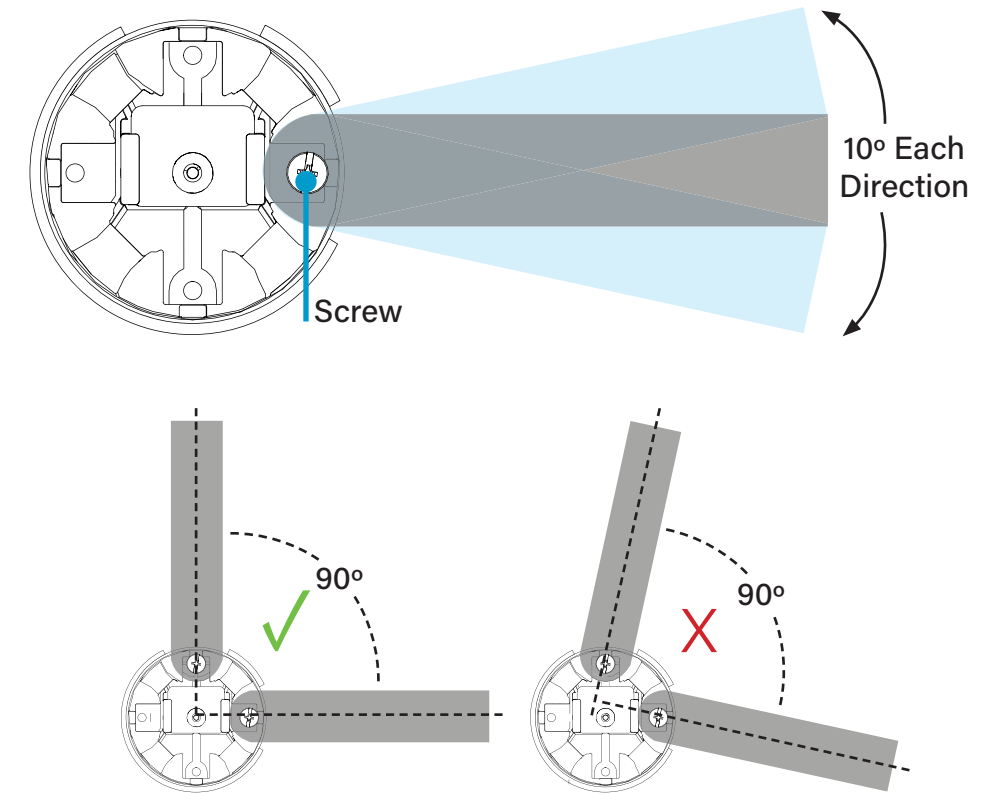
- Identify all luminaires and Knuckle by their ID label that can be found on the box and inside the luminaire.
- NOTE:** Exact location of labels in these areas may vary.
- Remove all luminaires from their box.
- Refer to Record Drawings that can be found in the hardware kit.

B. Identify Knuckle & Luminaire



- Ensure Knuckle identified back to their corresponding luminaire.
- Slide back ends of protective bag; If joining luminaires traditionally, bag removal is necessary

C. 10 Degree adjustments



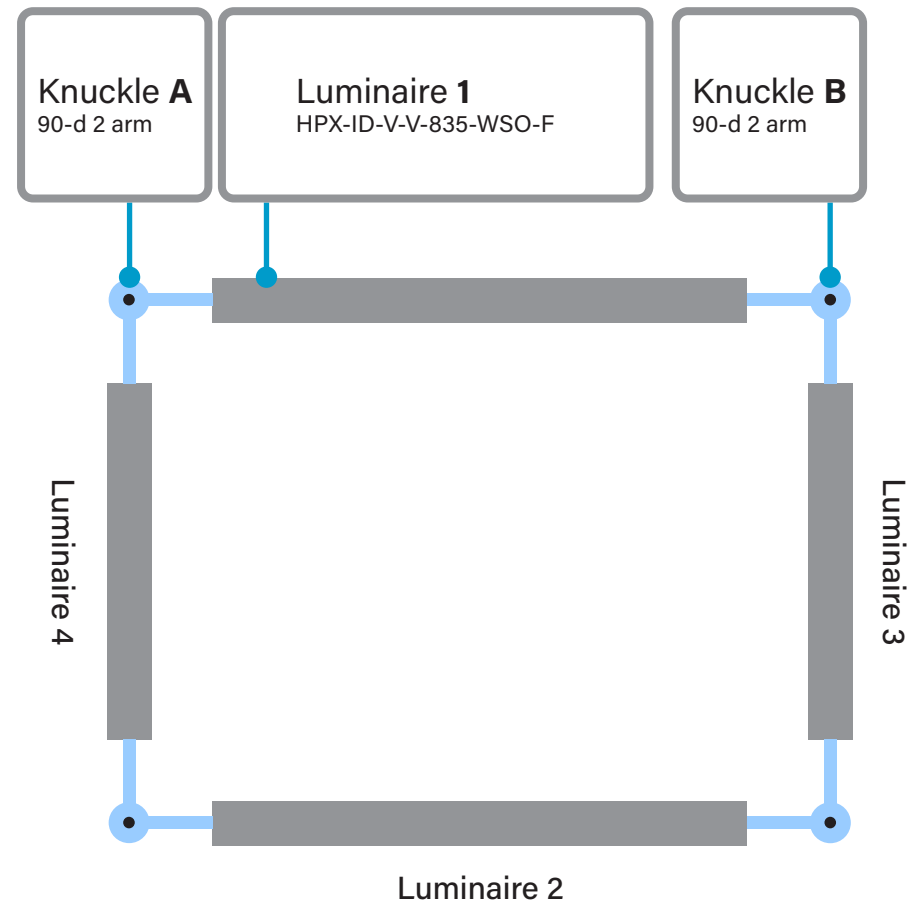
- Knuckles in standard configurations come pre-positioned to required angle
- Arms on Knuckle can be articulated 10 degrees in each direction for site adjustments and custom configurations.
- If a standard knuckle gets miss-aligned, reposition such that the center line of the arm is in alignment with the center point and gripper in the Knuckle.

Knuckle Addendum For HPX & HPO Installation Instructions

Step 1 - Identification & Preparation

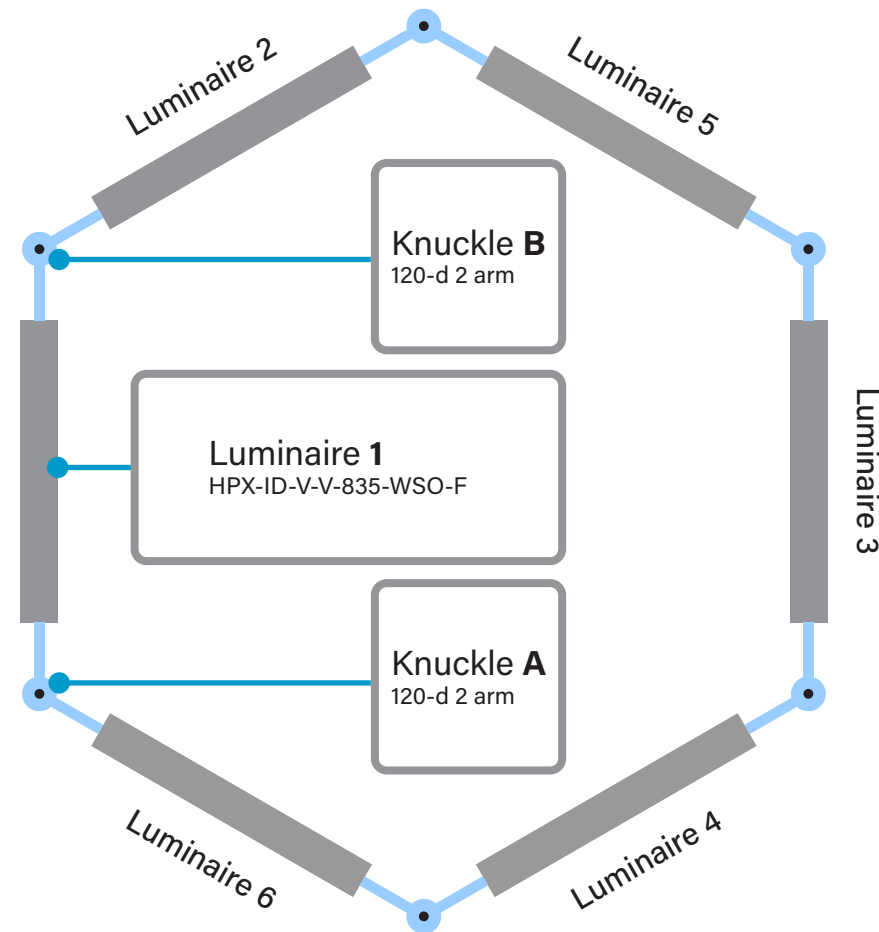
Configurations: T, Cross, Plus, and Y feed through luminaire. For custom configurations consult factory.

Square or Rectangle Configuration Install Order



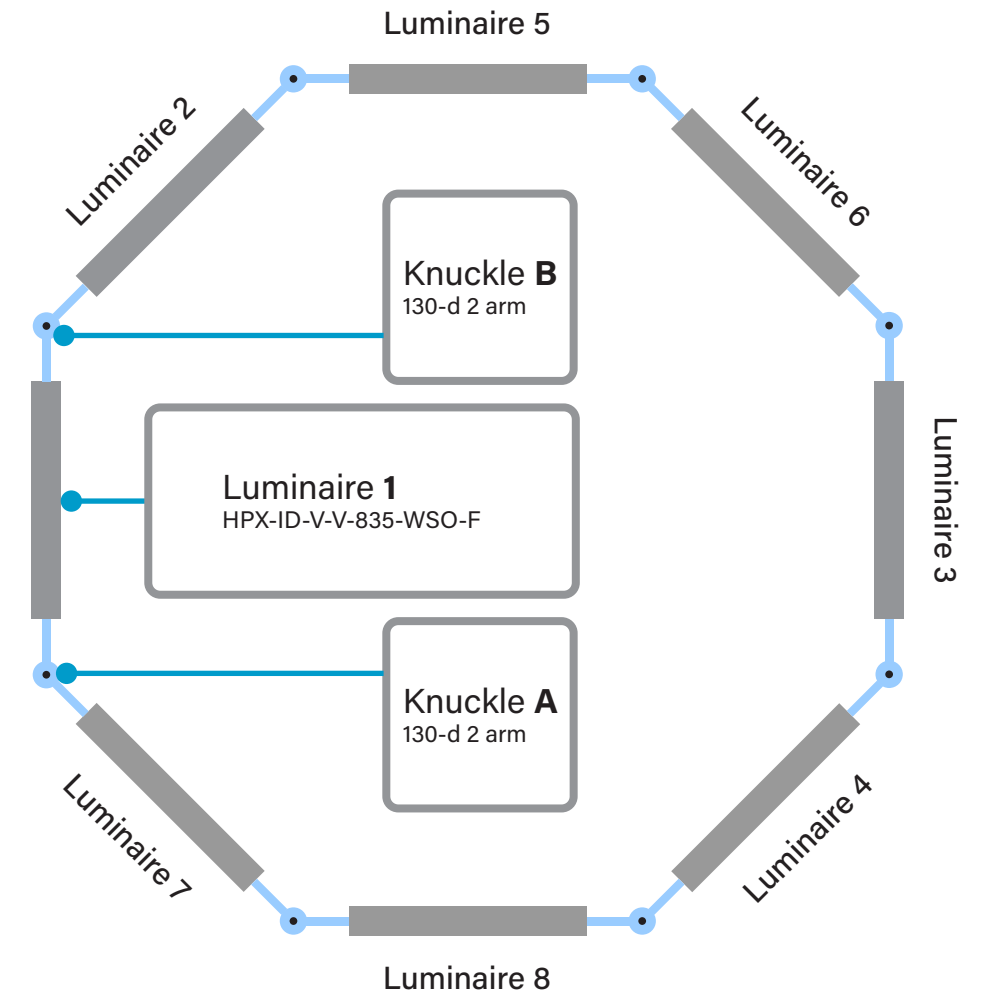
- For configurations, hang Knuckles first.
- Install Square or Rectangle configuration luminaire according to diagram: install luminaire 1, install luminaire 2, install luminaire 3, etc.
- **NOTE:** Do not attempt to join luminaires together on the floor. Damage may result when lifted.

Hexagon Configuration Install Order



- For configurations, hang Knuckles first.
- Install Hexagon configuration luminaire according to diagram: install luminaire 1, install luminaire 2, install luminaire 3, etc.
- **NOTE:** Do not attempt to join luminaires together on the floor. Damage may result when lifted.

Octagon Configuration Install Order

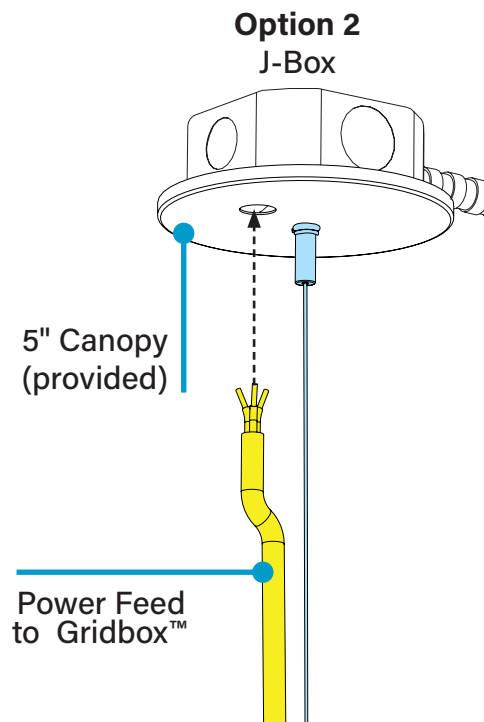
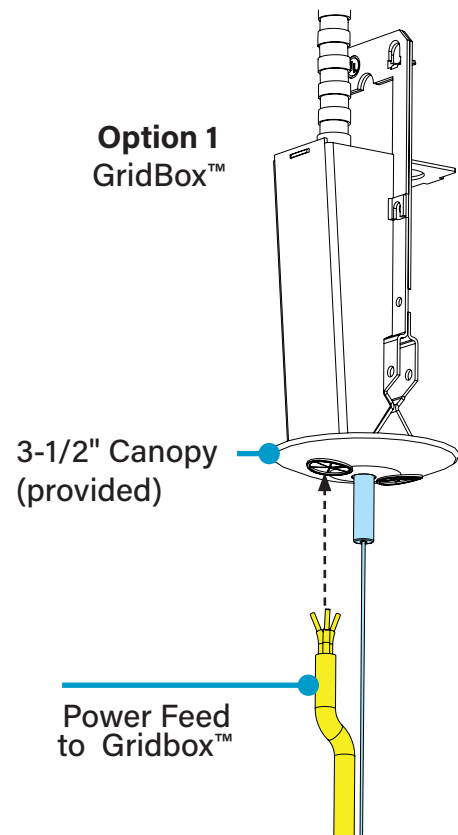
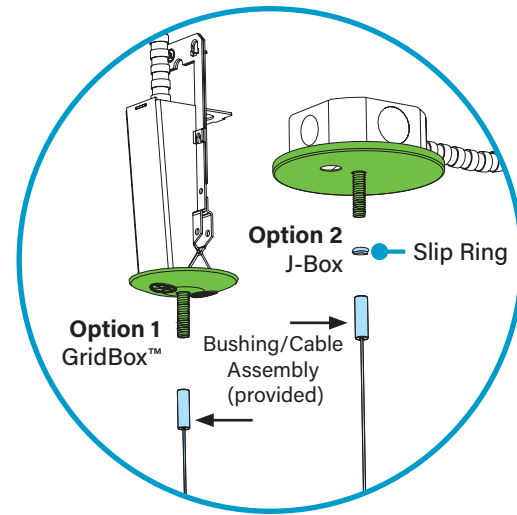


- For configurations, hang Knuckles first.
- Install Octagon configuration luminaire according to diagram: install luminaire 1, install luminaire 2, install luminaire 3, etc.
- **NOTE:** Do not attempt to join luminaires together on the floor. Damage may result when lifted.

Knuckle Addendum For HPX & HPO Installation Instructions

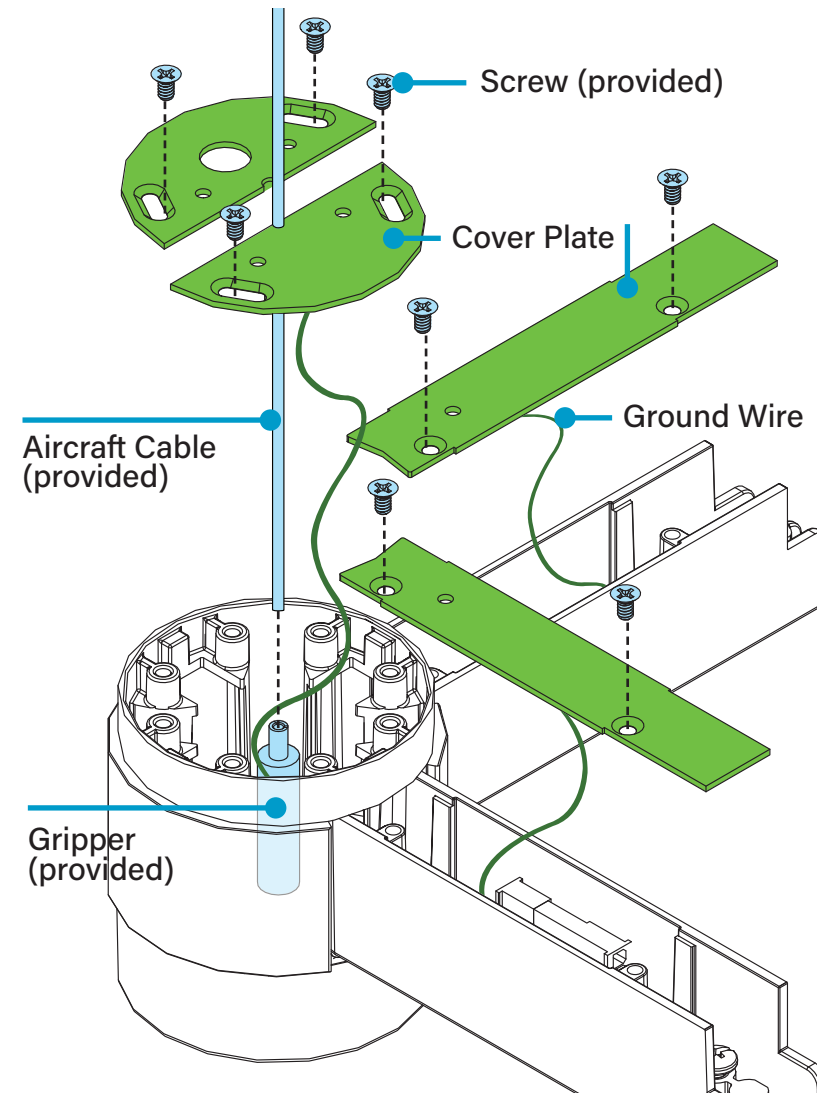
Step 2 - Mounting & Suspension

WIRING LEGEND		
Black	Hot	Line Voltage
White	Neutral	Line Voltage
Green	Ground	
Pink	Dimming	0-10V DC
Purple	Dimming	0-10V DC



- (Option 1) Feed power cord through 3-1/2" canopy and connect wires inside GridBox™.
- (Option 2) Feed power cord through 5" canopy and connect wires inside J-Box.

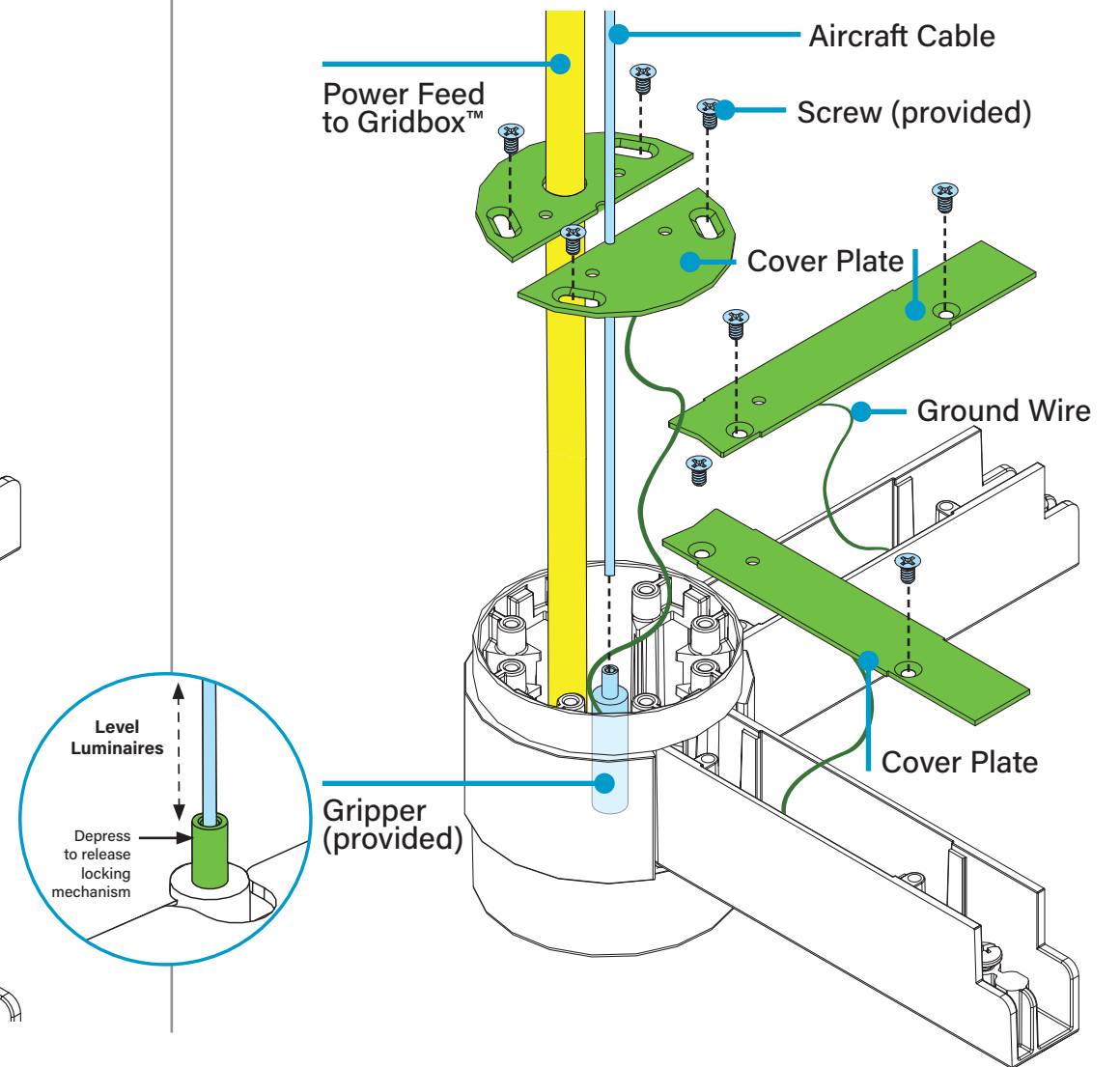
Non-Power Feed Install Top-Angle View



- Remove screws to remove cover plates from center Knuckle
- Feed the aircraft cable through the barrel bushing and then through the pre-installed Gripper
- Hang all Knuckles securely to ceiling before installing luminaires
- Level luminaires and Knuckle to desired height by depressing top of gripper to adjust cable length

Power Feed Install Bottom-Up View

Power Feed Knuckle (Only)

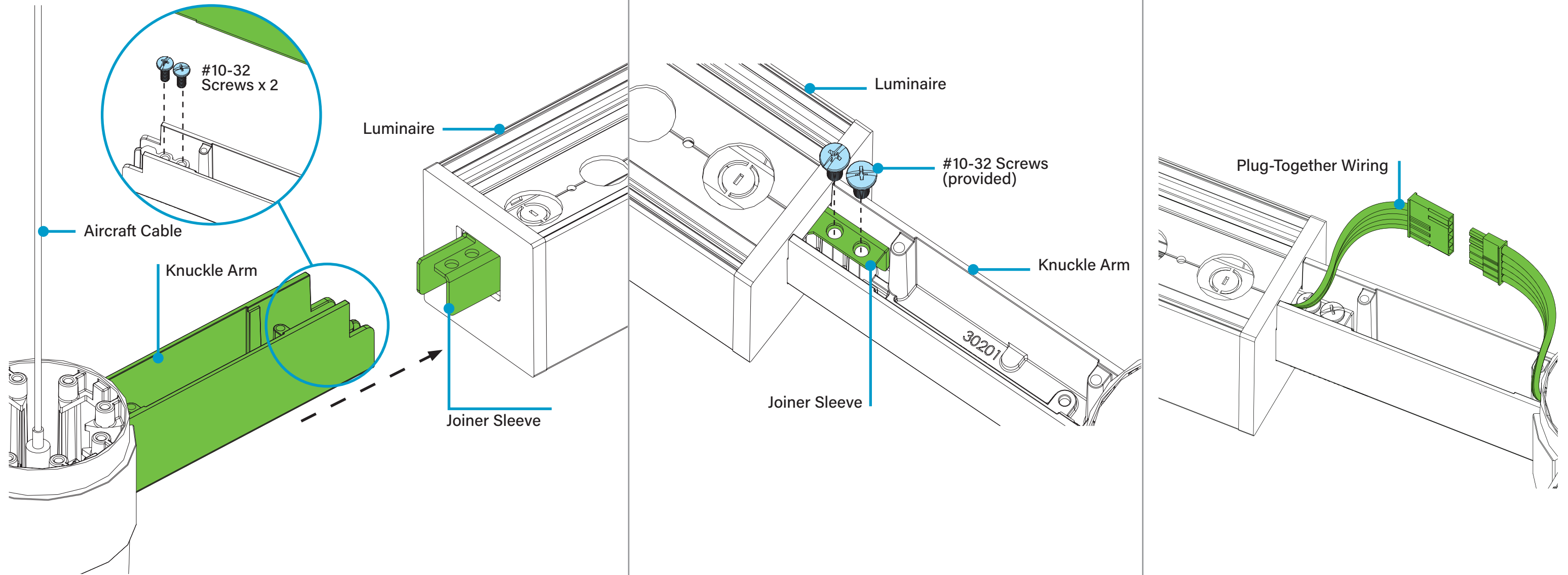


Knuckle Installation

Knuckle Addendum For HPX & HPO Installation Instructions

Step 3 - Connect to Luminaire

Connect Knuckle to Luminaire Top-Angle View



- Remove 2 #10-32 Screws from Knuckle arm
- Slide Knuckle arm on to joiner sleeve.

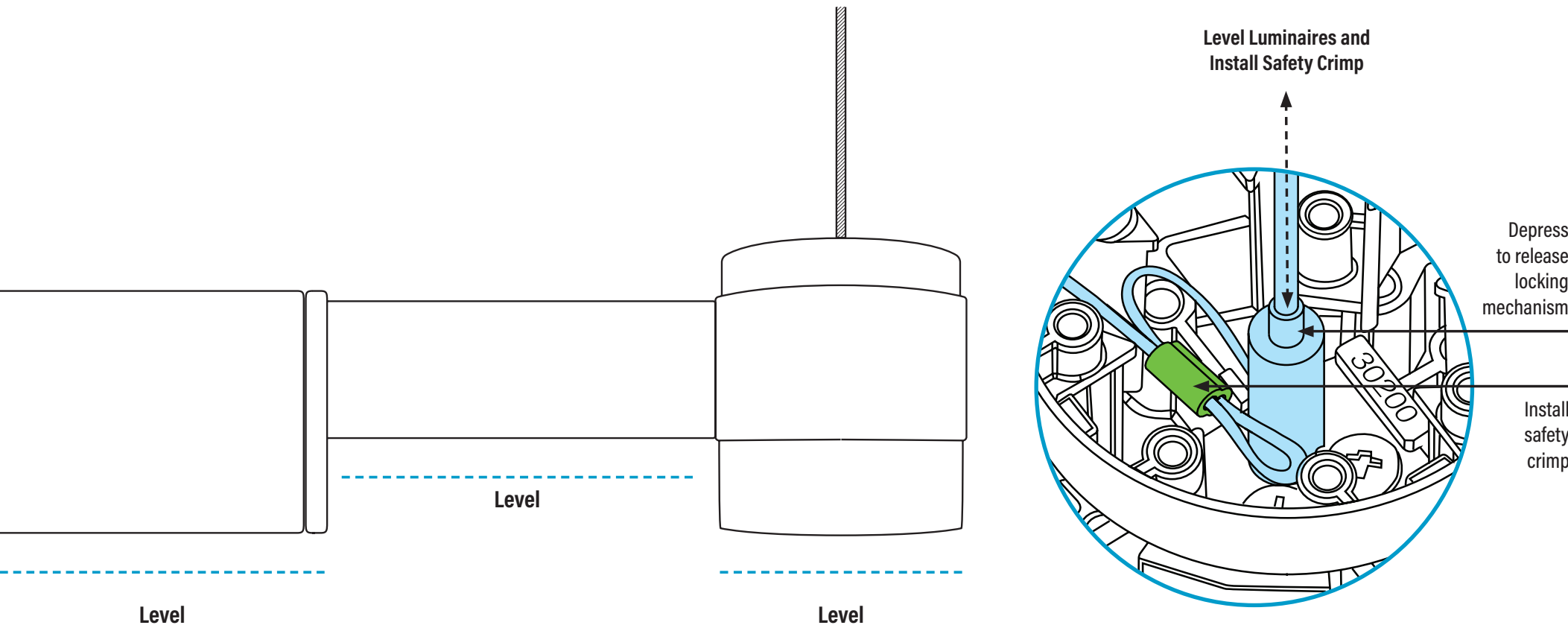
- Install 2 #10-32 screws to secure the Joiner Sleeve and Knuckle Arm

- Connect Plug-Together Wiring

Knuckle Addendum For HPX & HPO Installation Instructions

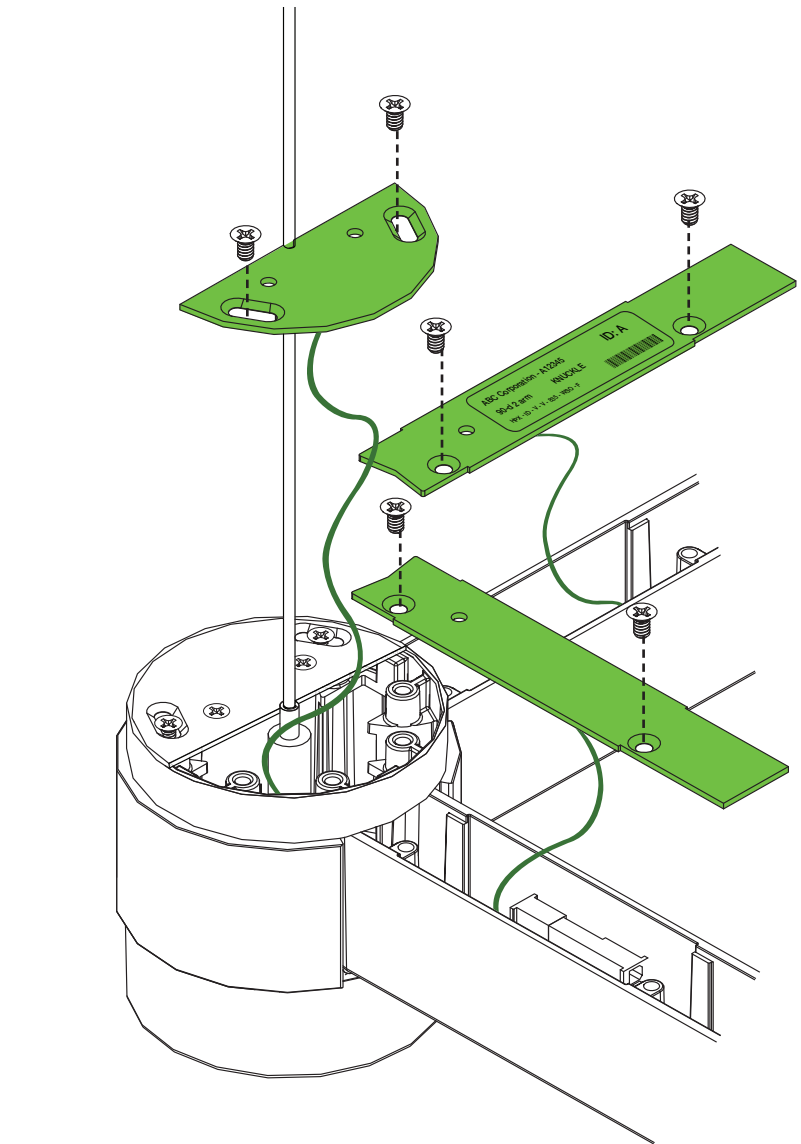
Step 4 - Finishing Installation

A. Level Luminaire Side-Angle View



- Make sure Knuckle, Arm, and Luminaires are level.
- Adjust Knuckle and luminaire height by depressing to release locking mechanism
- Install safety crimp by looping additional cable through safety crimp then back through safety crimp.
- Crimp, then cut excess cable.
- Tuck safety loop inside Knuckle

B. Replace Covers Top-Angle View



- Replace all Cover Plate and turn power on to luminaire