

E3 Arm Mount Installation Instructions

Overview

NOTES

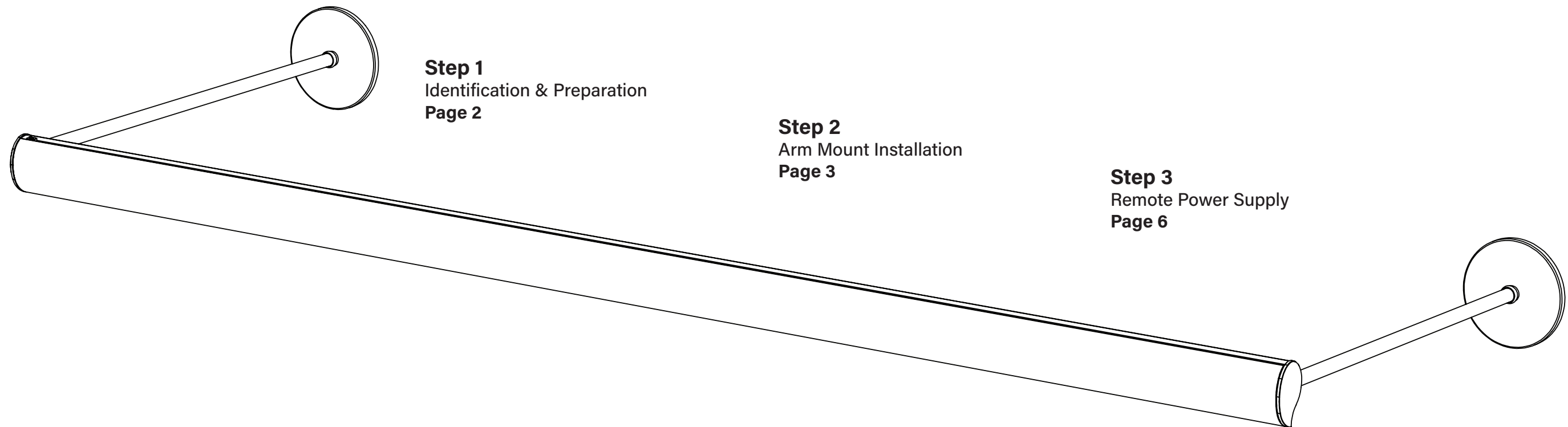
- All power connections should be installed according to local/national codes by a Certified Electrician.
- This installation requires **proper support** as each luminaire is being installed.



HELPFUL
VIDEOS



0-10V
Dimming



E3 Arm Mount Installation Instructions

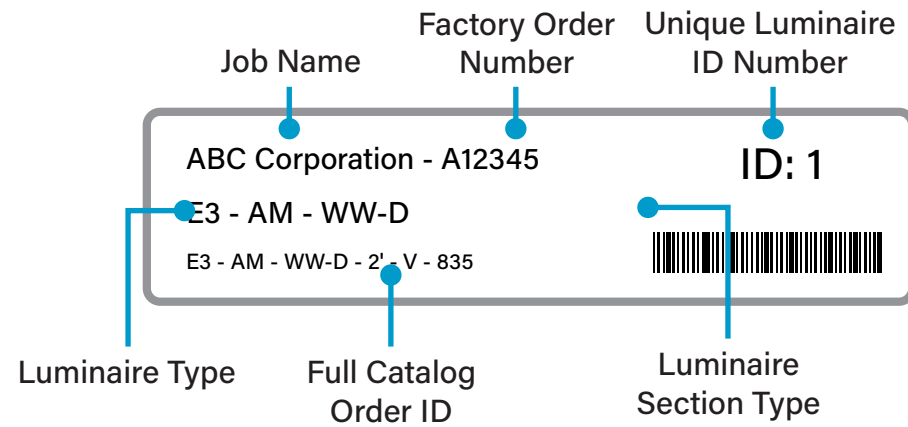
Step 1 - Identification & Preparation

A. Identify Luminaires



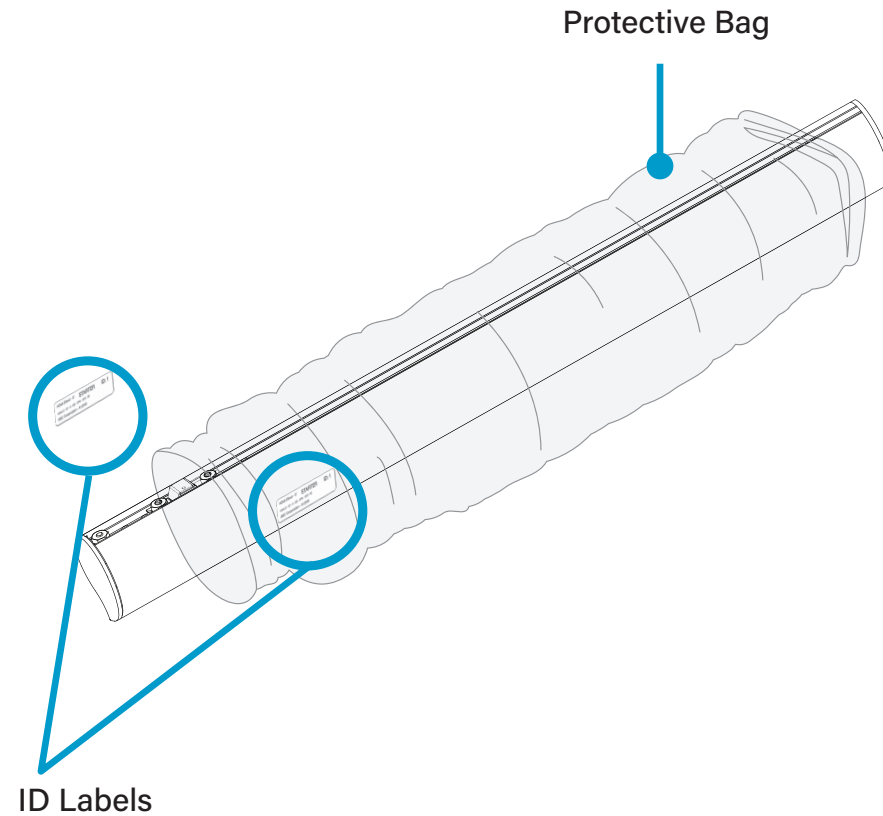
Arrange luminaires in order according to ID# at their install locations.

CAUTION



- Identify all luminaires by their ID label that can be found on the box and inside the luminaire.
- NOTE: Exact location of labels in these areas may vary.
- Remove all luminaires from their box.
- Refer to Record Drawings that can be found in the hardware kit.

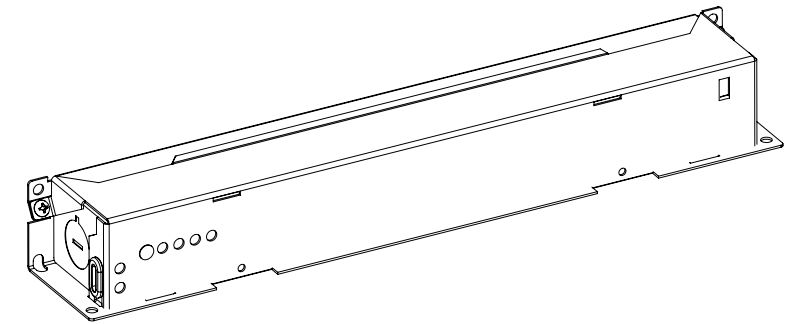
B. Identify Luminaire



- Remove Bag

C. Identify Power Supply Location

NOTE: All power in junction box should be turned off during installation

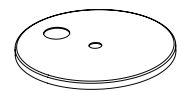


Remote Power Supply Location	Option
Above Ceiling	Option 1 / Option 2
Other Accessible Area	Option 3

- Identify power supply location.
- Power supply should be installed in an accessible area. For T-bar mounting, install above ceiling panels and below insulation for best lifetime performance. For hard ceiling / drywall mounting install in nearby service closet.

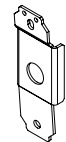
Kitted Hardware

- Finelite has provided items listed here, with their Finelite part numbers. These items can be found in separate boxes shipped with the luminaire.
- Account for all parts and set aside until they are needed.
- All other hardware needed for this installation will be by others.



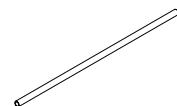
4" Canopy with Slip Ring

Part# 89431
Luminaire Installation
p. 3-5, Step 2



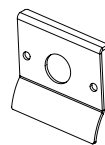
Wall Stem Bracket

Part# 68212
Luminaire Installation
p. 3-5, Step 2



Threaded Arm

12" - Part# 68181-13
18" - Part# 68180
Luminaire Installation
p. 3-5, Step 2



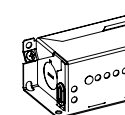
Housing Bracket

Part# 68271
Luminaire Installation
p. 3-4, Step 2



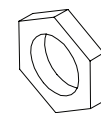
#6-32x3/16" screw

Part# 94144
Luminaire Installation
p. 3-5, Step 2
Remote Power Supply
p. 6-8, Step 3



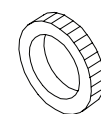
P06 Power Supply Box

Part# 68129
Remote Power Supply
p. 6-8, Step 4



Stem Locknut

Part# 94093
Arm Mount Installation
p. 3, Step 2



Knurled Nut

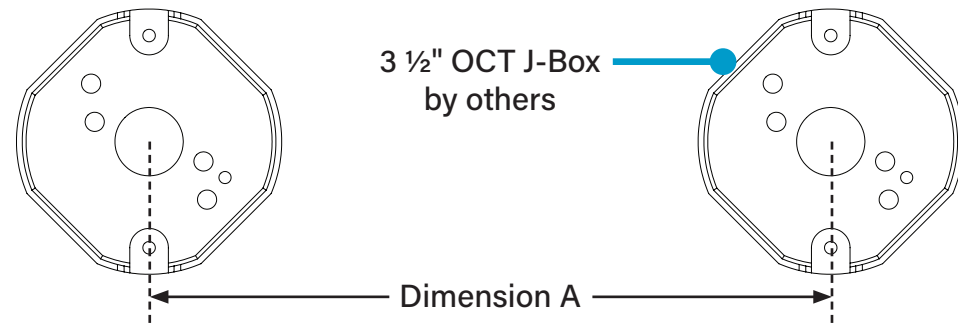
Part# 94278
Arm Mount Installation
p. 3, Step 2

E3 Arm Mount Installation Instructions

Step 2 - Arm Mount Installation

A. Find Mounting Locations

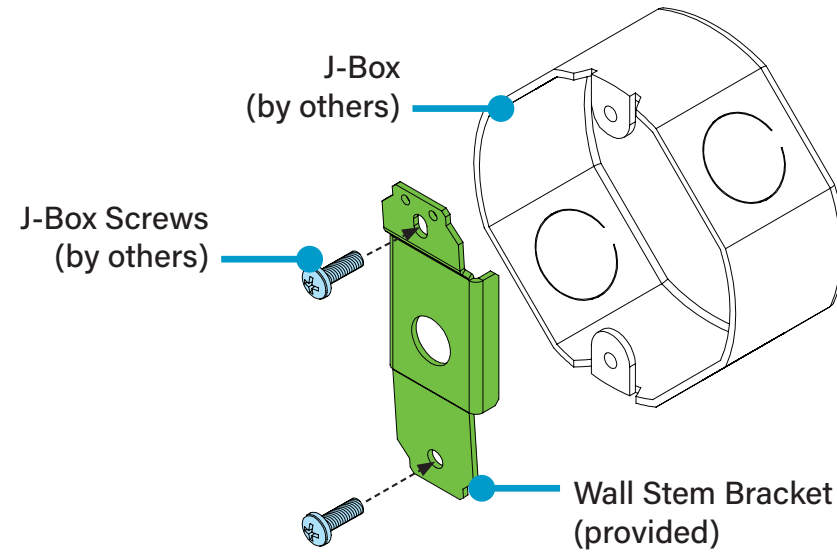
NOTE: All power in junction box should be turned off during installation



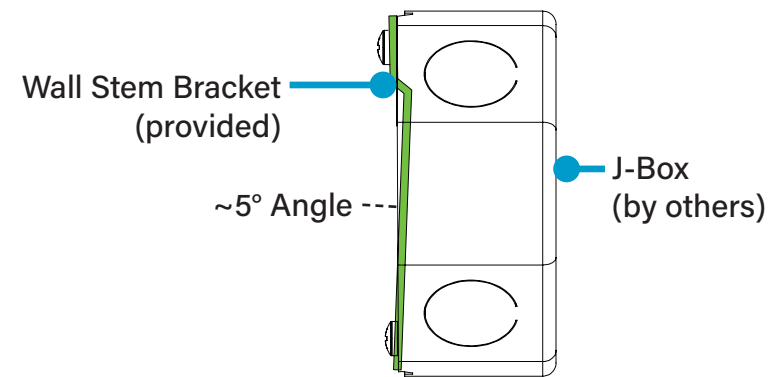
MOUNTING SPACING BY LUMINAIRE LENGTH	
LUMINAIRE LENGTH	DIMENSION "A"
2-ft	30 3/4"
4-ft	54 3/4"
6-ft	82"
8-ft	106"

- Determine mounting location and install Junction boxes to structure.
- Secure bracket to J-Box with 2x #6-32x3/16" screws.
- Ensure J-boxes are square and level with structure.

B. Attach J-Box Bracket

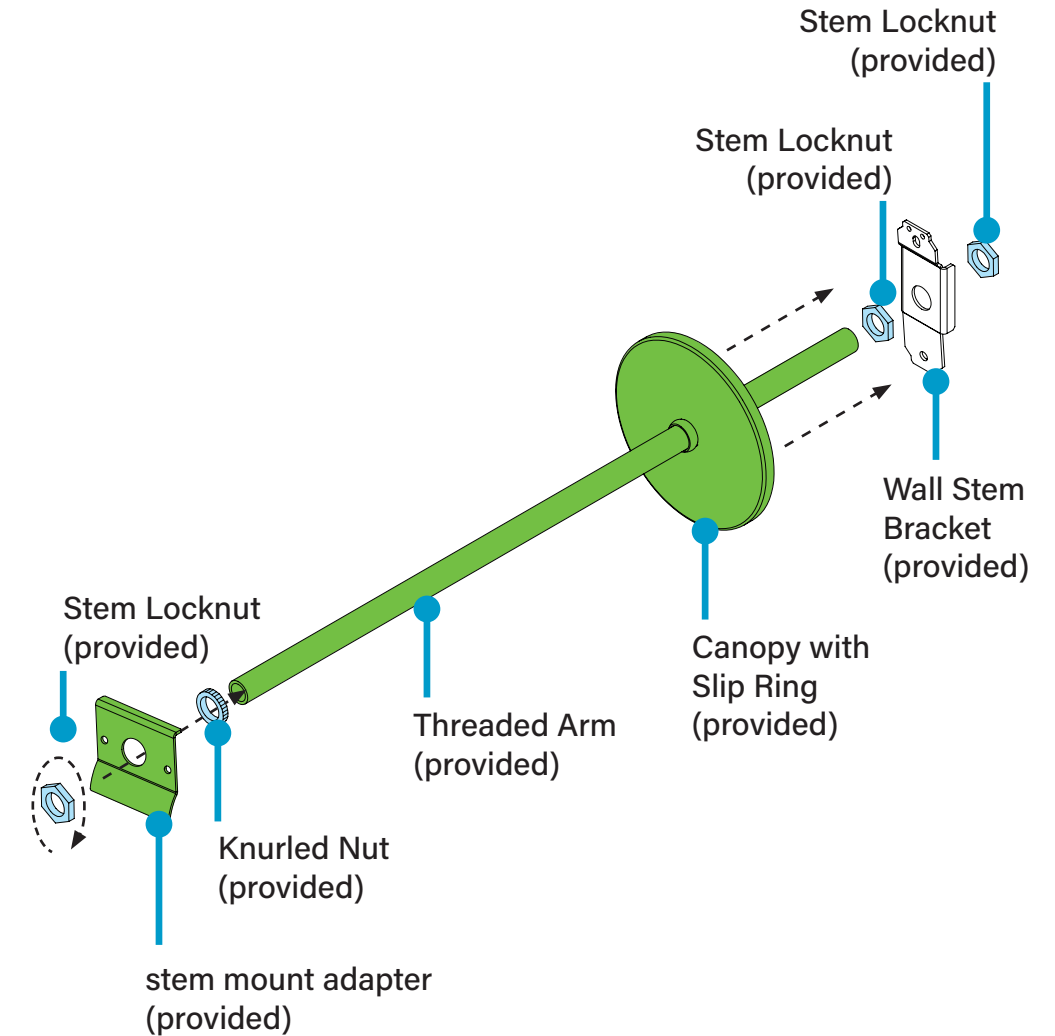


Side view



- Use J-box screws to attach wall stem bracket to J-box. Bracket will rest at a slight angle.

C. Assemble Arm Mounts



- Attach threaded arm mount to bracket with nuts.
- Slide 4" canopy to wall and secure with attached slip ring.
- Secure stem mount adapter to arm mount with round knurled nut and nut.

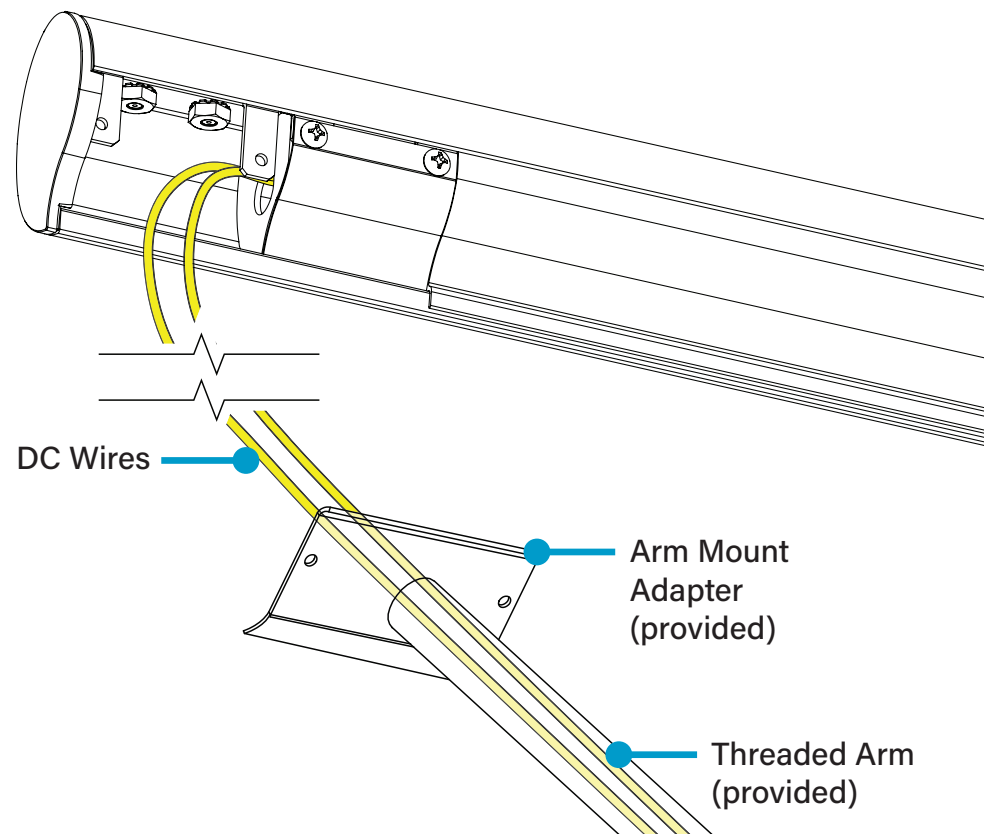


E3 Arm Mount Installation Instructions

Step 2 - Arm Mount Installation

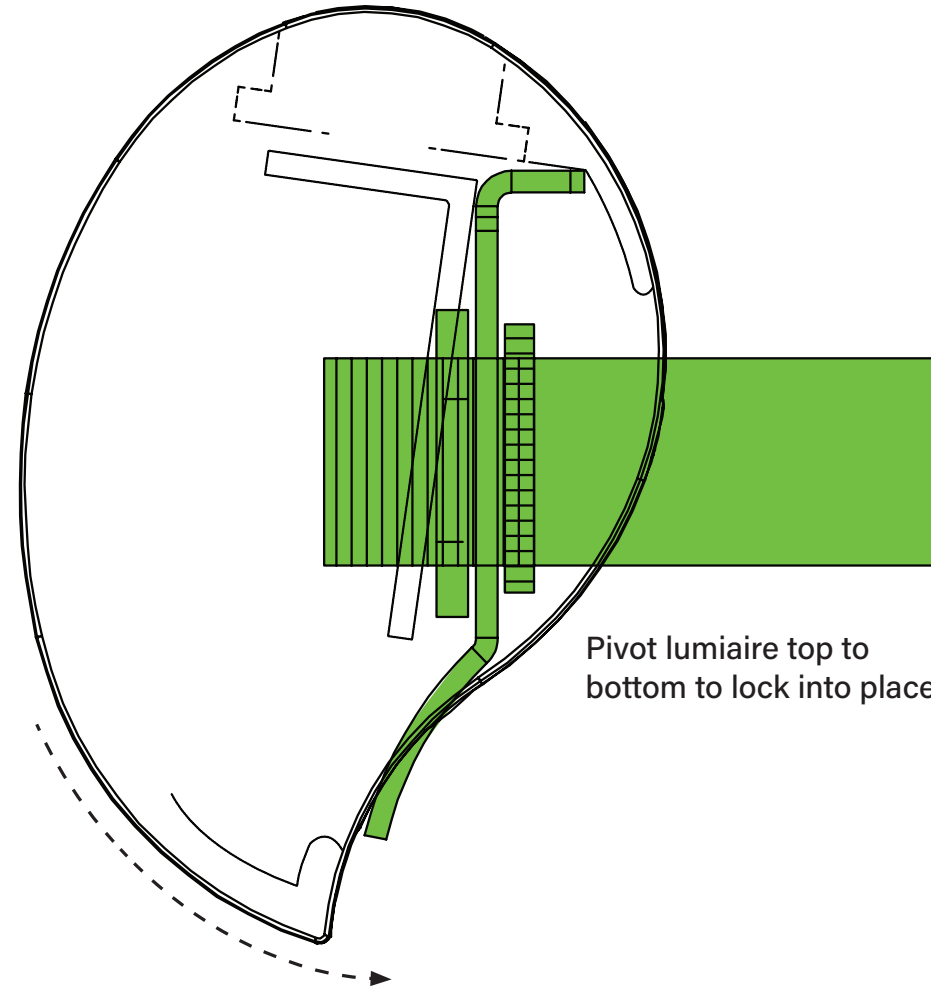
D. Insert Wires

WIRING LEGEND		
Red	Positive (+)	DC Voltage
Black	Negative (-)	DC Voltage



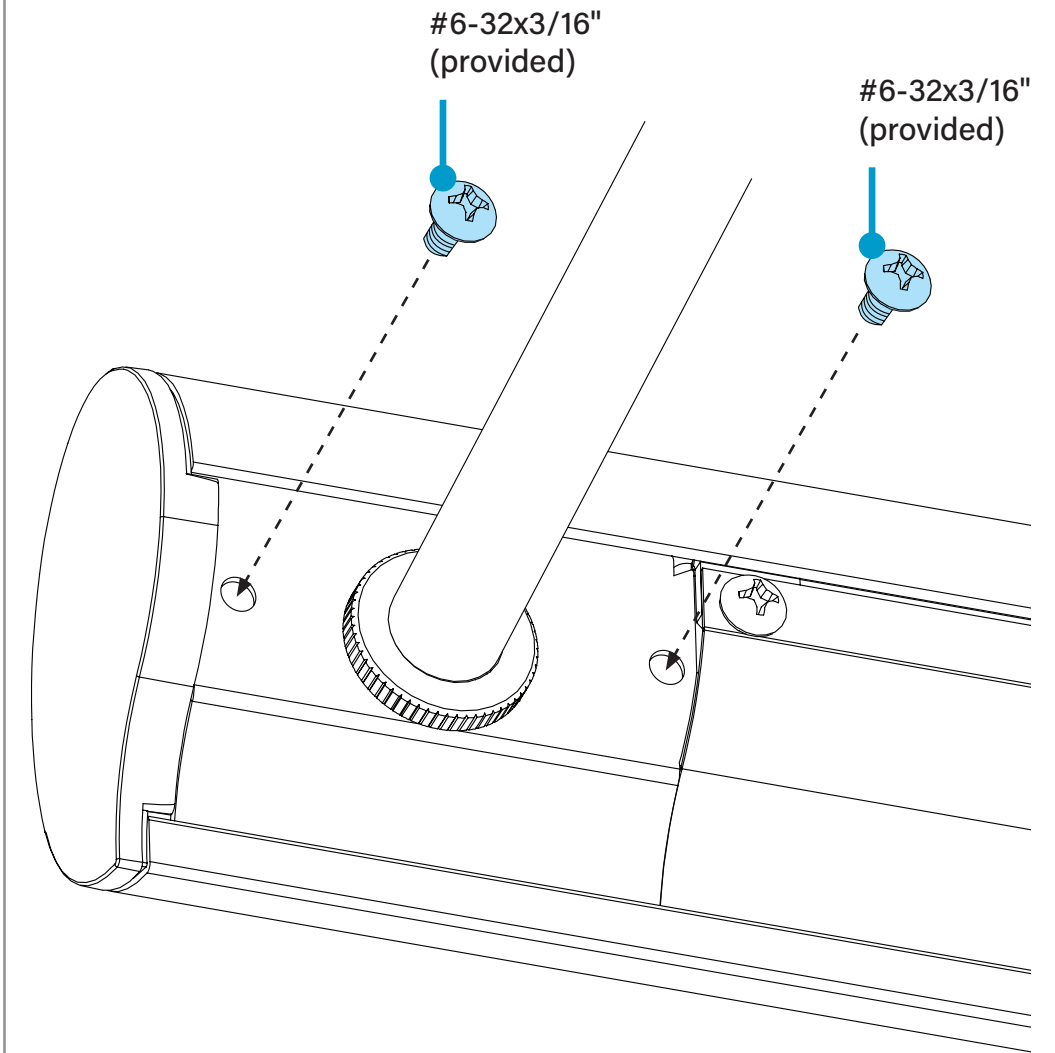
- Insert power wires into stem and feed into J-Box.

E. Connect Luminaire




- Pivot fixture onto stem adapter.

F. Secure Screw to Adapter



- Secure 2x #6-32 x 3/16" locking Screws using #2 Philips Screw Driver.

 #6-32x3/16" Screw (provided)

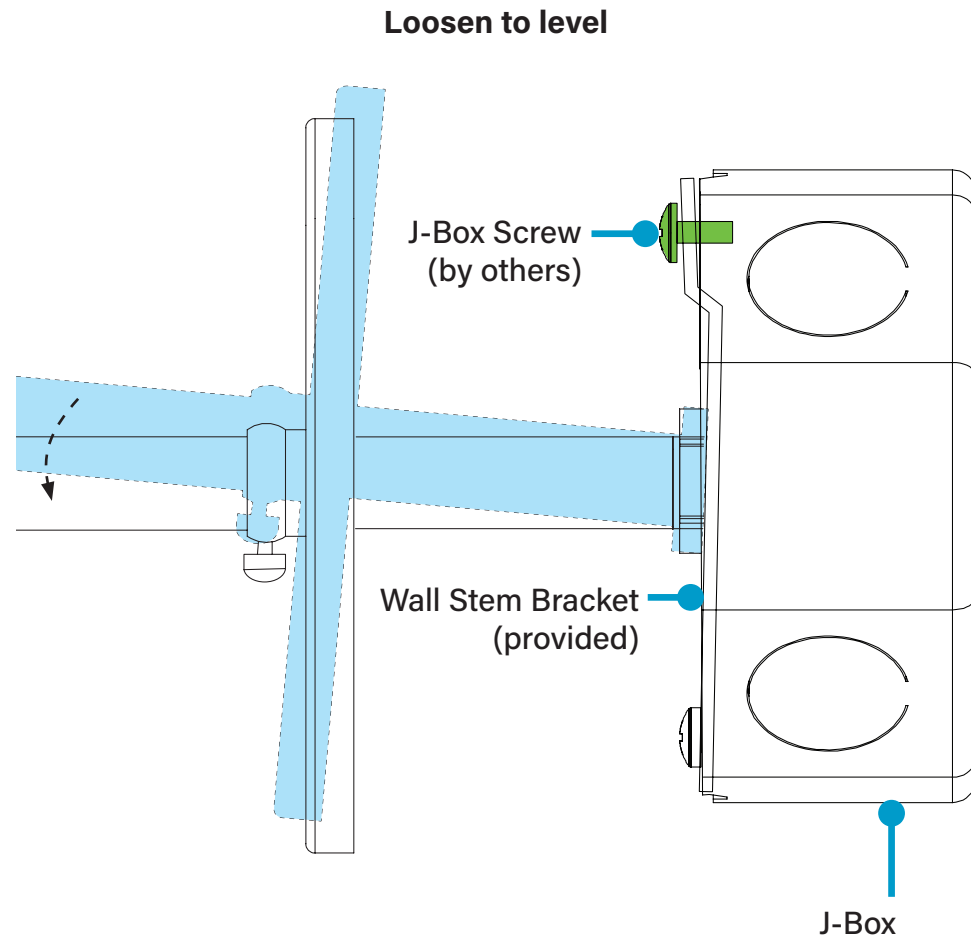


0-10V Dimming

E3 Arm Mount Installation Instructions

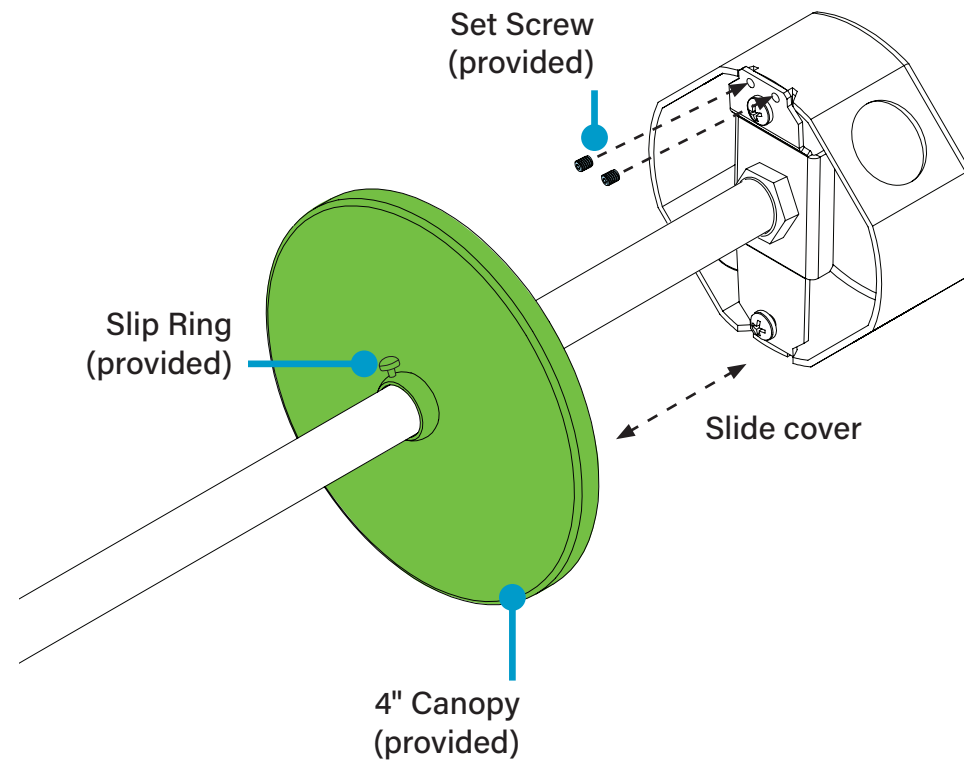
Step 2 - Arm Mount Installation

G. Pivot Arm



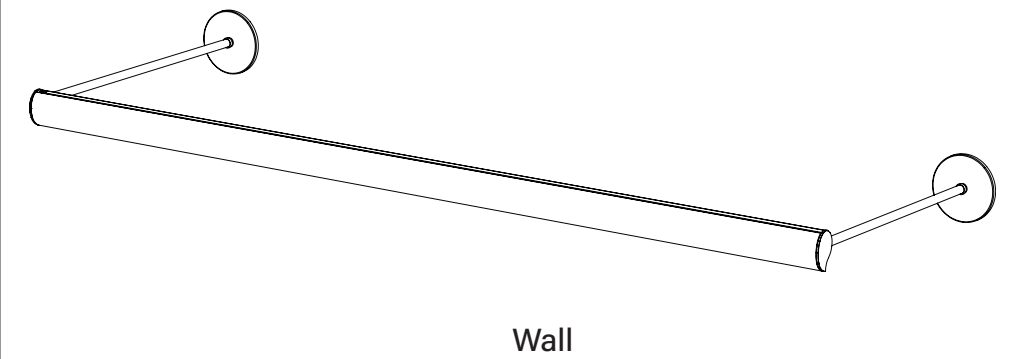
- Loosen top J-Box Screw to pivot arm until level.

H. Position Canopy



- Use a 1/16" hex key to lock lock wall stem bracket in place with set screws.
- Slide canopy to cover J-box and lock slip ring.

I. Check Position



- Check that luminaire is angled properly to illuminate wall.



E3 Arm Mount Installation Instructions

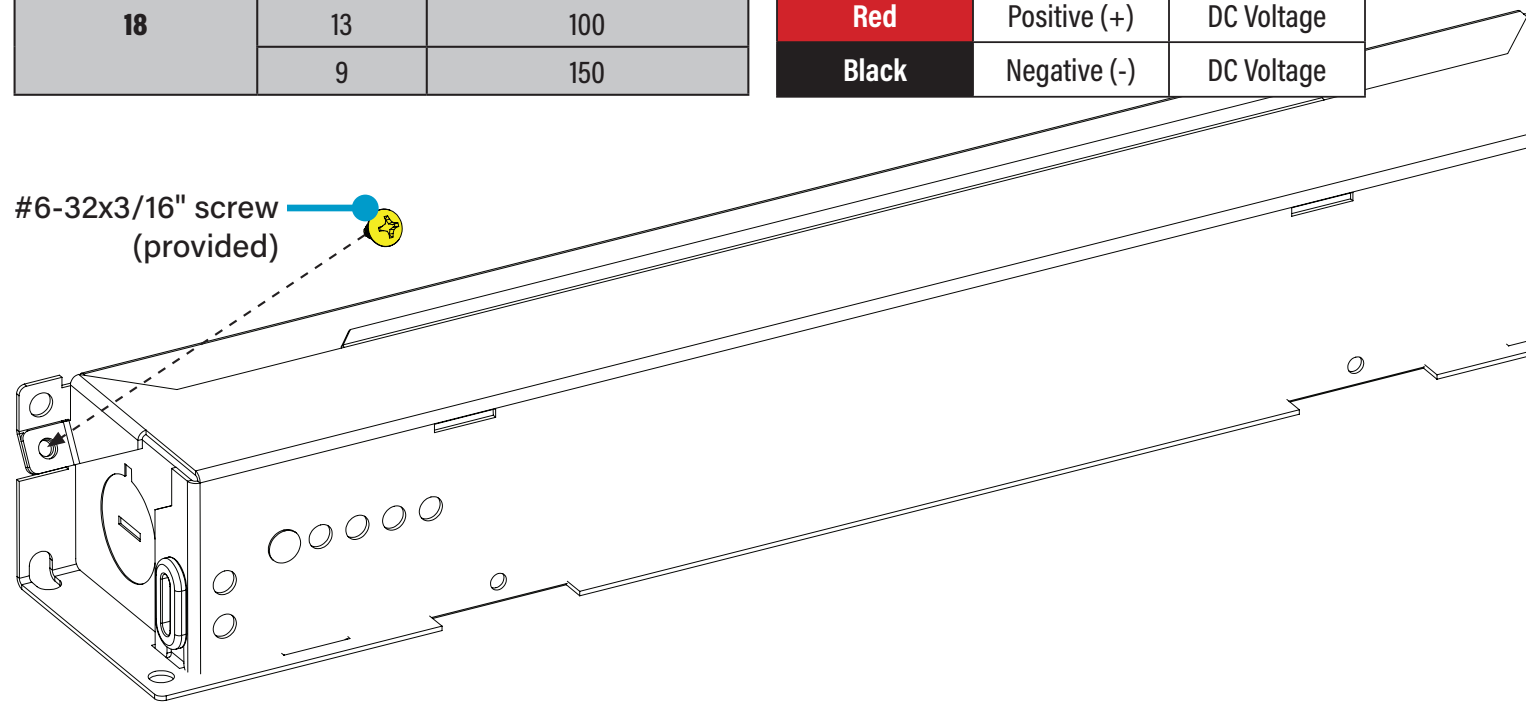
Step 3 - Remote Power Supply

A. Secure In Location

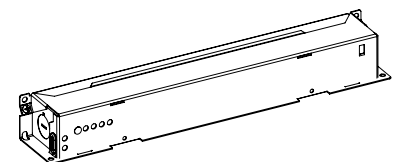
All Options

DC WIRE GAUGE SUGGESTION			WIRING LEGEND		
Wire Gauge (AWG)	Distance (ft.)	Pendant Feed Cable (in.)	AC WIRING		
12	85	50	Black	Hot	Line Voltage
	81	100	White	Neutral	Line Voltage
	77	150	Green	Ground	
14	52	50	Pink	Dimming	0-10V DC
	47	100	Purple	Dimming	0-10V DC
	43	150	DC WIRING		
18	17	50	Red	Positive (+)	DC Voltage
	13	100	Black	Negative (-)	DC Voltage
	9	150			

#6-32x3/16" screw (provided)



- Lift panel to access above T-bar ceiling **-OR-** Place power supply box in accessible area (by breaker panels in service closet)
- Secure two #6-32x3/16" screws to secure power supply.



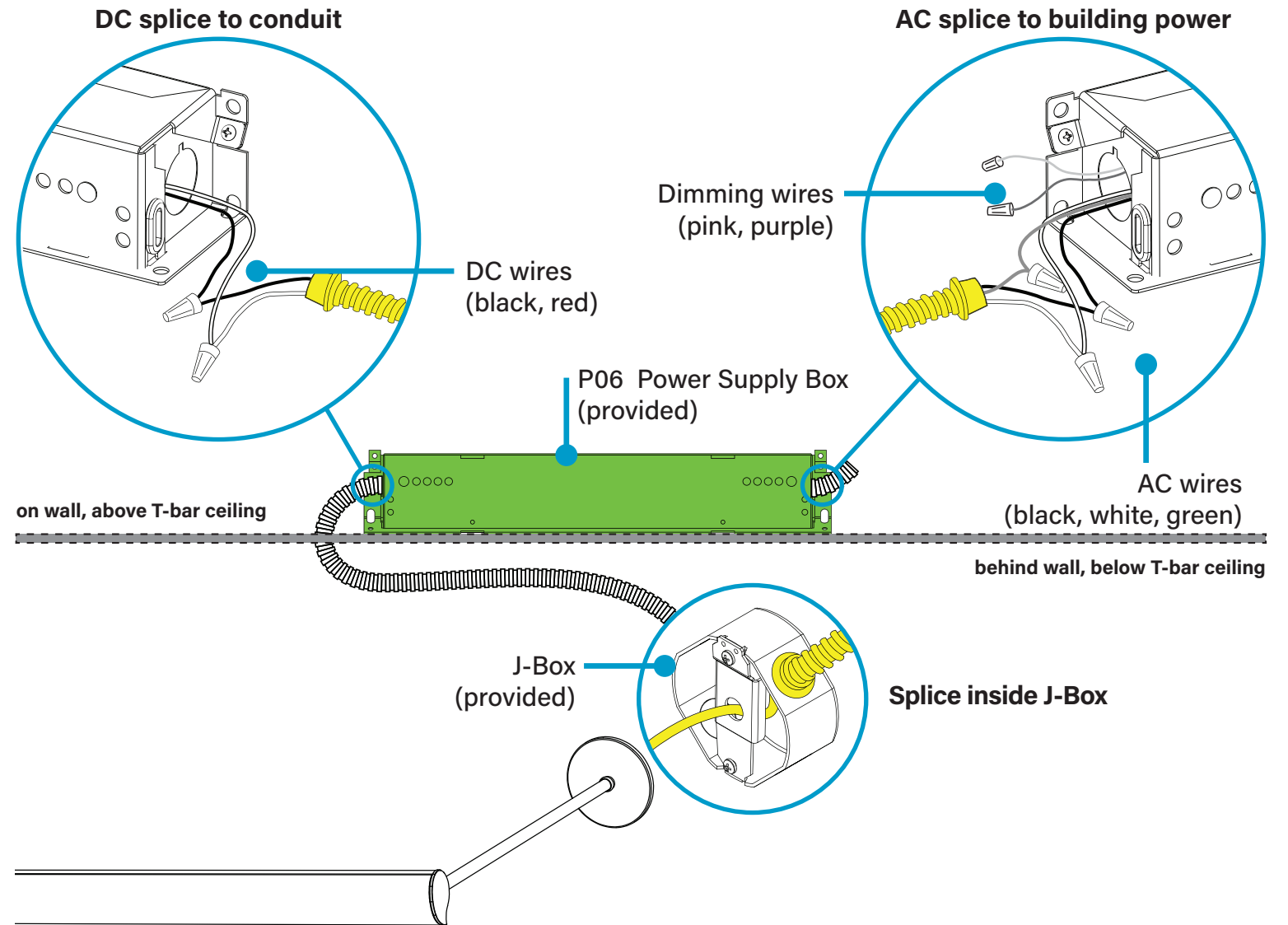
P06 Power Supply Box (provided)



#6-32x3/16" Screw (provided)

B. Make Electrical Connections

Option 1 On Wall



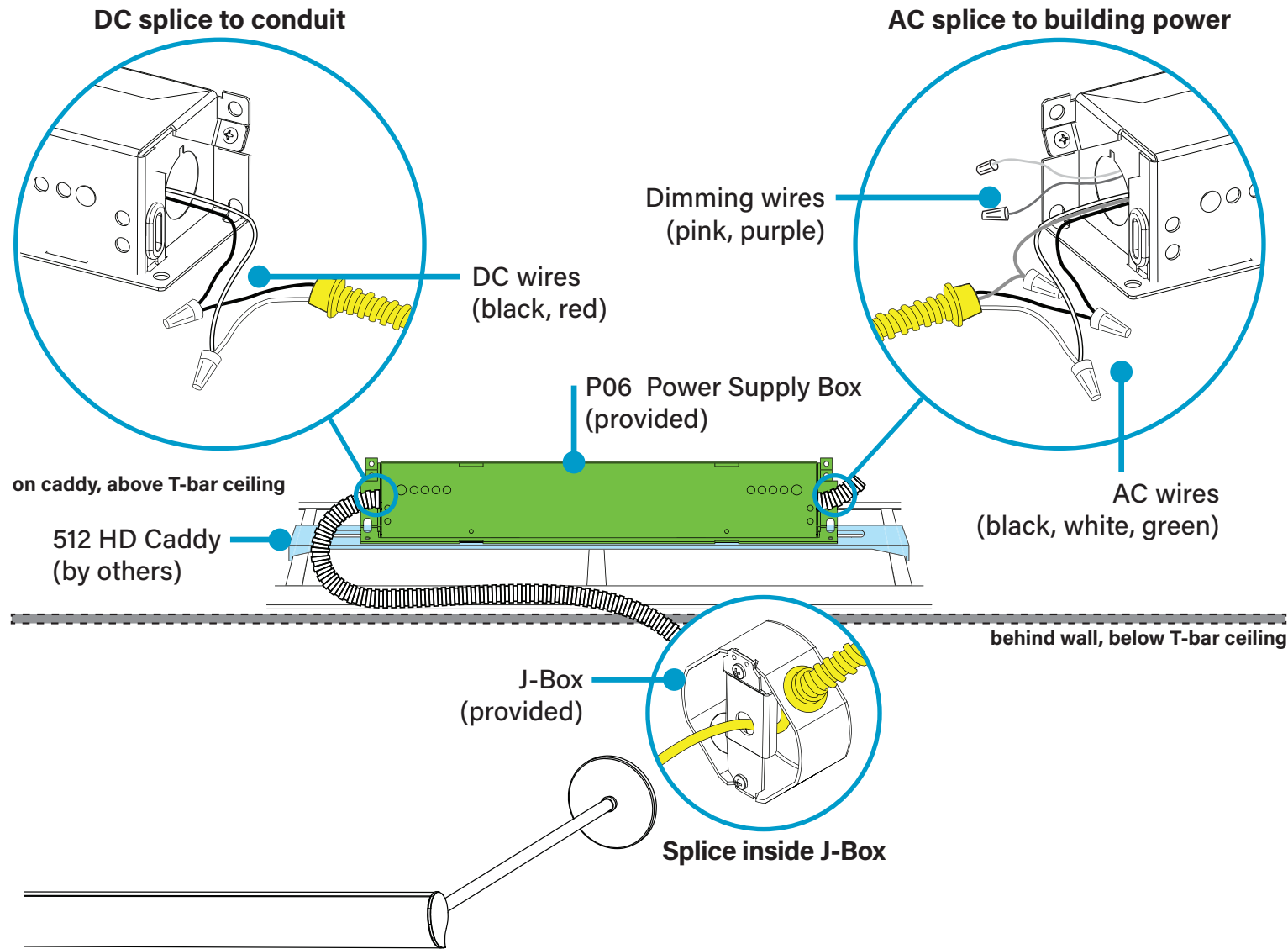
- Make electrical connections to conduit (by others).
- Connect power supply box to building power.
- Complete wiring splice inside J-Box.
- Turn on power to luminaire to test proper function.

E3 Arm Mount Installation Instructions

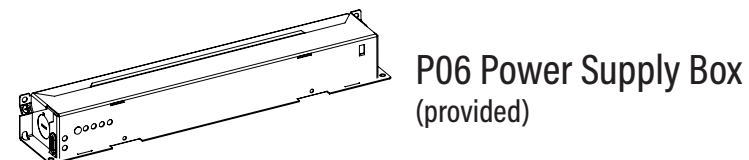
Step 3 - Remote Power Supply

B. Make Electrical Connections

Option 2 Between Grid

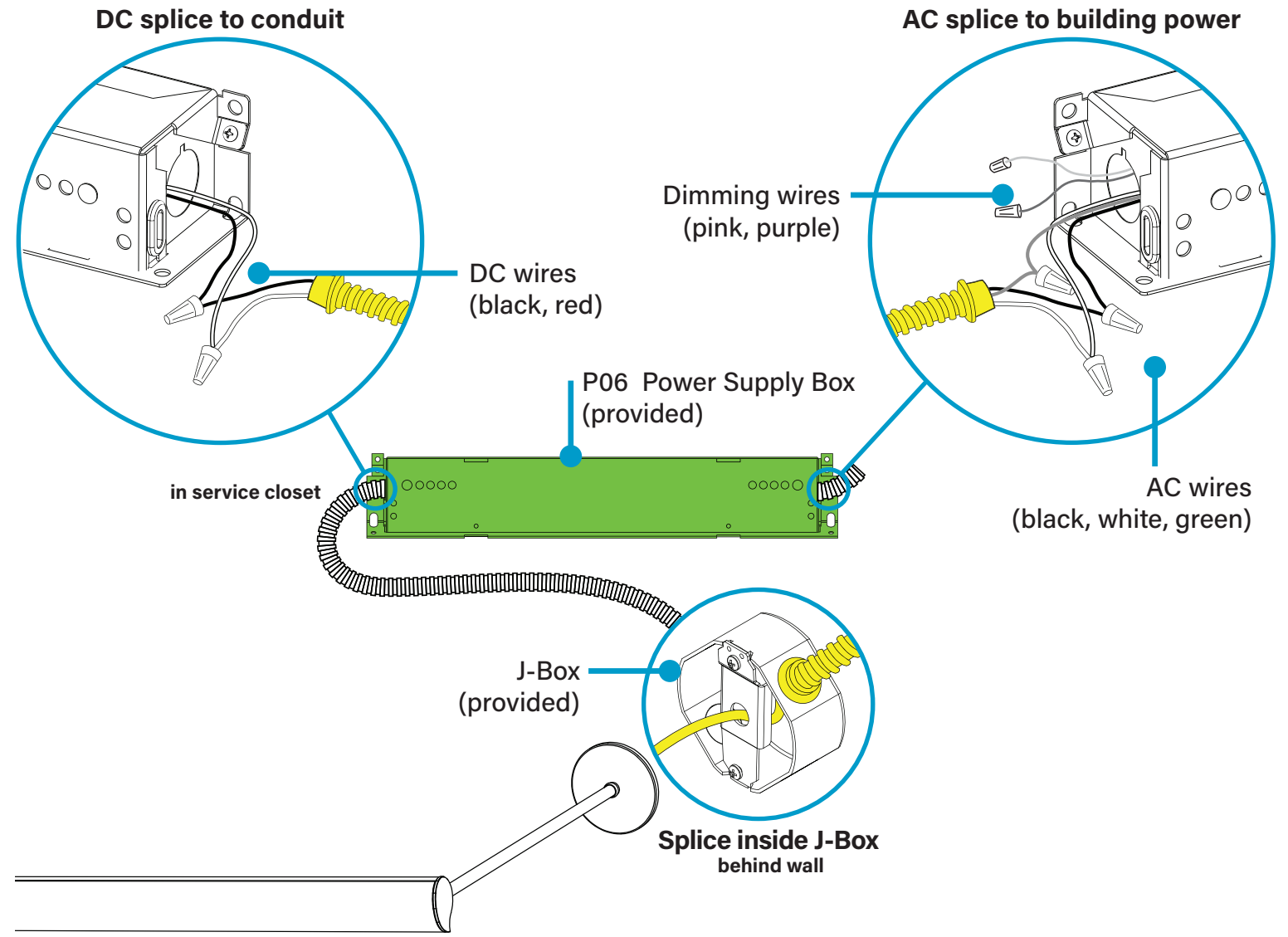


- Make electrical connections to conduit (by others).
- Connect power supply box to building power.
- Complete wiring splice inside J-Box.
- Turn on power to luminaire to test proper function.



B. Make Electrical Connections

Option 3 Accessible Area



- Make electrical connections to conduit (by others).
- Connect power supply box to building power.
- Complete wiring splice inside J-Box.
- Turn on power to luminaire to test proper function.