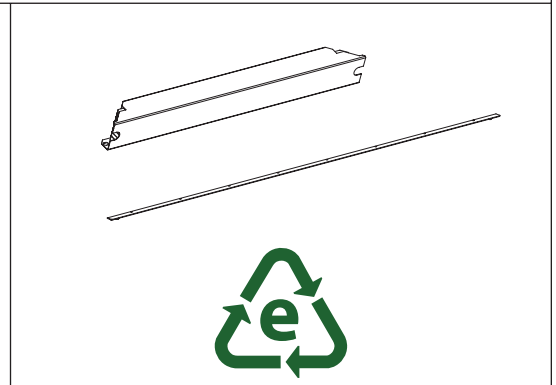
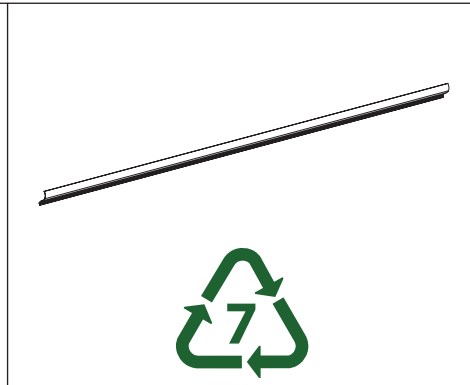
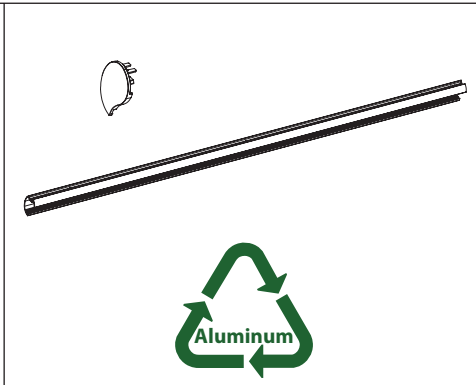
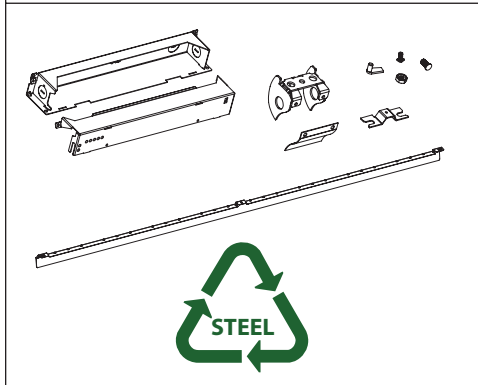
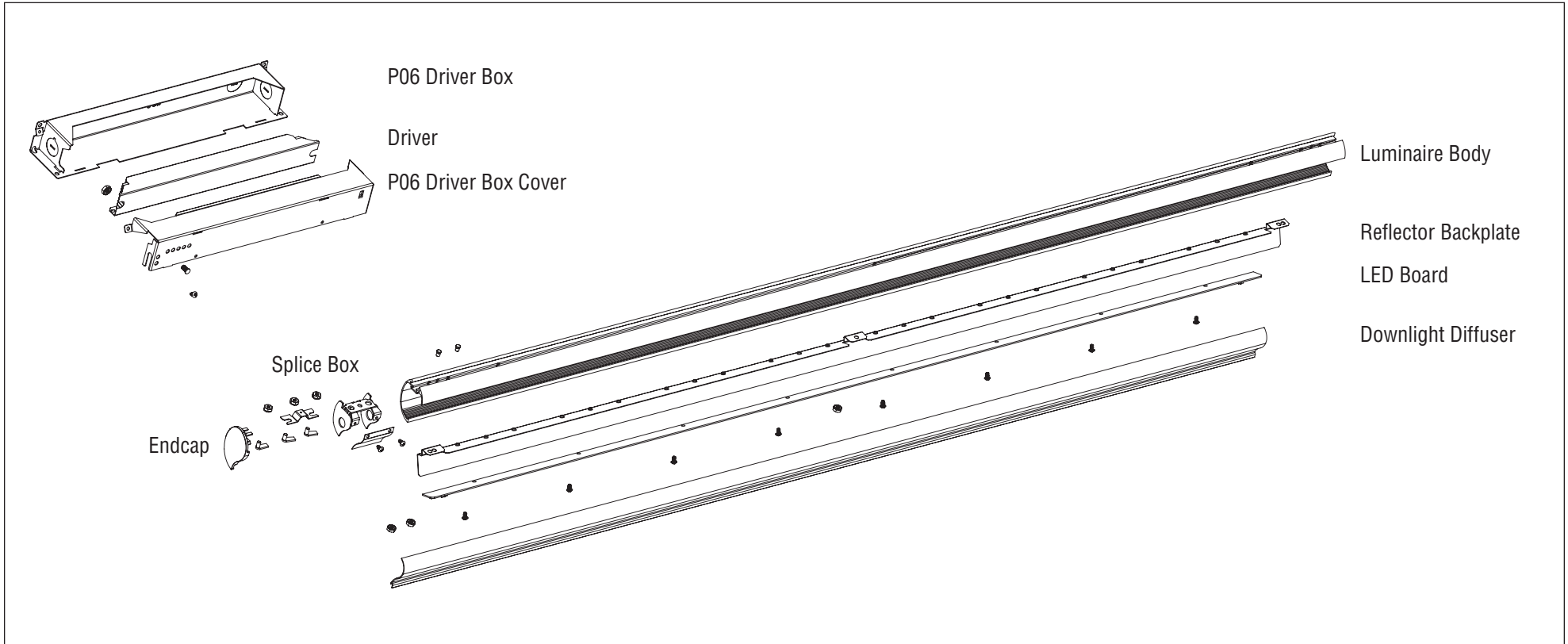


E3

E3 Recycling Luminaire Breakdown

FINELITE[®]
Better Lighting

Luminaire breaks down easily for recycling at the end of usable life*.



*Recycling information typical for all luminaire sizes. Contact factory for more information.

E3

E3 Recycling Luminaire Breakdown

100% Recyclable

E3 components are constructed from aluminum, steel, e-waste, copper wire, and plastic. E3 is 100% recyclable at the end of useful life.

