

HP-2 & HP-4 Circle 2', 3', & 4' LED Engine Replacement Instructions

Overview

NOTE

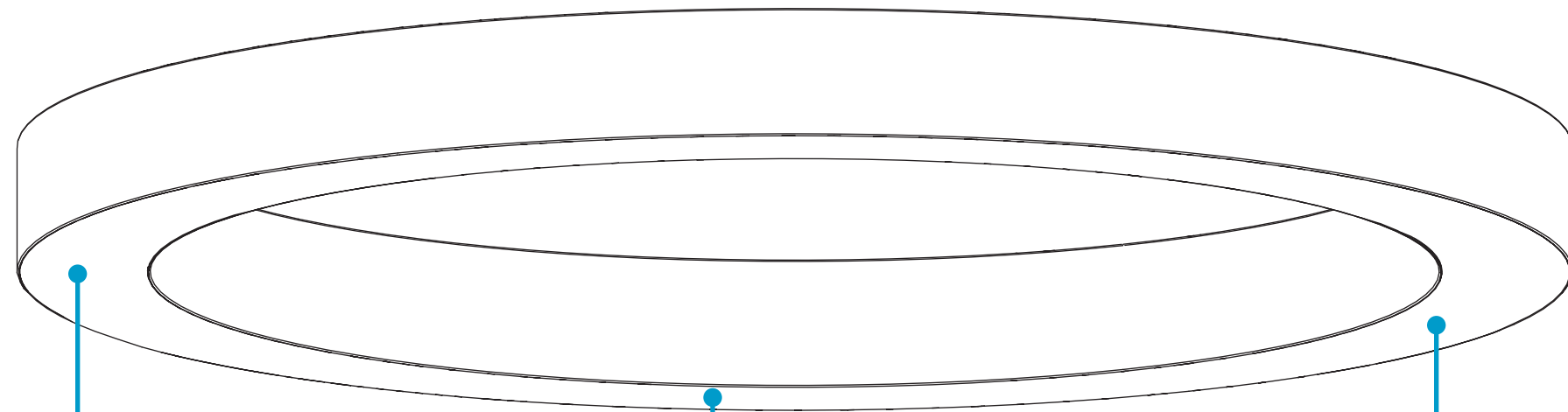
- All power connections should be installed according to local/national codes by a Certified Electrician.



HELPFUL
VIDEO



Circle
Diffuser
Installation



Step 1
Opening Luminaire
Pages 2-3

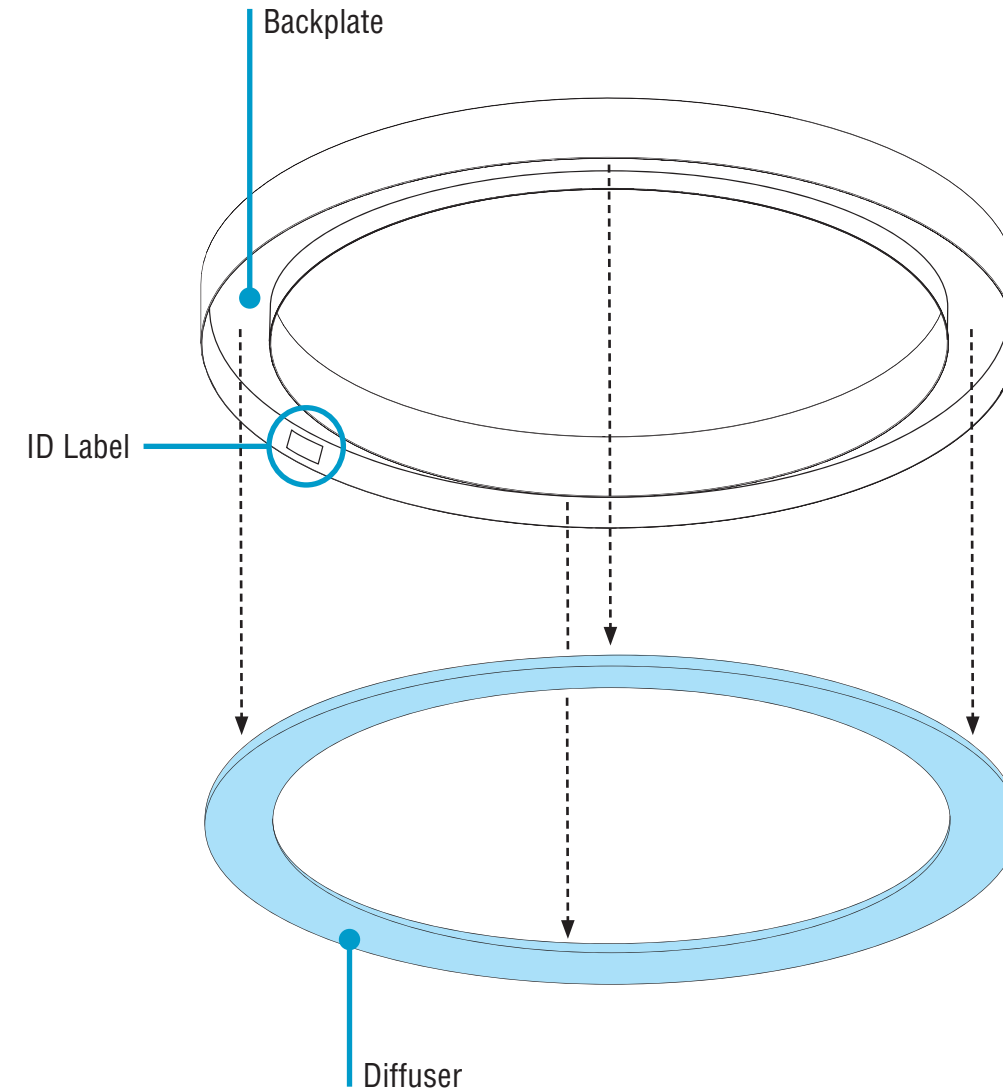
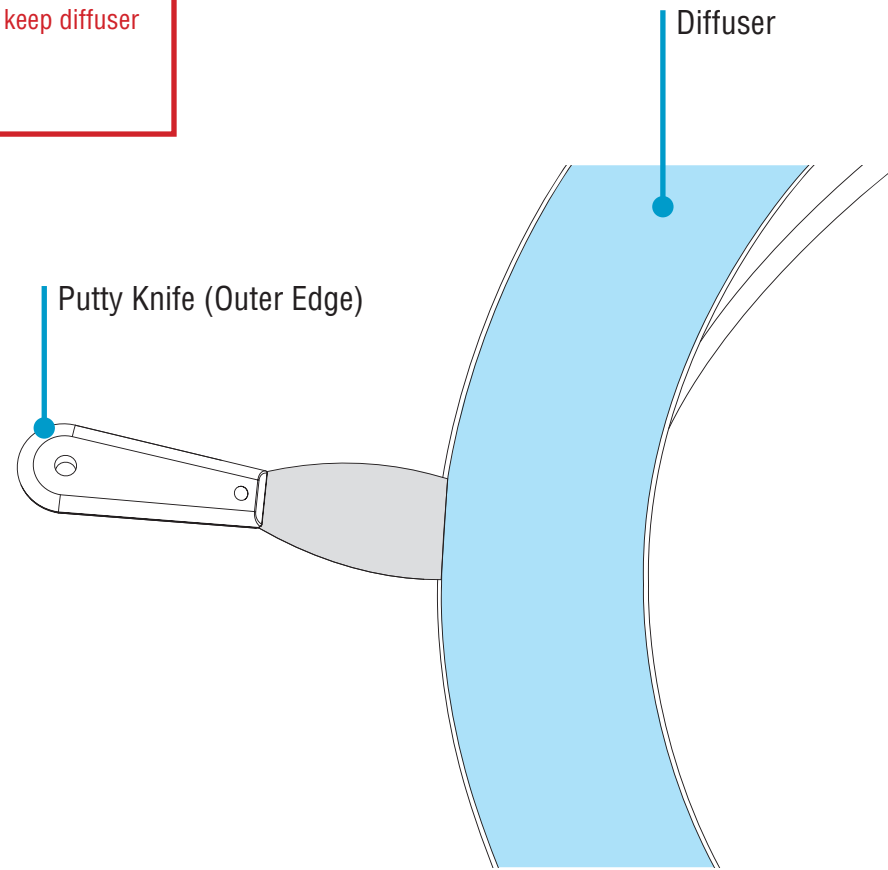
Step 2
Remove & Replace Engine
Page 4

Step 3
Closing Luminaire
Page 5

HP-2 & HP-4 Circle 2', 3', & 4' LED Engine Replacement Instructions

Step 1 - Opening Luminaire

A. Remove Diffuser Bottom-Up View



- **CAUTION:** Wear gloves to keep diffuser surface clean.
- **NOTE:** Maximum width of putty knife is 2 inches.
- **1.** To release diffuser, carefully slide putty knife between outer edge of diffuser and luminaire.
- **2.** Then, directly across from you carefully slide putty knife between inner edge of diffuser and luminaire.
- **3.** Work your way around outer edge of diffuser to fully release it from luminaire.
- Set aside diffuser to prevent it from getting dirty or damaged.
- Ensure diffuser can be clearly identified back to corresponding luminaire.

CONTINUED



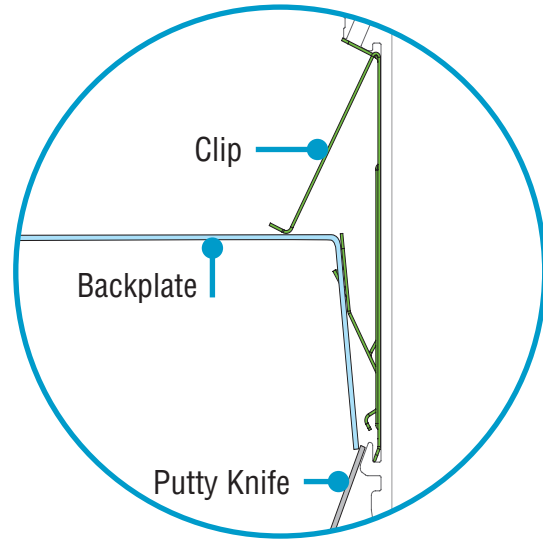
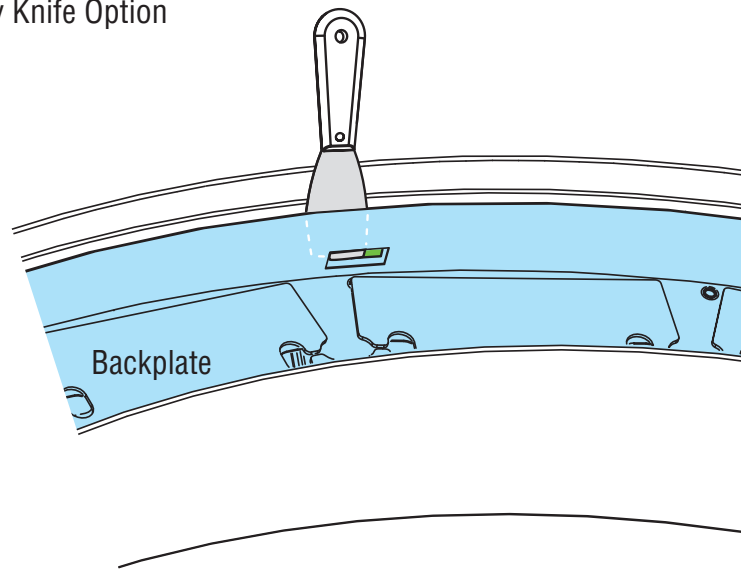
Circle
Diffuser
Installation

HP-2 & HP-4 Circle 2', 3', & 4' LED Engine Replacement Instructions

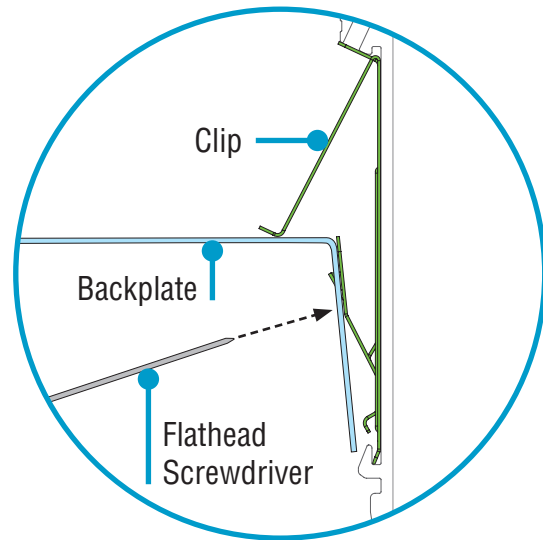
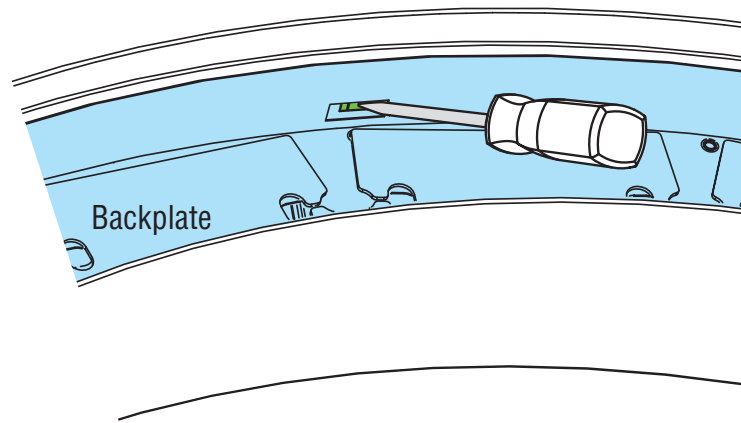
Step 1 - Opening Luminaire

B. Release Backplate Bottom-Up View

Putty Knife Option

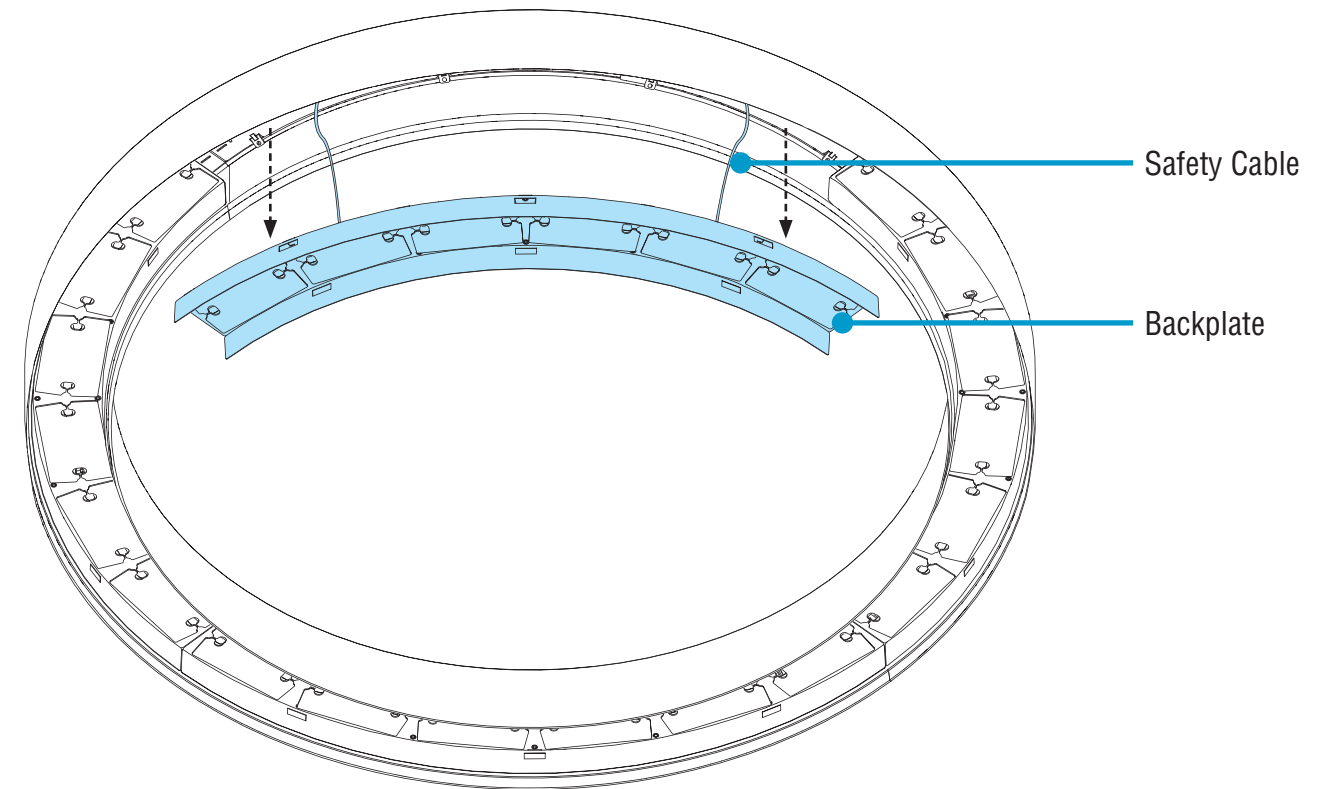


Flathead Screwdriver Option



- Open backplate for access to driver.
- Release backplate from clips by sliding the blade of a putty knife behind backplate edges.
- To use a flathead screwdriver: From inside backplate, press end of screwdriver against the clip until the backplate is released.

Bottom-Up View

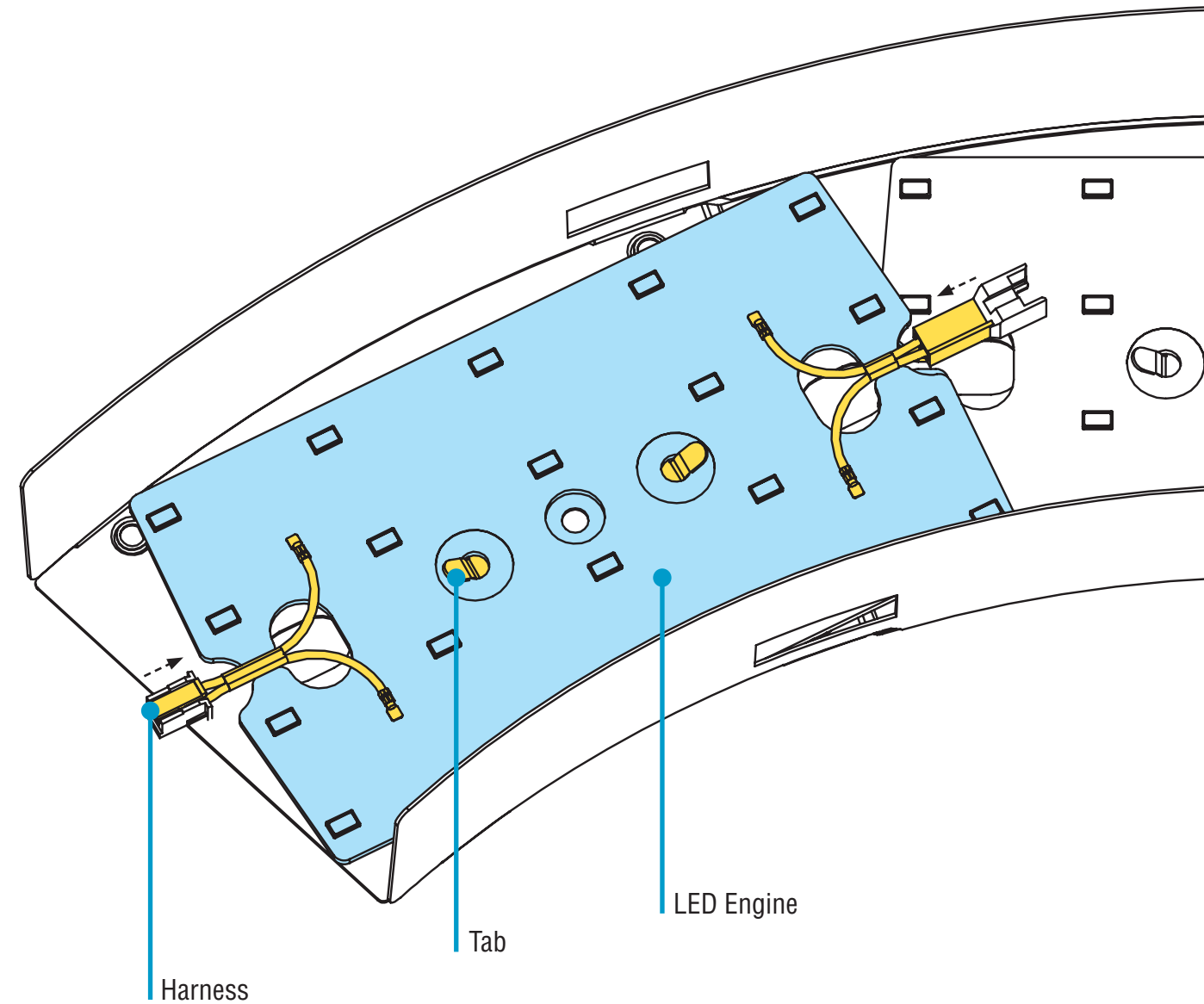


- **CAUTION:** Be careful when removing backplate. It may be connected by wiring harnesses.
- Carefully remove backplate.
- **NOTE:** Keep backplate hanging with safety cables connected.

HP-2 & HP-4 Circle 2', 3', & 4' LED Engine Replacement Instructions

Step 2 - Remove & Replace Engine

Remove & Replace Engine Bottom-Up View

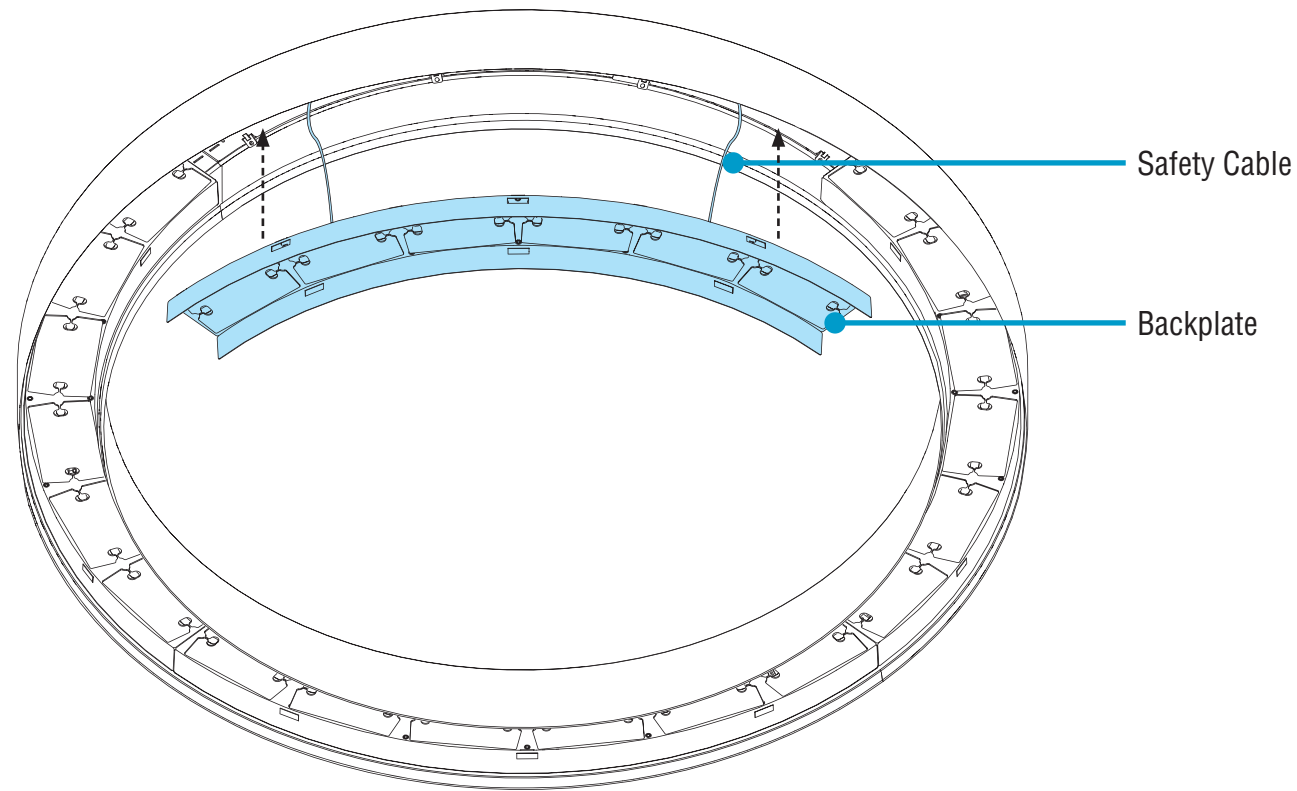


- Disconnect harnesses.
- Bend tabs to release LED engine from backplate.
- Remove old LED engine and replace with new LED engine.
- Secure new LED engine onto backplate with tabs.
- Reconnect harnesses.

HP-2 & HP-4 Circle 2', 3', & 4' LED Engine Replacement Instructions

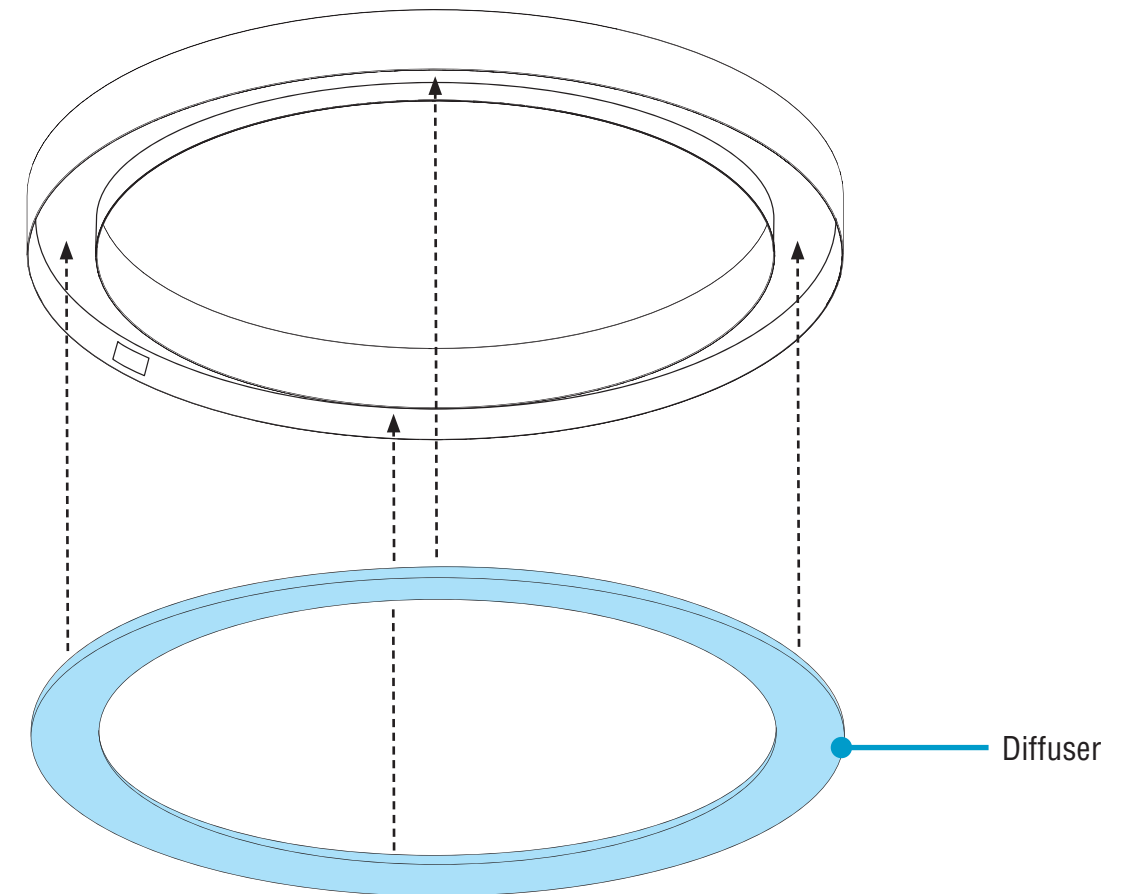
Step 3 - Closing Luminaires

A. Replace Backplate Bottom-Up View



- **NOTE:** Keep backplate connected to safety cables.
- Carefully replace backplate by snapping back into clips.

B. Replace Diffuser Bottom-Up View



- **CAUTION:** Wear gloves to keep diffuser surface clean.
- Replace diffuser and turn power on to luminaire.



Circle
Diffuser
Installation