

Submitted by:		Date:
Type:	Project:	
Ordering Info:		

High Performance 2" Aperture (HP-2 WS) Perimeter Slot



Pre-built
Fully Illuminated
90° Corners

Inside Corner Shown

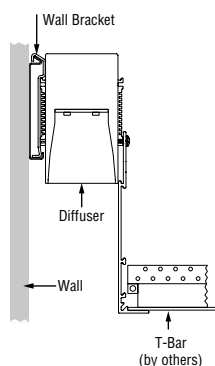
HP-2 WS Perimeter Slot provides ultimate flexibility for perimeter lighting with exact fit tailored lengths or optional adjustable telescoping sections. Prebuilt, fully-illuminated 90° inside and outside corners add to its clean aesthetics. HP-2 WS Perimeter Slot delivers excellent performance using an advanced optical design and mid-power LEDs. Achieving 90% of initial light output at 100,000+ hours and backed by a 10-year performance-based warranty on all standard components. An all-in-one box shipping approach to reduce labor and streamline installation.

This product is enrolled in the International Living Future Institute (ILFI) Declare 2.0 Program and is third-party verified with options achieving **Red List Approved** and **Red List Declared** status.

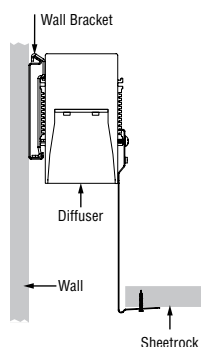
Note: see page 6 for all aesthetic options

CROSS SECTIONS

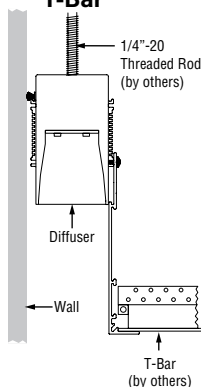
Wall Mount
T-Bar



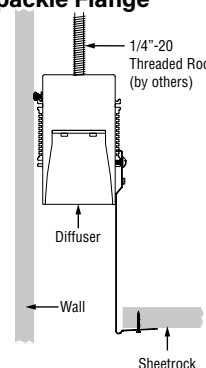
Wall Mount
Spackle Flange



Threaded Rod
T-Bar

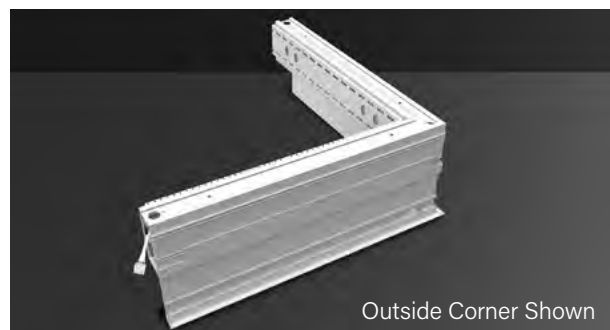


Threaded Rod
Spackle Flange



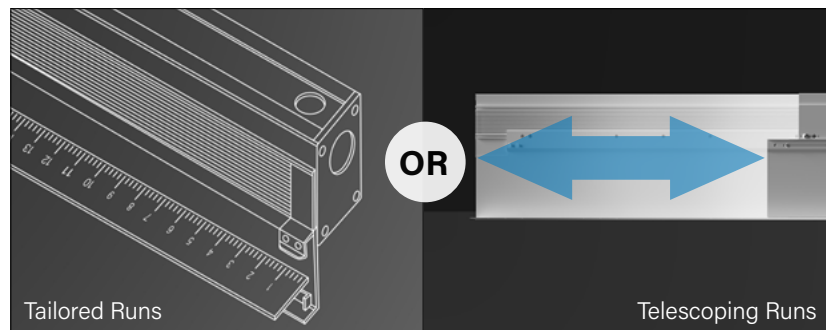
FEATURES

Fully illuminated, factory built all-in-one box shipping plug-together inside and outside corners for easy installation.



Outside Corner Shown

Provide exact wall dimensions and we will deliver precisely down to 1/16" or optional adjustable telescoping (TXL) sections adaptable to on-site dimension.



Tailored Runs

Telescoping Runs



Submitted by:		Date:
Type:	Project:	
Ordering Info:		

High Performance 2" Aperture (HP-2 WS) Perimeter Slot

Ordering Sample: HP-2 WS-4D-24'-B-835-96LG-277-SC-FC-10%-WB-C1-FE-L-FE-R-SW

BODY TYPE

OUTPUT AND LED TYPE

Platform	Series Name	Regressed Optic Depth	Total Length of Run	Downlight Output	LED CRI/CCT
HP - High Performance	2 WS	4D - 4" Depth	<p>For configurations provide nominal total length. Actual length calculated by factory. Please provide drawings to clearly illustrate corners and wall dimensions</p> <p>Tailored Runs: Minimum 2' section length. Increments accurate to 1/16" (±1/32), standard. 12' maximum section length.</p> <p>TXL Runs: Optional TXL adds 1" to run length and up to an additional 11" of fully illuminated adjustability. Minimum length with TXL: 4'-1" with Std. EldoLED drivers or 5'-1" with all other drivers. Max single section length with TXL adjustable from 11'-1" to 12'-0".</p>	<p>S - Standard (326 lm/ft)</p> <p>B - Boosted Standard (410 lm/ft)</p> <p>H - High (619 lm/ft)</p> <p>V - Very High (796 lm/ft)</p> <p>TL - Tailored: _____ lm/ft*</p> <p>* Specify Tailored lm/ft of outputs between Standard (S) and Very High (V). Consult factory for tailored lumen output outside of this range.</p>	<p>830 - 80 CRI, 3000K</p> <p>835 - 80 CRI, 3500K</p> <p>840 - 80 CRI, 4000K</p> <p>930 - 90 CRI, 3000K</p> <p>935 - 90 CRI, 3500K</p> <p>940 - 90 CRI, 4000K</p> <p>8TW - 80 CRI, Tunable White</p> <p>9TW - 90 CRI, Tunable White</p>

MECHANICAL/OPTICAL OPTIONS

ELECTRICAL OPTIONS

Reflector System	Voltage	Circuiting ¹	Driver Selection
96LG - 96 Low Gloss White	120 - 120 Voltage 277 - 277 Voltage 347 - 347 Voltage	<p>SC - Single Circuit* One single circuit in a run</p> <p>MC - Multi-Circuit* More than one switch leg or zone. Must provide circuiting requirements for each luminaire to manufacture. Factory shop drawings required.</p> <p>* Battery, Night Light, and Emergency to Generator circuits are in addition to the normal luminaire circuit(s)</p>	<p>0-10V Driver Options</p> <p>FC-10% - 0-10V 10% (standard)</p> <p>FC-1% - 0-10V 1%</p> <p>OTi-10% - EldoLED OTi, 0-10V 10%²</p> <p>OTi-1% - EldoLED OTi, 0-10V 1%²</p> <p>ELD-10V-0% - EldoLED SOLOdrive, 0-10V 0.1%</p> <p>10V-TW-10% - EldoLED OTi, 0-10V 10% (Tunable White)²</p> <p>DALI Driver Options</p> <p>FC-DALI-1% - DALI 1%</p> <p>DXL-DALI-1% - EldoLED Dexal, 1%</p> <p>ELD-DALI-0% - EldoLED SOLOdrive, 0.1%</p> <p>ELD-DALI-TW - EldoLED DUALdrive LightShape, 0.1% (Tunable White)</p> <p>See Page 3 for additional driver options and details</p>

Lutron Driver Options

LUT-ES1 - Lutron, Ecosystem 1%

LUT-TW - Lutron T-Series, 0.1% (Tunable White)

MOUNTING OPTIONS

OTHER OPTIONS

Mounting Method	Ceiling Hardware Type *	End Condition Left ⁴	Middle Condition ⁴ (Optional)	End Condition Right ⁴	Finish
<p>TR - Threaded Rod Ideal for Post-Ceiling installation</p> <p>WB - Wall Bracket Ideal for Pre-Ceiling installation</p>	<p>C1 - 15/16" T-Bar</p> <p>C2 - 9/16" T-Bar</p> <p>C3 - Screw Slot</p> <p>SF - Spackle Flange</p> <p>C1T - 15/16" Tegular</p> <p>C2T - 9/16" Tegular</p> <p>* Compatible with all T-Bar type. T-Bar width provided is 15/16" wide.</p>	<p>FE-L - Flat Endcap (standard)</p> <p>PE-L - Pocket Slot</p> <p>TXL-L * - Telescoping (End feed only)</p> <p>PE-TXL-L * - Pocket Slot Telescoping</p>	<p>TXL-M * - Telescoping Middle (Not available for lengths less than 11ft)</p> <p>None - None</p>	<p>FE-R - Flat Endcap (standard)</p> <p>PE-R - Pocket Slot</p> <p>TXL-R * - Telescoping (End feed only)</p> <p>PE-TXL-R * - Pocket Slot Telescoping</p>	<p>SW - Signal White (standard)</p>

* Just one optional TXL provides fully illuminated adjustability of up to 11". Choose TXL-L (Left), TXL-M (Middle), or TXL-R (Right).

NOTE: These mounting hardware will be difficult to change on the field.

OTHER OPTIONS

Emergency Style (Optional) See page 5 Backup Battery table	Remote Sensor (Optional)	Special Options (Optional)	Configuration
<p>LGD18W - Legrand 18W Brand Battery Back-up</p> <p>LGD10W - Legrand 10W Brand Battery Back-up</p> <p>EM/GEN - Emergency to Generator</p> <p>NL - Night Light</p> <p>BSL310LP - Bodine Battery Back up Low Profile</p> <p>GTD - Generator Transfer Device</p> <p>ALCR - Automatic Load Control Relay</p>	<p>REE - Remote Enlighthed^{5,6}</p> <p>ARF-W - Lutron Athena RF⁷ (Device Color White)</p> <p>ARF-B - Lutron Athena RF⁷ (Device Color Black)</p>	<p>CP - Chicago Plenum</p> <p>FLX - Flex Whip</p> <p>RLA - Red List Approved</p> <p>RLD - Red List Declared</p>	<p>CFG - Configuration</p> <p>Select CFG when specifying a run that has at least one corner. Please provide plan drawings to clearly communicate wall length dimensions.</p>

¹ Contact factory for switching options

² Add DTO to gain "Dim to Off" functionality (FC-10% - DTO, FC-1% - DTO)

³ B & V outputs only

⁴ Telescoping can be Left, Middle, or Right. Left, Middle, and Right telescoping on the same body section is not available, consult factory if needed.

⁵ Enlighthed components installed by Finelite, provided by others

⁶ Enlighthed Control Unit & Sensor Cable installed for Remote mounting sensor

⁷ 0-10V Drivers - ARF up to 40 driver may be connected. DALI Drivers - ARF up to 4 drivers can be connected

Submitted by:		Date:
Type:	Project:	
Ordering Info:		

High Performance 2" Aperture (HP-2 WS) Perimeter Slot

SUPPLEMENTARY DRIVER PAGE

0-10V Driver Options

FC-10%	Factory Choice, 0-10V 10% Dimming (Linear)
FC-10%-DTO	Factory Choice, 0-10V 10% Dimming, Dim-to-Off (Linear)
FC-1%	Factory Choice, 0-10V 1% Dimming (Linear)
FC-1%-DTO	Factory Choice, 0-10V 1% Dimming, Dim-to-Off (Linear)
ELD-10V-0%	EldoLED SOLOdrive, 0-10V 0.1% Dimming (Linear)
ELD-10V-1%	EldoLED ECOdrive, 0-10V 1% Dimming (Linear)
10V-TW-10%	EldoLED OTi, 0-10V 10% Dimming, Tunable White (Linear)
10V-TW-10%-DTO	EldoLED OTi, 0-10V 10% Dimming, Dim-to-Off, Tunable White (Linear)
OTi-10%	EldoLED OTi, 0-10V 10% Dimming (Linear)
OTi-10%-DTO	EldoLED OTi, 0-10V 10% Dimming, Dim-to-Off (Linear)
OTi-1%	EldoLED OTi, 0-10V 1% Dimming (Linear)
OTi-1%-DTO	EldoLED OTi, 0-10V 1% Dimming, Dim-to-Off (Linear)

DALI Driver Options

FC-DALI-1%	Factory Choice, DALI 1% Dimming (Logarithmic)
DXL-DALI-1%	EldoLED Dexal, DALI 1% Dimming (Logarithmic)
ELD-DALI-0%	EldoLED SOLOdrive, DALI 0.1% Dimming (Logarithmic)
ELD-DALI-1%	EldoLED ECOdrive, DALI 1% Dimming (Logarithmic)
ELD-DALI-TW	EldoLED DUALdrive Light Shape, DALI 0.1% Dimming, Tunable White (Logarithmic Dimming, Linear CCT Control)

Lutron Driver Options

LUT-ES1	Lutron, Ecosystem 1% Dimming
LUT-TW	Lutron T-Series, EcoSystem 0.1% Dimming, Tunable White

Submitted by:		Date:
Type:	Project:	
Ordering Info:		

High Performance 2" Aperture (HP-2 WS) Perimeter Slot

SPECIFICATIONS

BODY TYPE

CONSTRUCTION: Precision-cut 6063-T6 extruded aluminum body. Internal joiner system and plug-together wiring are standard.

LENGTHS: Any length, 2' minimum, in increments down to 1/16th" ($\pm 1/32"$). 12' maximum section length. Telescoping (**TXL**) Minimum run length with Std. EldoLED drivers: 4'-1" adjustable to 5'-0". Telescoping (**TXL**) Minimum run length with all other drivers: 5'-1" adjustable to 6'-0". Max single section length with TXL adjustable from 11'-1" to 12'-0". Just one optional TXL provides fully illuminated adjustability of up to 11". Choose TXL-L(Left), TXL-M (Middle), or TXL-R(Right).

PRE-BUILT 90 DEGREE CORNERS¹: Fully illuminated 90 degree inside and outside corners available. Pre-built corners account for 2' of wall length for both inside and outside corners. Consult factory for non-90 degree corners.

OUTPUT AND LED TYPE

LIGHT OUTPUT: Four lumen packages available, Standard (**S**), Boosted Standard (**B**), High (**H**), and Very High (**V**). For Tailored Outputs outside of range from Standard (**S**) to Very High (**V**), consult factory. Light engines are replaceable.

MECHANICAL/OPTICAL OPTIONS

DOWNLIGHT OPTION: 12' maximum diffuser length. Flush frost white snap-in diffuser standard, 83% transmissive, 99% diffusion. Internal secondary diffusers at corners ensure visually seamless, uniform, continuous illumination.

LUMEN MAINTENANCE: 90% of initial light output (L90) at 100,000+ hours; 70% of initial light output (L70) at 200,000+ hours.

REFLECTORS: Die-formed 20-gauge cold-rolled steel reflectors finished in 96LG High Reflectance white powder coat paint.

ELECTRICAL OPTIONS

STATIC WHITE FEED: Standard with one 18-gauge/5-conductor single-circuit feed wire controlling downlight (power and dimming). 14-gauge feed wire used when luminaire current exceeds 5 amps. Telescoping section available with end feed only.

TUNABLE WHITE FEED: Standard with one 18-gauge/5-conductor single-circuit feed. 14-gauge feed used when luminaire current exceeds 5 amps.

STATIC WHITE DRIVER: Replaceable 120V, 277V, and 347V constant current reduction dimming driver standard. Can be wired dimming or non-dimming. 0-10V dimming controls with a range of 10%- 100% standard. Dimming to 1% available. Separate dimming for uplight and downlight available. Driver is fully accessible from below the ceiling.

- **Power Factor:** ≥ 0.9
- **Total Harmonic Distortion (THD):** $< 20\%$
- **Expected driver lifetime:** 100,000 hours

LUTRON DRIVER OPTIONS:

- **LUT-ES1 (LDE1)** (Hi-lume 1% EcoSystem with Soft-On, Fade-to-Black dimming (LDE1 series)) (LDE1)

TUNABLE WHITE DRIVER: Replaceable LED driver. Driver is accessible from below the ceiling. 120V, 277V, and 347V.

- **Power factor:** ≥ 0.90
- **Total Harmonic Distortion (THD):** $< 20\%$
- **Dimming Range:** 100%-10%
- **Expected driver lifetime:** 100,000 hours

LUTRON TUNABLE WHITE DRIVER OPTION:

- **LUT-TW** (1% T-Series 2-Channel Digital Tunable White (PSQ Series)), (PSQ02U)

MOUNTING OPTIONS

HANGING HARDWARE: Threaded Rod (TR) option eliminates the need to install luminaires prior to the slot being framed. Luminaire mounts on threaded rods. Gasket runs length of luminaire ensuring a clean finish at the wall. Optional mounting includes a wall bracket that is attached to the wall. Luminaires are then snapped onto the bracket. Luminaire installation that uses the mounting bracket must be performed before the perimeter slot framing is built. Blocking may be required to properly secure and position the luminaire. Be sure to allow room for finished wall materials such as stone, tile etc. Refer to details on page 7.

TUNABLE WHITE INTERCONNECTION CABLES: Luminaires are pre-wired with plug-and-play interconnection cables to support easy plug-together joining of luminaire runs.

OTHER OPTIONS

END CONDITIONS: Flat end condition (**FE-L & FE-R**)¹ at each end of run add 1/8" to each end of luminaire and are used when luminaire terminates at a vertical surface such as a finished wall. Pocket slot end condition (**PE-L & PE-R**)¹ to end and are used when slot terminates before meeting additional vertical wall surface. Includes the necessary hardware to accommodate ceiling materials when the luminaire doesn't terminate at a wall. Adds 1-1/4" for Spackle Flange and 1" for T-Bar per

Continued

Submitted by:		Date:
Type:	Project:	
Ordering Info:		

High Performance 2" Aperture (HP-2 WS) Perimeter Slot

SPECIFICATIONS

endcap to overall length of the luminaire.

EMERGENCY STYLE: Optional emergency to generator/inverter wiring, internal generator transfer switch, nightlight wiring, step-dimming driver, backup battery.

Backup Battery				
	Legrand 18W		Legrand 10W/ Bodine BSL310LP	
Min. Housing Length	8' [*]	10' [*] + TXL	4' [*]	6' [*] + TXL
EM Lumen Output	1608	1608	891	956
EM Section Illuminated	2'	2'	4'	2' or 4'

^{*} Minimum luminaire housing length for battery pack approved without sensor

^{**} Exception: 5' not available, 6'+ okay

The lumens are based on 835. For other CCT/CRI, refer to the Lumen Adjustment Factor table on page 10.

TUNABLE WHITE ELECTRICAL OPTIONS⁶:

- **TW Driver Options 0-10V:** EM/GEN, GTD or Battery Back up
- **DALI:** EM/GEN, GTD or Battery Back up
- **LUTRON:** EM/GEN, GTD or Battery Back up

REMOTE SENSORS: Remote mounted PIR (Passive Infrared) occupancy or daylight sensors available. Refer to Occupancy Sensor & Daylight Sensor tech sheet and the Embedded Intelligence landing page for more information and additional sensor options.

FINISHES: Finelite Signal White (**SW**) powder coat finish standard. Optional Adder: 179 RAL colors² are available. Custom color applies to the visible T-Bar flange.

LABELS: Luminaire and electrical components are ETL-listed conforming to UL 1598 in the U.S.A. and CAN/CSA C22.2 No. 250.0 in Canada. In accordance with NEC Code 410.130 (G), this luminaire contains an internal driver disconnect. UL 924 and UL 2108 - PoE options available on request. These luminaires are rated for Damp Location. IC Rated. Finelite products use electronic components that are RoHS compliant, and the mechanical components of the luminaire have been verified to not knowingly contain any restricted substances listed per RoHS Directive 2015/863. Consult factory for tailored lighting options. Finelite makes the specification process easy when putting healthier products on your projects. Simply add – **RLA** (Red List Approved) or – **RLD** (Red List Declared) to your part number.

WEIGHT⁸: Wall Mount T-Bar: 4.6 lb/ft; Wall Mount SF: 4.4 lb/ft; Threaded-Rod T-Bar: 3.1 lb/ft; Threaded-Rod SF: 2.9 lb/ft

WARRANTY: 10-year performance-based warranty on all standard components. Optional accessories such as emergency battery packs are covered by their individual manufacturer warranties.

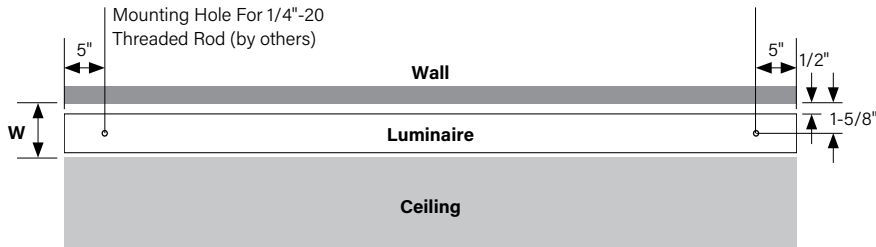
¹ Minimum 3' body section length when using standard Finelite EldoLED drivers. Minimum 4' body section length when using other drivers

² 20 business days lead time for color

Submitted by:		Date:
Type:	Project:	
Ordering Info:		

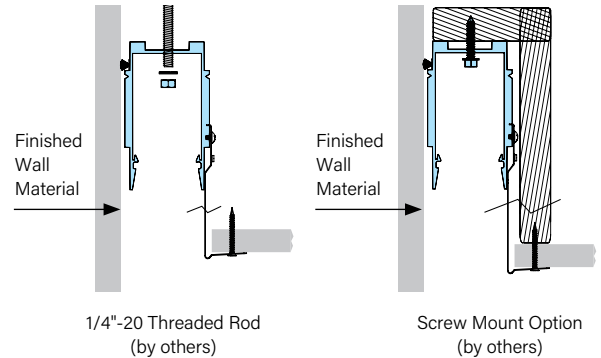
High Performance 2" Aperture (HP-2 WS) Perimeter Slot

THREADED-ROD (TR) MOUNTING LOCATION

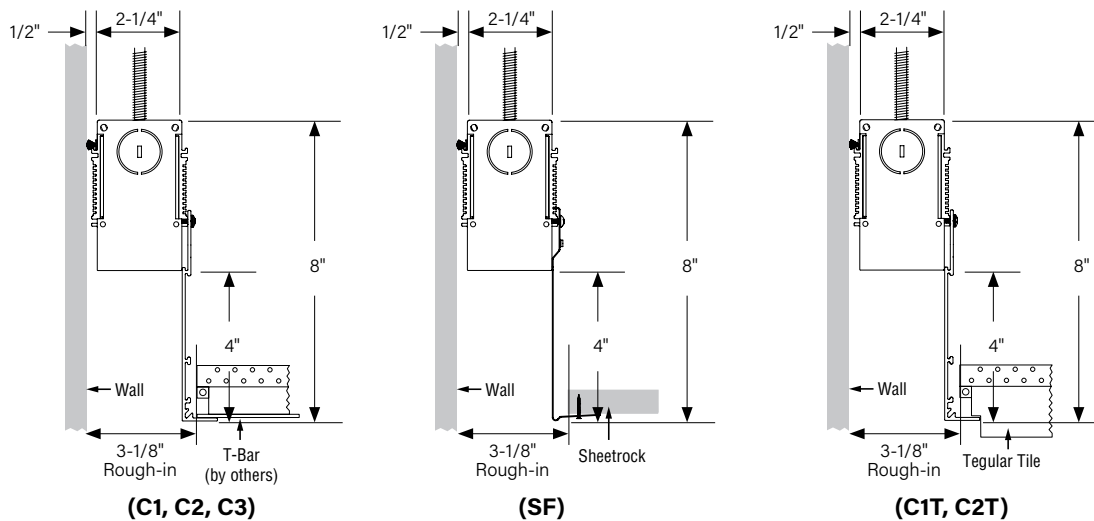


W (Rough-In): Spackle Flange & T-Bar: 3-1/8"

MOUNTING OPTIONS

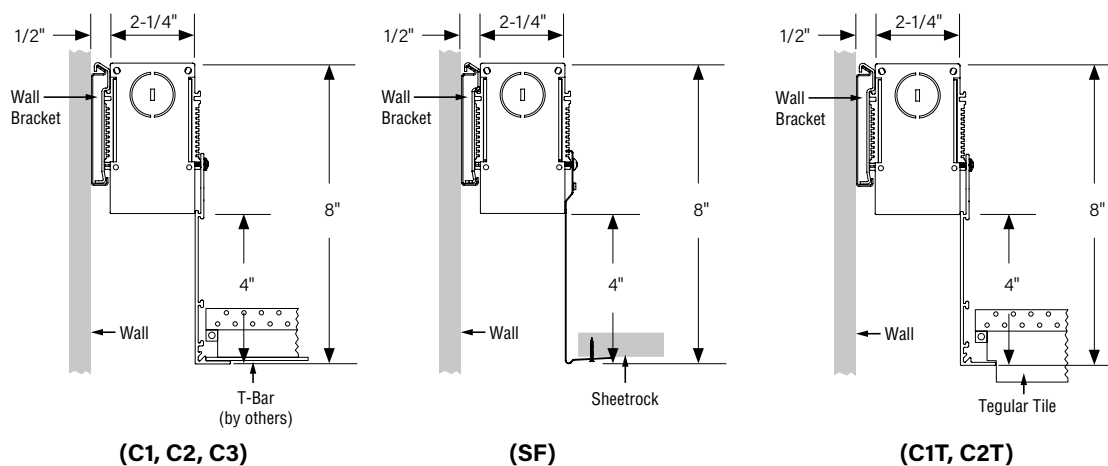


THREADED-ROD (TR) MOUNTING CROSS SECTIONS



Note: Use blocking to allow room for finished wall materials such as stone, tile etc.

WALL BRACKET (WB) MOUNTING CROSS SECTIONS



Note: Use blocking to allow room for finished wall materials such as stone, tile etc.

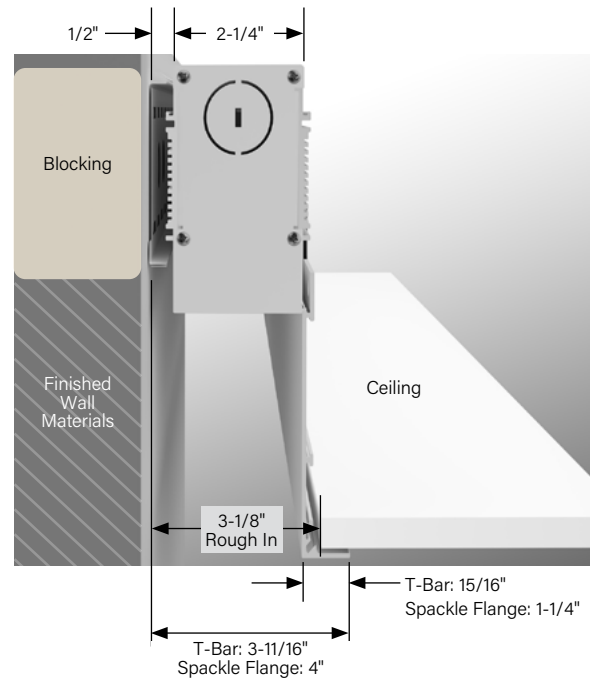
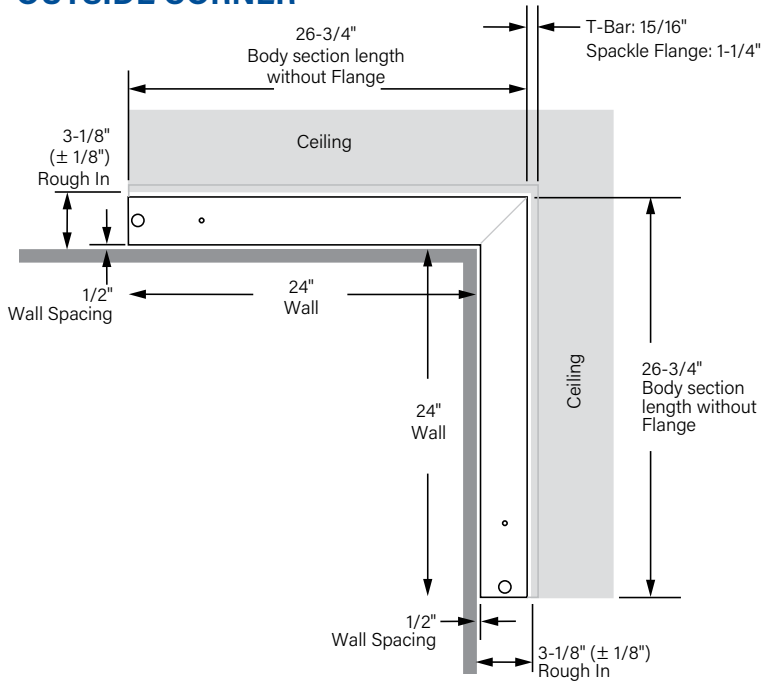
Submitted by:		Date:
Type:	Project:	
Ordering Info:		

High Performance 2" Aperture (HP-2 WS) Perimeter Slot

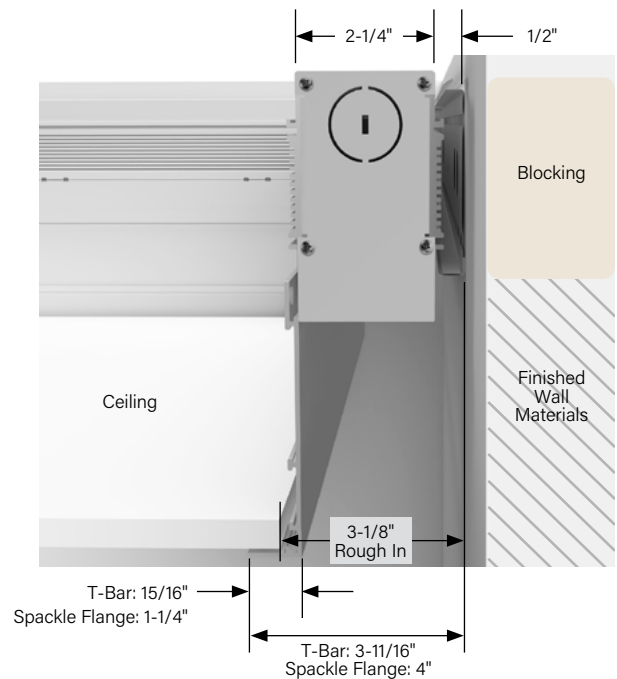
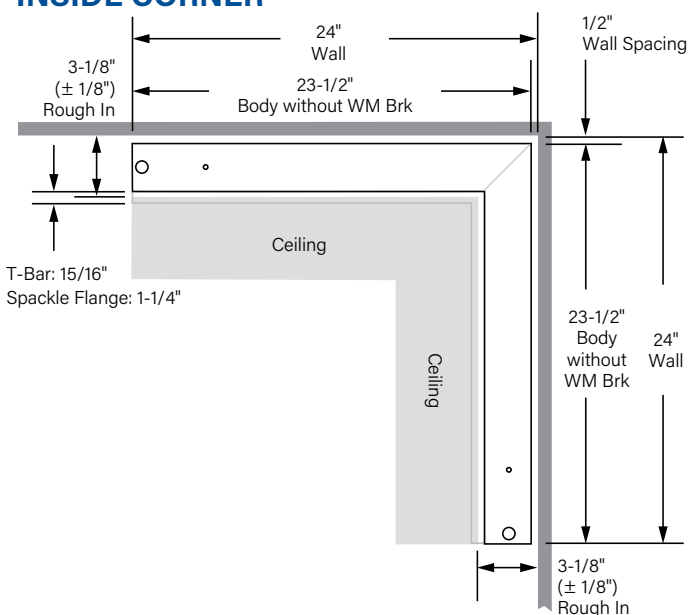
PRE-BUILT 90° INSIDE AND OUTSIDE FULLY ILLUMINATED CORNERS

Pre-built inside and outside 90° corners provide fully illuminated corners. Mitered joints are pre-assembled in the factory for easy installation in the field. As shown in the example below, inside and outside corners take up 2ft of wall length to simplify the calculation of remaining run length.

OUTSIDE CORNER



INSIDE CORNER

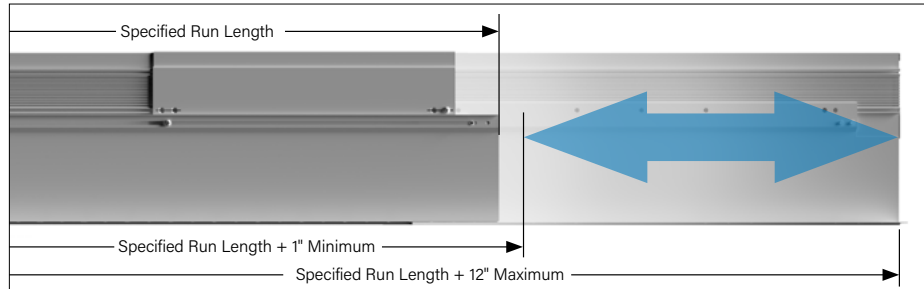


Submitted by:		Date:
Type:	Project:	
Ordering Info:		

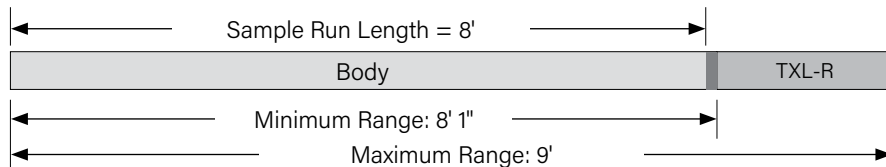
High Performance 2" Aperture (HP-2 WS) Perimeter Slot

TELESCOPING

One telescoping (TXL) provides on-site flexibility with up to 11" of adjustability, and can be specified on either end of a run. Telescope adds a minimum of 1" and maximum of 12" to the run length provided. Max single section length with TXL adjustable from 11'-1" to 12'-0". Offered with flat endcap (standard) or pocketslot endcap.

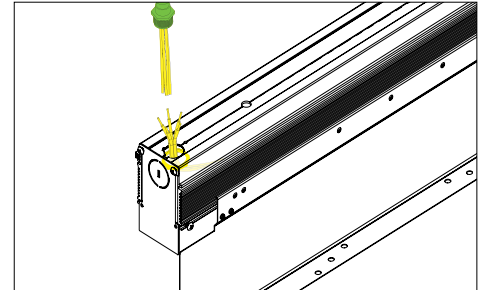


SF WM Telescoping Shown

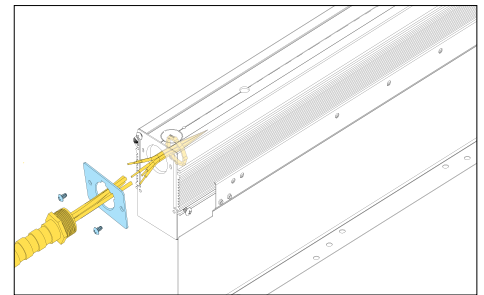


Ordering Sample: HP-2 WS-4D-8'-B-835-96LG-277-SC-FC-10%-WB-C1-FE-L-TXL-R-SW

POWER FEED



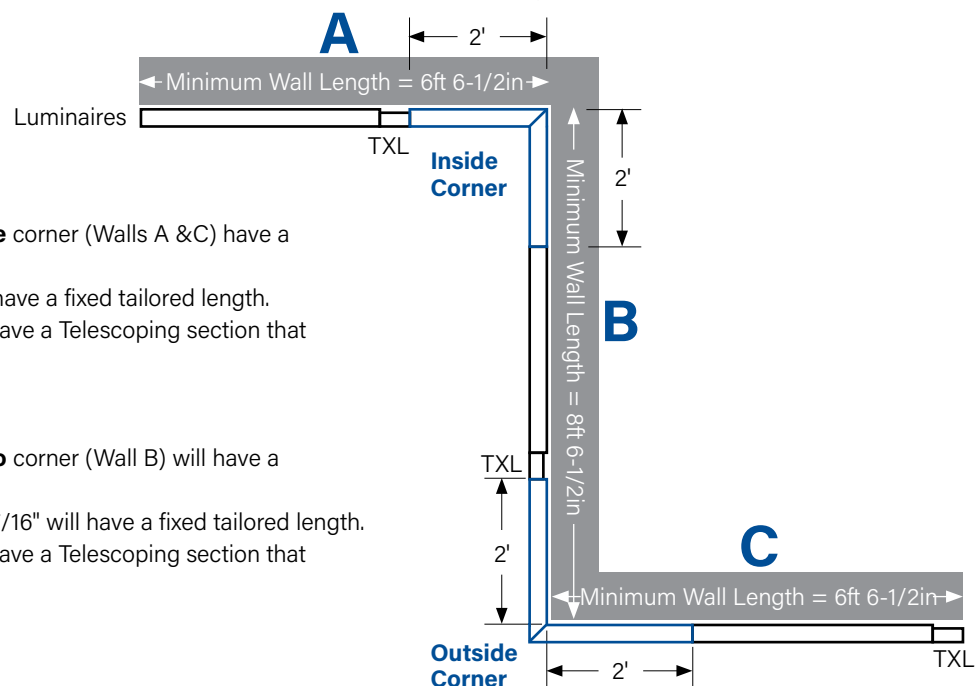
Top feed is standard. Top feed not available on a section with telescoping



End feed options

CONFIGURATIONS WITH PRE-BUILT CORNERS AND TELESCOPING

The example below demonstrates the target minimum wall length requirements for a configuration with pre-built 90 degree corners and telescoping. Consult factory for applications that require shorter than minimum lengths than shown below.



For configurations, wall segments with **One** corner (Walls A & C) have a minimum wall length of 4'

- Wall lengths between 4' to 6' 6-7/16" will have a fixed tailored length.
- Wall lengths of 6' 6-1/2" and greater will have a Telescoping section that provides +/- 5-1/2" of adjustability

For configurations, wall segments with **Two** corner (Wall B) will have a minimum wall length of 6'

- Wall lengths between 6' to 8' 6-7/16" will have a fixed tailored length.
- Wall lengths of 8' 6-1/2" and greater will have a Telescoping section that provides +/- 5-1/2" of adjustability

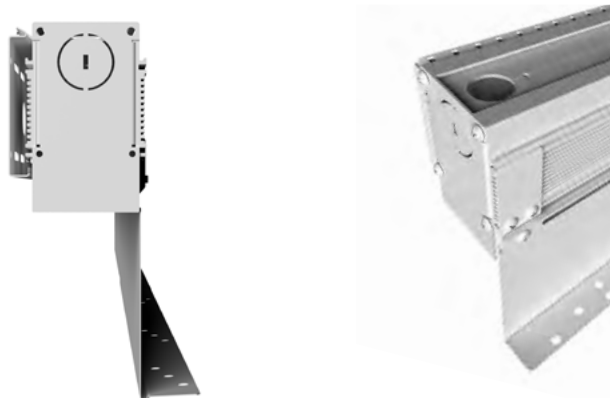
Submitted by:		Date:
Type:	Project:	
Ordering Info:		

High Performance 2" Aperture (HP-2 WS) Perimeter Slot

ENDCAP OPTIONS

Standard Flat (FE-L or FE-R)

Add 1/8" per endcap to the section length. Spackle Flange version shown T-Bar available. Flat end condition for when luminaire terminates at a vertical surface such as a finished wall.

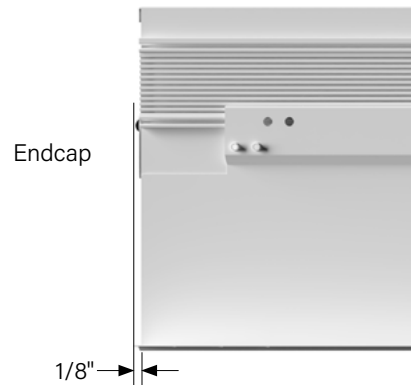


Endcap Information

The **Flat Endcap** adds 1/8" per endcap to the section length.

The **Pocket Slot Endcap** adds 1-1/4" for Spackle Flange and 1" for T-Bar per endcap to the section length.

Example: Overall Luminaire Length = Luminaire Section + Endcap + Endcap
 $11' - 3 - 1/2" = 11' - 3 - 1/4" + 1/8" + 1/8"$

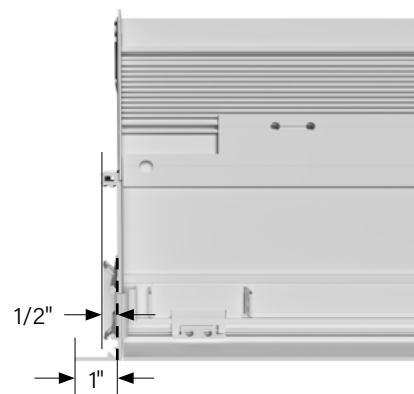


Pocket Slot (PE-L or PE-R)

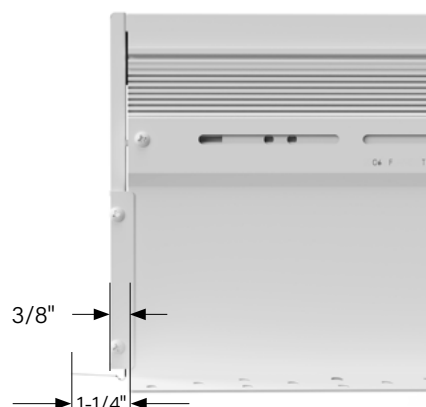
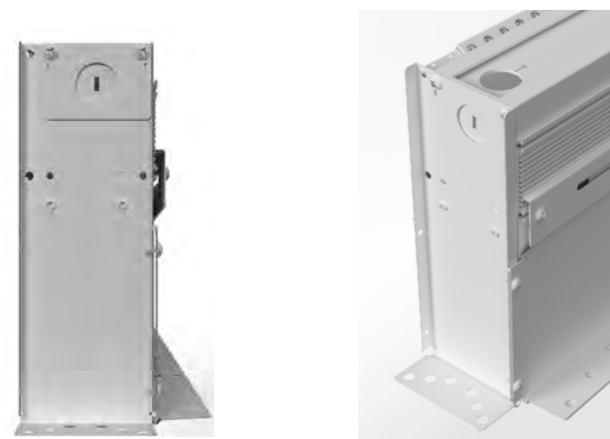
Adds 1-1/4" for Spackle Flange and 1" for T-Bar (includes endcap dimension 1/8") per endcap to the housing length on shop drawings T-Bar version shown, Spackle Flange available.



T-Bar



Spackle Flange



Submitted by:		Date:
Type:	Project:	
Ordering Info:		

High Performance 2" Aperture (HP-2 WS) Perimeter Slot

Recessed Photometry - 4' Luminaire 3500K

HP-2 WS-4D-4'-V-835

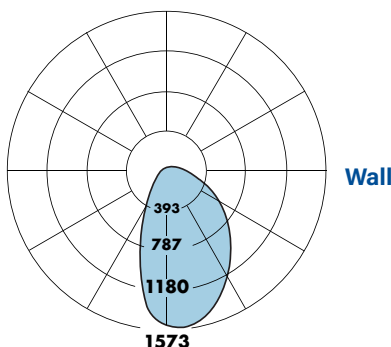
Efficacy: 90 lm/W

Total luminaire output: 3184 lumens (796 lm/ft)
35.4 watts (8.9 W/ft)

Peak Candela Value: 1552 @ 5°

CRI: 80 / CCT: 3500K

ITL LM79 Report 94264



CANDELA DISTRIBUTION						
	0.0	22.5	45	67.5	90	Flux
0	1479	1479	1479	1479	1479	
5	1552	1527	1468	1418	1367	138
15	1547	1527	1396	1011	762	356
25	1407	1409	1255	530	190	458
35	1217	1226	1066	136	0	475
45	1027	1020	854	17	0	456
55	845	816	636	13	0	401
65	668	618	424	8	0	326
75	503	434	221	4	0	233
85	354	273	56	1	0	140
90	289	207	2	0	0	
95	265	181	0	0	0	87
105	198	120	0	0	0	58
115	135	71	0	0	0	34
125	81	34	0	0	0	17
135	39	9	0	0	0	6
145	8	0	0	0	0	1
155	0	0	0	0	0	0
165	0	0	0	0	0	0
175	0	0	0	0	0	0
180	0	0	0	0	0	0

Sample Lumen Adjustment Calculation

Lumen Adjustment Factors 80 CRI

3000K	0.985
3500K	1.000
4000K	1.032

Lumen Adjustment Factors 90 CRI

3000K	0.746
3500K	0.760
4000K	0.789

High Output (H), 4000K, 90 CRI

Lumen Adjustment Factor: 0.789

Total Light Output: 2476 lm x 0.789 = 1954 lm

Total Light Output per Foot: 619 lm/ft x 0.789 = 488 lm/ft.

watts/foot: 6.8 W/ft.

$$\text{Efficacy} = \frac{488 \frac{\text{lm}}{\text{ft.}}}{6.8 \frac{\text{W}}{\text{ft.}}} = 72 \text{ lm/W}$$

Total Light Output, 3500K, 80 CRI (Lumens) - 4' Luminaire

S ¹	B ¹	H ¹	V ²
1303	1639	2476	3184

Light Output, 3500K, 80 CRI (Lumens Per Foot)

S ¹	B ¹	H ¹	V ²
326	410	619	796

Power, 3500K (Watts Per Foot)

S ¹	B ¹	H ¹	V ²
3.5	4.4	6.8	8.9

Efficacy, 3500K, 80 CRI (Lumens Per Watt)

S ¹	B ¹	H ¹	V ²
94	93	91	90

Wattage is Real Power. If you would like additional details to calculate Apparent Power, please contact your local Finelite representative.

S - Standard Output, B - Boosted Standard Output, H - High Output, V - Very High Output

¹ Family Correlation based on 4' luminaire 3500K Very High Output (V) test - 120V.

² Based on ITL report: 94264

Submitted by:		Date:
Type:	Project:	
Ordering Info:		

0-10V Tunable White

Finelite's award-winning, contractor friendly Tunable White luminaires are available at low cost, with powerful and simple 0-10V tuning and intensity controls.

TUNABLE WHITE FEATURES

- CCT range: 2700K - 6500K
- Dimming Range: 100% to 10%
- CRI Options: 80 CRI or 90 CRI

LUMINAIRE FAMILY MODIFICATIONS/RESTRICTIONS

Direct	Section Lengths											
	2'	3'	4'	5'	6'	7'	8'	9'	10'	11'	12'	
Output S,B,H,V Single Circuit	Rows can be comprised of 2'-12' sections. Tailored lengths available.											
Integral Battery Backup (BSL310LP)							✓		✓		✓	

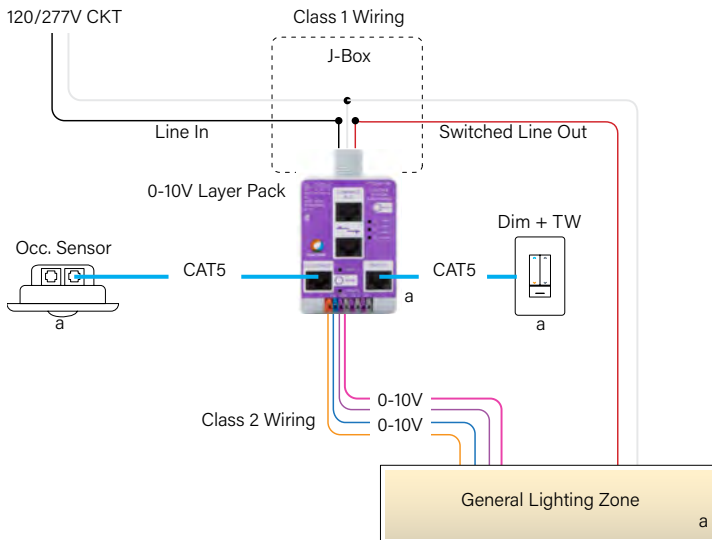
PHOTOMETRY

Apply a power adjustment factor to calculate wattage usage

POWER	CONVERSION FACTOR
	1.1X

(Example: a 50 watt luminaire in static white would draw 55 watts using 0-10V Tunable White)

WIRING DIAGRAM - DIMMABLE TO 10%



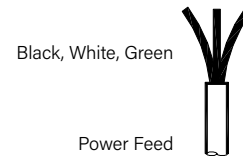
Luminaire Wiring

- **Purple (+) / Pink (-)** control wires are for intensity control
- **Orange (+) / Blue (-)** control wires are for Tunable White control

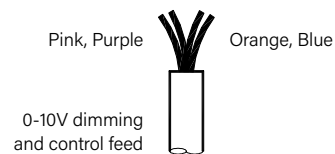
Note:

Load or Dim to Off options available.

DUAL FEED DETAIL



WIRING LEGEND		
Black	Hot	Line Voltage
White	Neutral	Line Voltage
Green	Ground	



WIRING LEGEND		
Pink	Dimming	0-10V DC
Purple	Dimming	0-10V DC
Orange	TW	0-10V DC
Blue	TW	0-10V DC

