

# HP-2 & HP-4 Circle Surface Mount 2', 3', & 4' Installation Instructions

## Overview

### NOTES

- All power connections should be installed according to local/national codes by a Certified Electrician.
- This installation requires **proper support** as each luminaire is being installed.
- **DO NOT attempt to install with single operator.**



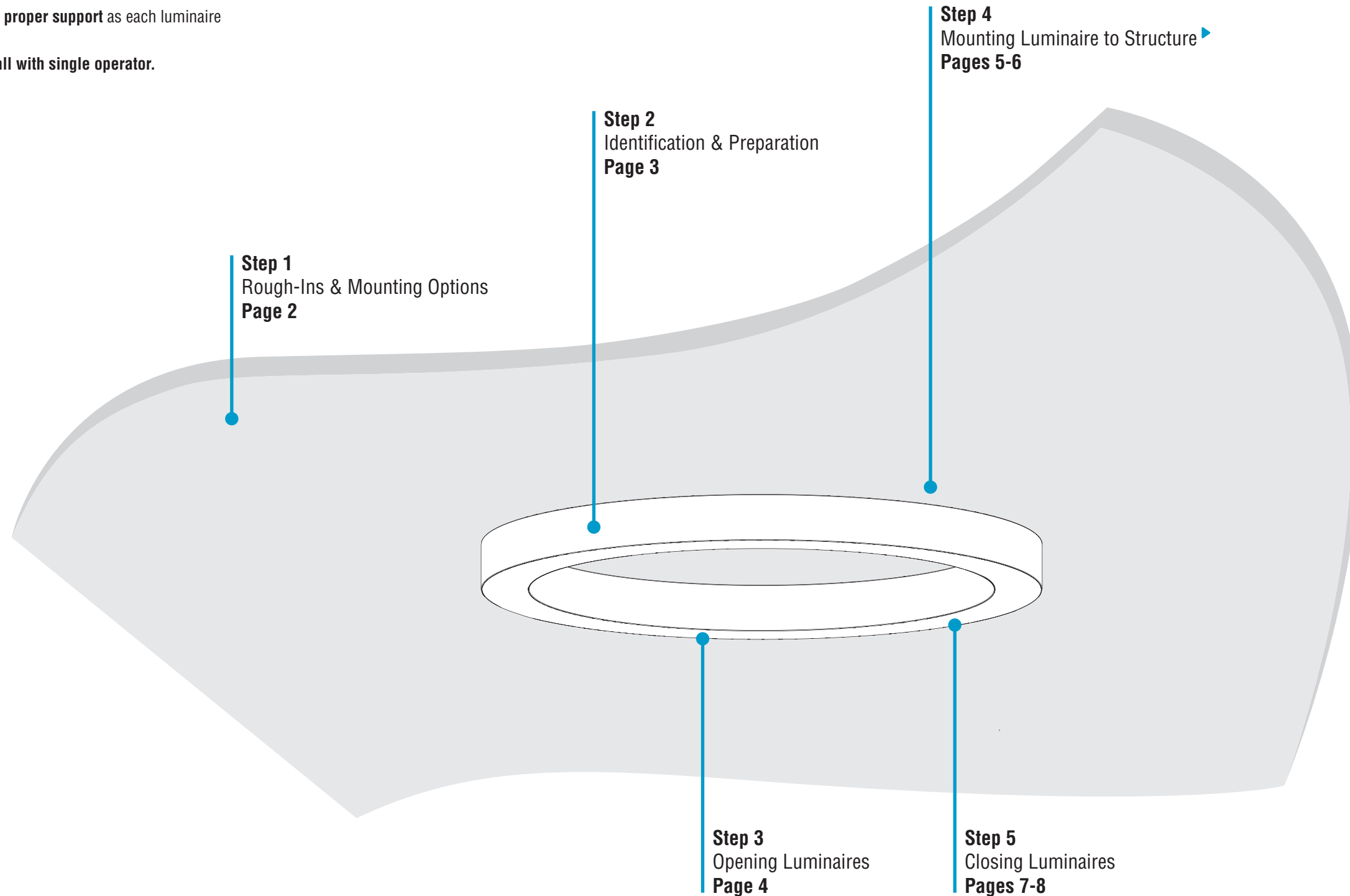
HELPFUL  
VIDEO



0-10V  
Dimming



Circle  
Diffuser  
Installation



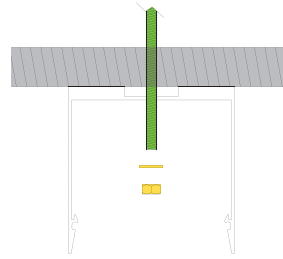
# HP-2 & HP-4 Circle Surface Mount 2', 3', & 4' Installation Instructions

## Step 1 - Rough-Ins & Mounting Options

### Mounting Locations & Mounting Options

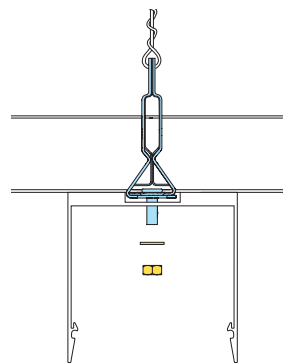
#### Option 1 - Mount to Threaded Rod

- Install threaded rods to structure.
- Threaded rod must exceed distance to ceiling surface by 1-1/2".
- Install flex conduit at feed location.



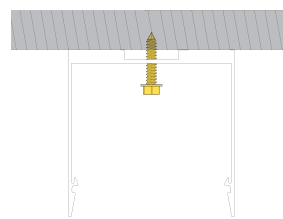
#### Option 2 - Mount to T-Bar

- Install caddy clips onto T-Bar at mounting point locations.
- All caddy clips are to be secured to structure, per local building codes.



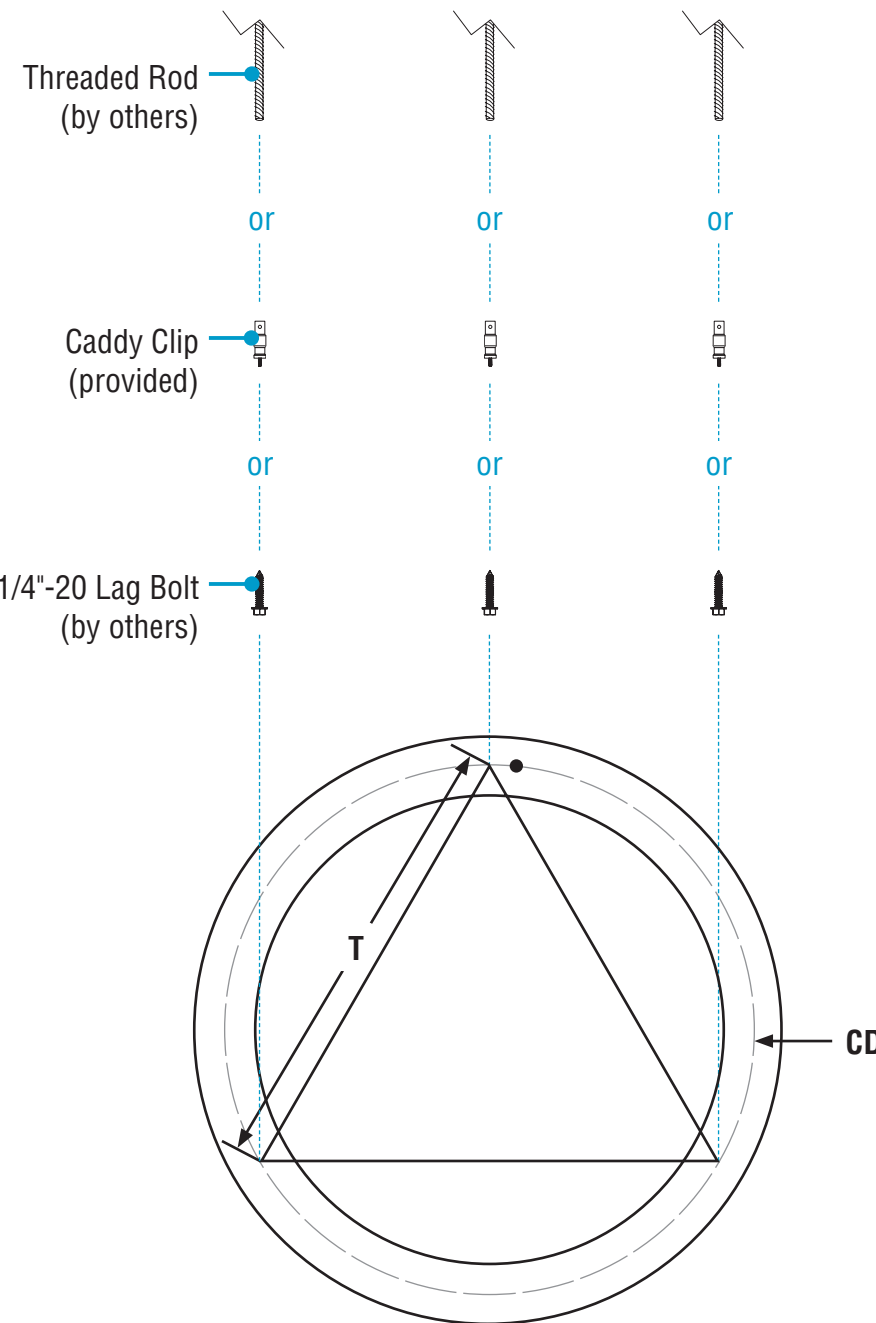
#### Option 3 - Mount to Support Structure

- Support blocking must not exceed distance to ceiling surface.
- Install flex conduit at feed location.

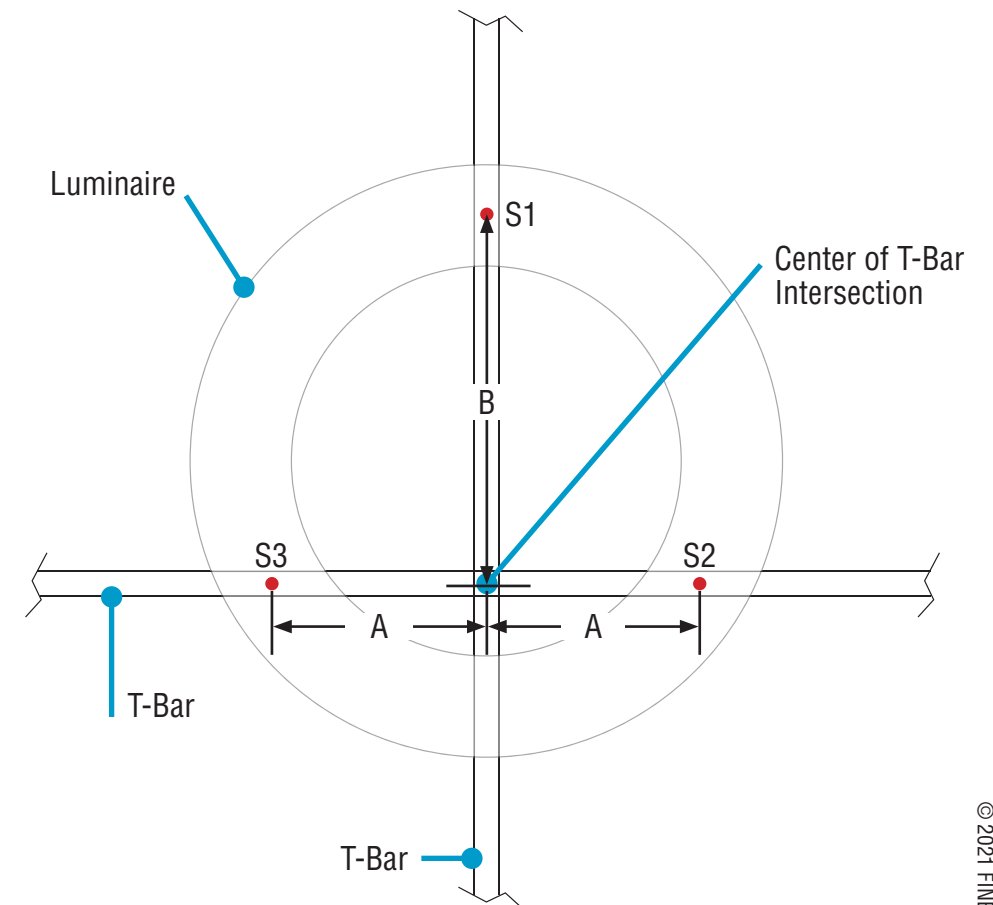


● = Feed Location

Mounting Location	Label	HP-2 & HP-4 Nominal Circle Diameter (ft)		
		2	3	4
Equal Triangle Location	T	17-5/16"	27-11/16"	38-1/8"
Reference Center Diameter	CD	20"	32"	44"



### On-Grid Suspension Points Bottom-Up View



● = Suspension Point

On-Grid Suspension Location	Label	HP-2 & HP-4 Nominal Circle Diameter (ft)		
		2	3	4
Suspension Point 1 (S1) Distance	B	15"	24"	33"
Suspension Point 2 & 3 (S2, S3) Distance	A	8-11/16"	13-7/8"	19-1/16"

Measure from Center of T-Bar Intersection to Suspension Points

**Mounting Option 1**

- Threaded Rod (by others)
- 1/4" Washer (by others)
- 1/4"-20 Nut (by others)

**Mounting Option 2**

- Caddy Clip (provided)
- 1/4" Washer (by others)
- 1/4"-20 Nut (by others)

**Mounting Option 3**

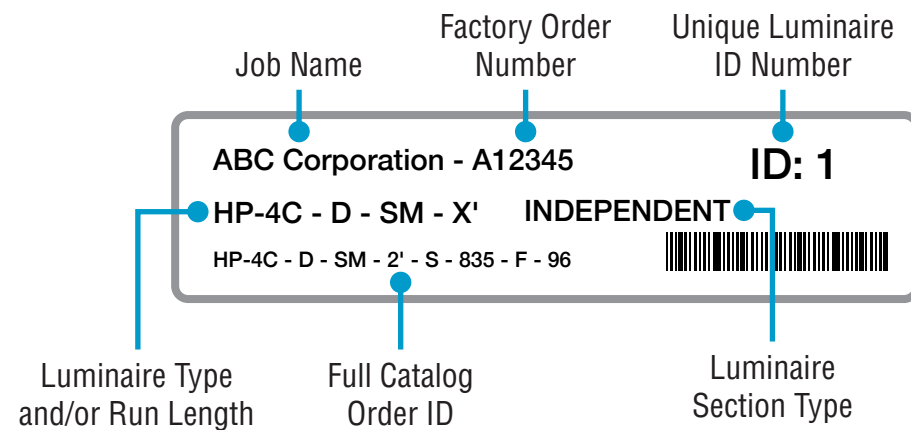
- 1/4"-20 Lag Bolt (by others)

- Flex Conduit (by others)

# HP-2 & HP-4 Circle Surface Mount 2', 3', & 4' Installation Instructions

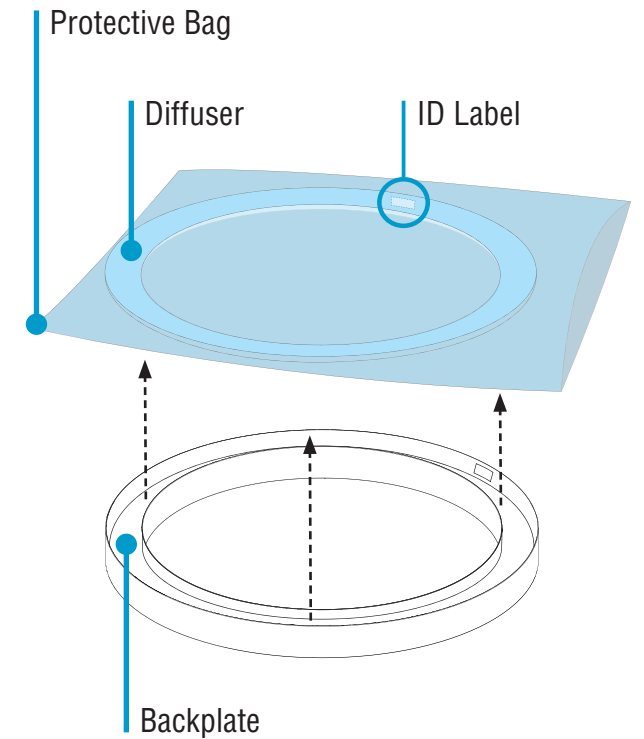
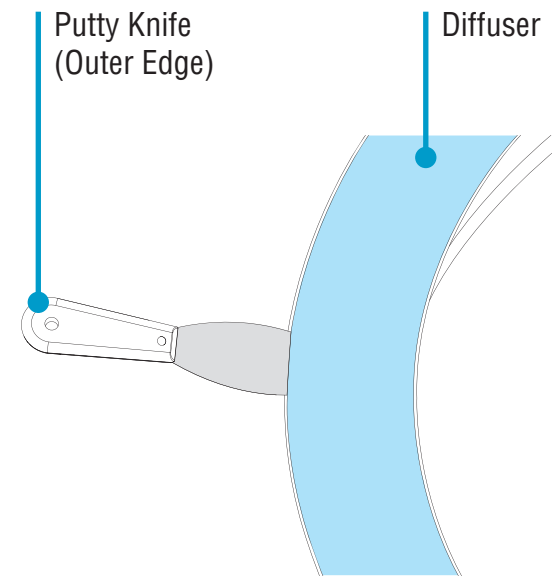
## Step 2 - Identification & Preparation

### A. Identify Luminaires



- Identify all luminaires by their ID label that can be found on the box, the diffuser, and inside the luminaire.
- **NOTE:** Exact location of labels in these areas may vary.
- Remove all luminaires from their box.
- Refer to Record Drawings that can be found in the hardware kit.

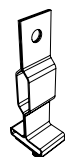
### B. Remove Diffuser Top-Down View



- **NOTE:** Maximum width of putty knife is 2 inches.
- **1.** To release diffuser, carefully slide putty knife between outer edge of diffuser and luminaire.
- **2.** Then, directly across from you carefully slide putty knife between inner edge of diffuser and luminaire.
- **3.** Work your way around outer edge of diffuser to fully release it from luminaire.
- Keep diffuser inside protective bag.
- Set aside diffuser to prevent it from getting dirty or damaged.
- Ensure diffuser can be clearly identified back to corresponding luminaire.

### Kitted Hardware

- Finelite has provided items listed here, with their Finelite part numbers. These items can be found in separate boxes shipped with the luminaire.
- Account for all parts and set aside until they are needed.
- All other hardware needed for this installation will be by others.



**Caddy Clip**  
C1 Ceiling - Part# 94001  
C2 Ceiling - Part# 94020  
C3 Ceiling - Part# 94029  
Rough-Ins & Mounting Options  
p. 2, Step 1  
Mounting Luminaire to Structure  
p. 6, Step 4



**#8-18 x 1/4" Screw**  
Part# 69026  
Mounting Luminaire to Structure  
p. 5, Step 4



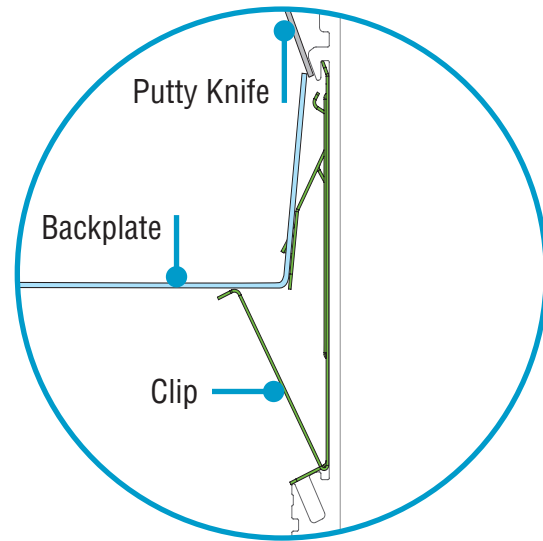
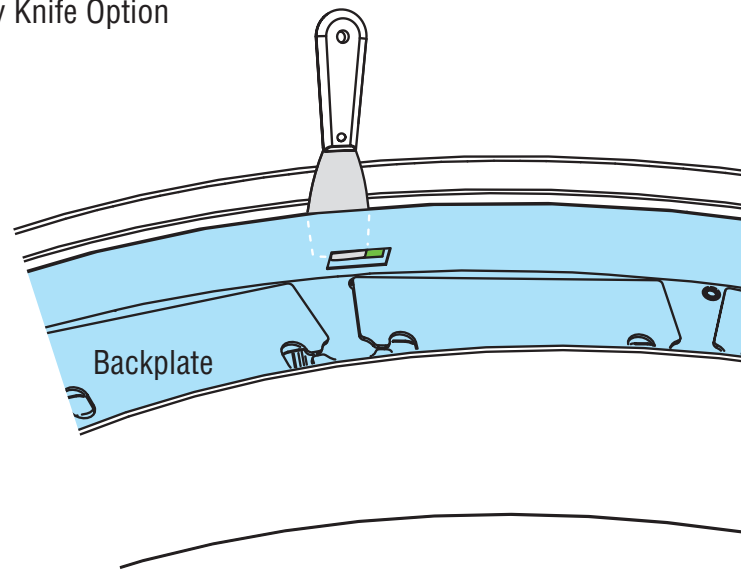
Circle  
Diffuser  
Installation

# HP-2 & HP-4 Circle Surface Mount 2', 3', & 4' Installation Instructions

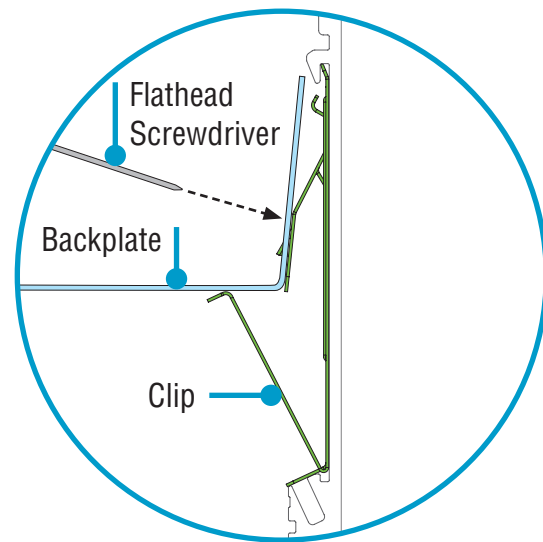
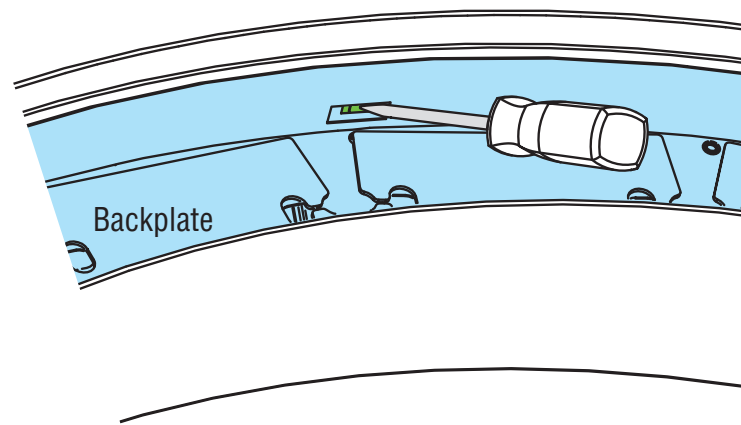
## Step 3 - Opening Luminaires

### Release Backplates Top-Down View

Putty Knife Option

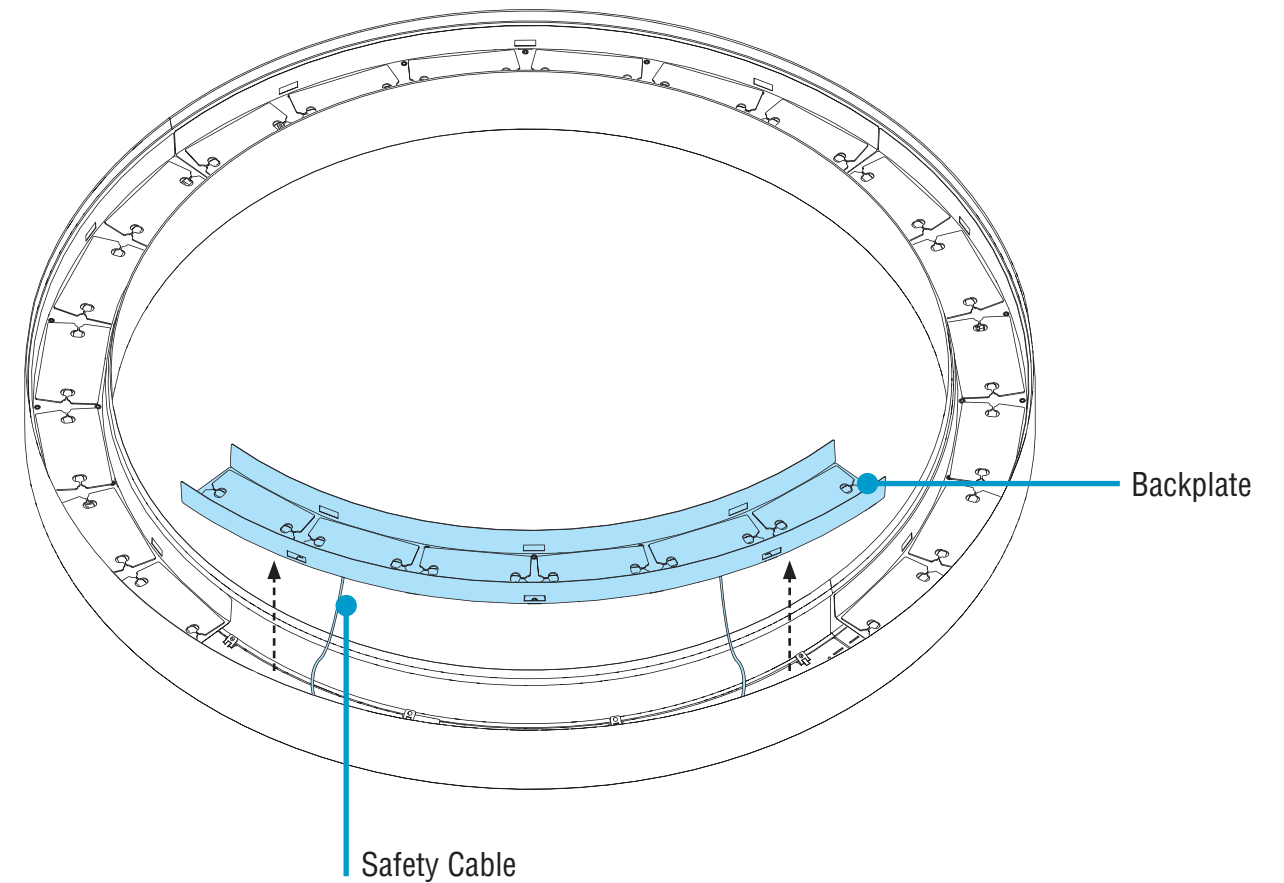


Flathead Screwdriver Option



- Open all backplates for access to mounting points.
- Release the backplates from clips by sliding the blade of a putty knife behind backplate edges.
- To use a flathead screwdriver: From inside backplate, press end of screwdriver against the clip until the backplate is released.

### Top-Down View

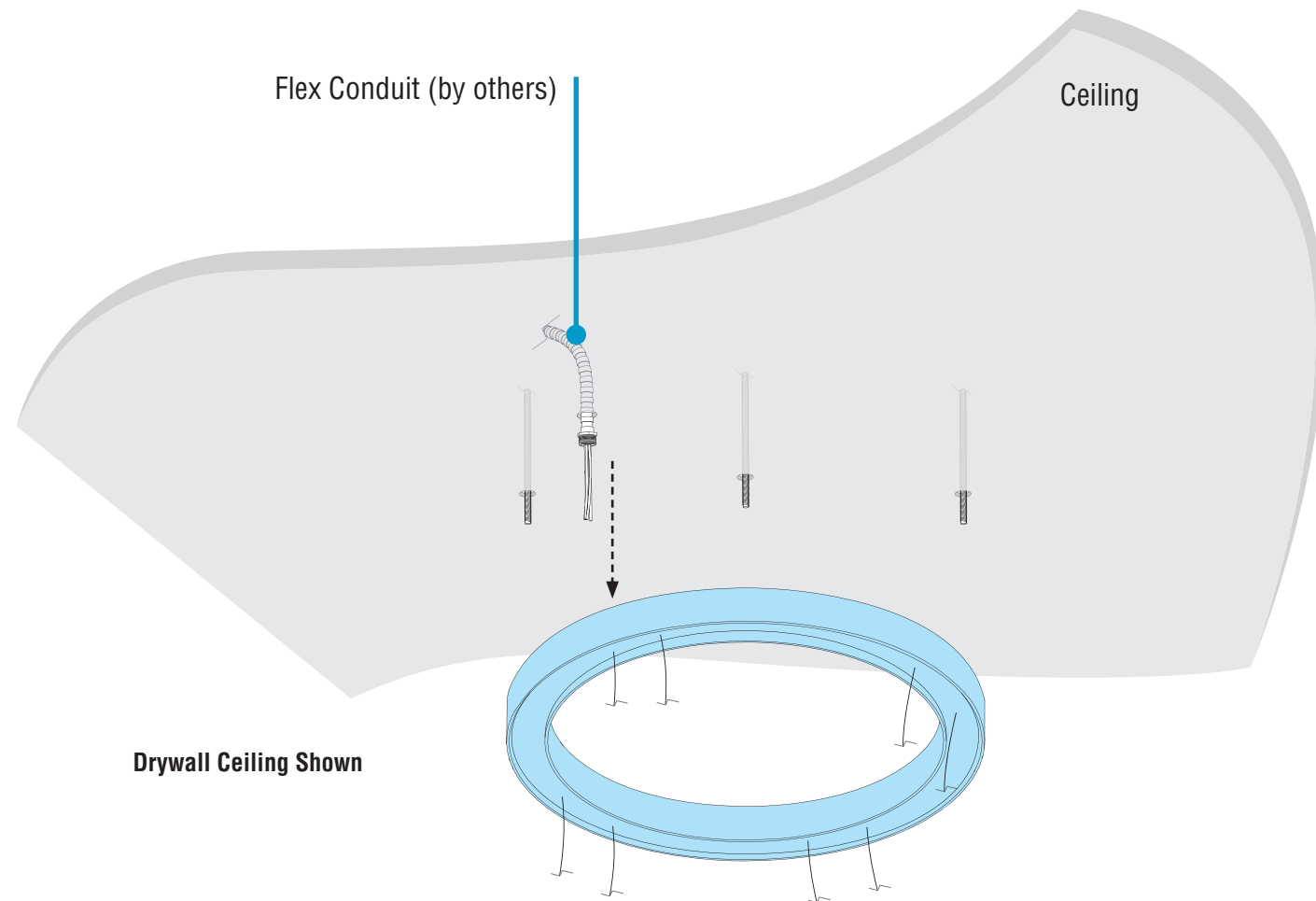


- **CAUTION:** Be careful when removing backplates. They may be connected by wiring harnesses.
- Carefully remove backplates.
- Keep backplates hanging with safety cables connected.

# HP-2 & HP-4 Circle Surface Mount 2', 3', & 4' Installation Instructions

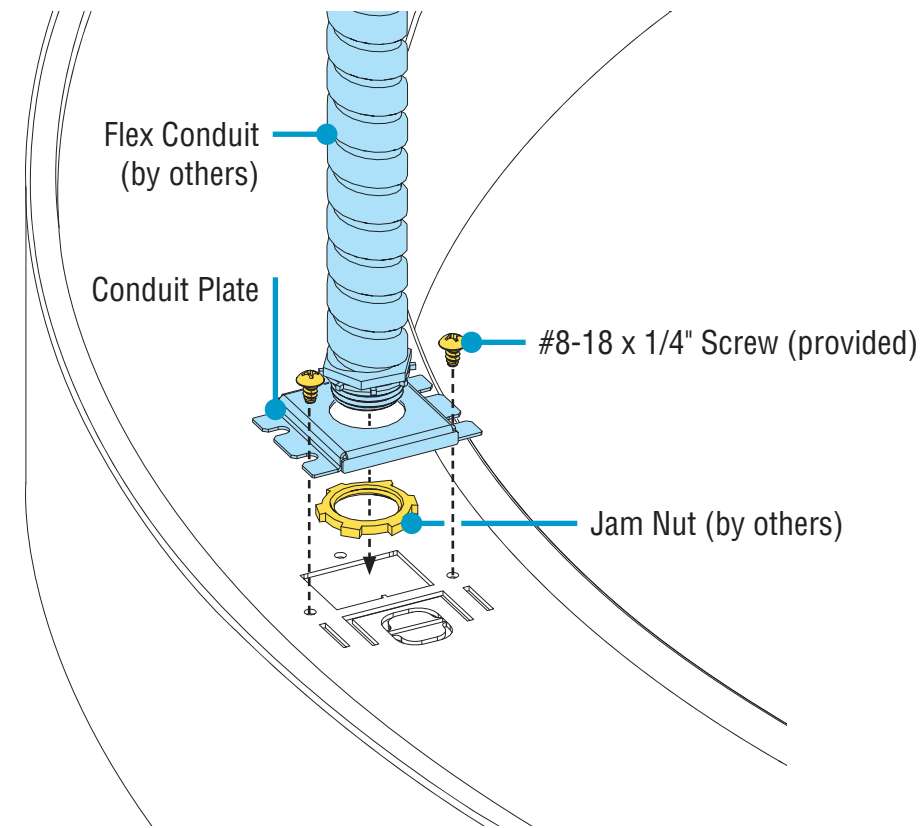
## Step 4 - Mounting Luminaire to Structure

**A. Make Electrical Connections** Bottom-Up View



- While properly supporting luminaire, maneuver luminaire near ceiling opening.
- **NOTE:** Backplates are connected to safety cables.

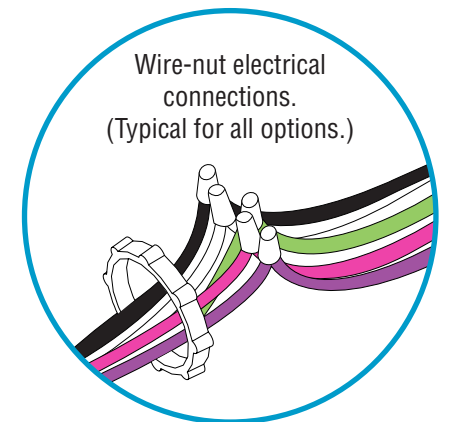
Top-Down View



- Remove two #8-18 x 1/4" screws to release conduit plate.
- Install flex conduit and jam nut onto conduit plate.
- Wire-nut electrical connections. See wiring legend.
- Reinstall conduit plate and two #8-18 x 1/4" screws.

**WIRING LEGEND**

Black	Hot	Line Voltage
White	Neutral	Line Voltage
Green	Ground	
Pink	Dimming	0-10V DC
Purple	Dimming	0-10V DC



 Flex Conduit  
(by others)

 #8-18 x 1/4" Screws  
(provided)

 Jam Nut  
(by others)

CONTINUED

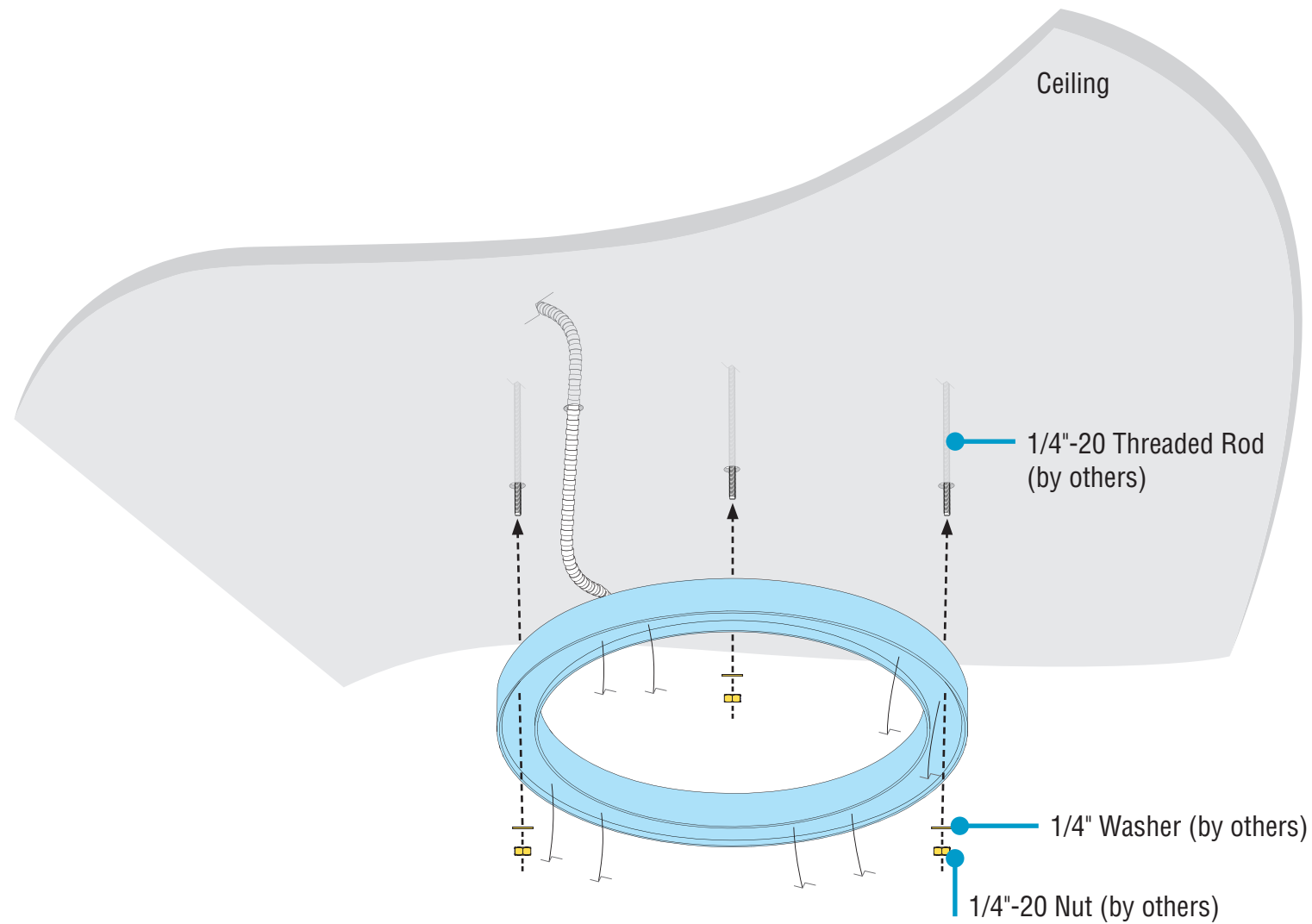


0-10V  
Dimming

# HP-2 & HP-4 Circle Surface Mount 2', 3', & 4' Installation Instructions

## Step 4 - Mounting Luminaire to Structure

**B. Mount Luminaire to Structure** Bottom-Up View



**Option 1 (Shown) - Mount to Threaded Rod**

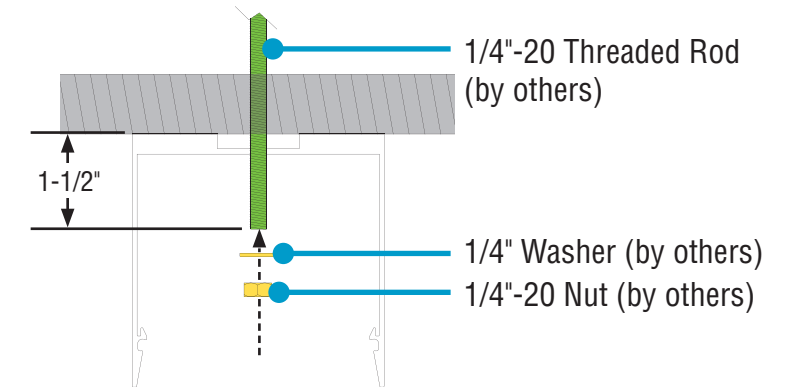
**Option 2 - Mount to T-Bar**

- Align mounting holes with hanging hardware.
- Install 1/4"-20 nut and 1/4" washer onto 1/4"-20 threaded rod.

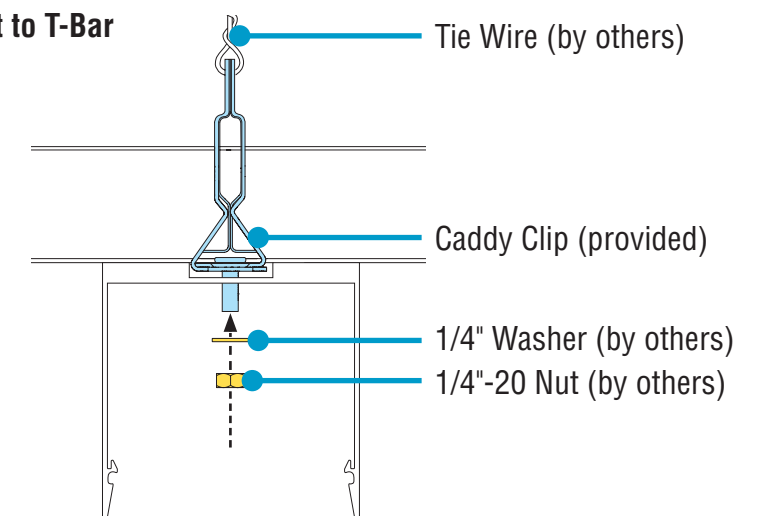
**Option 3 - Mount to Structure**

- Place luminaire onto ceiling and mount to structural support with hardware appropriate for the structure type.

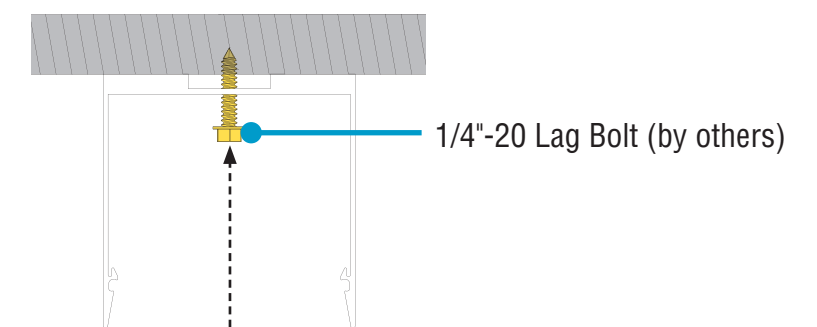
**Option 1 (Shown) - Mount to Threaded Rod**



**Option 2 - Mount to T-Bar**



**Option 3 - Mount to Structure**



**Mounting Option 1**

- Threaded Rod (by others)
- 1/4" Washer (by others)
- 1/4"-20 Nut (by others)

**Mounting Option 2**

- Caddy Clip (provided)
- 1/4" Washer (by others)
- 1/4"-20 Nut (by others)

**Mounting Option 3**

- 1/4"-20 Lag Bolt (by others)

# HP-2 & HP-4 Circle Surface Mount 2', 3', & 4' Installation Instructions

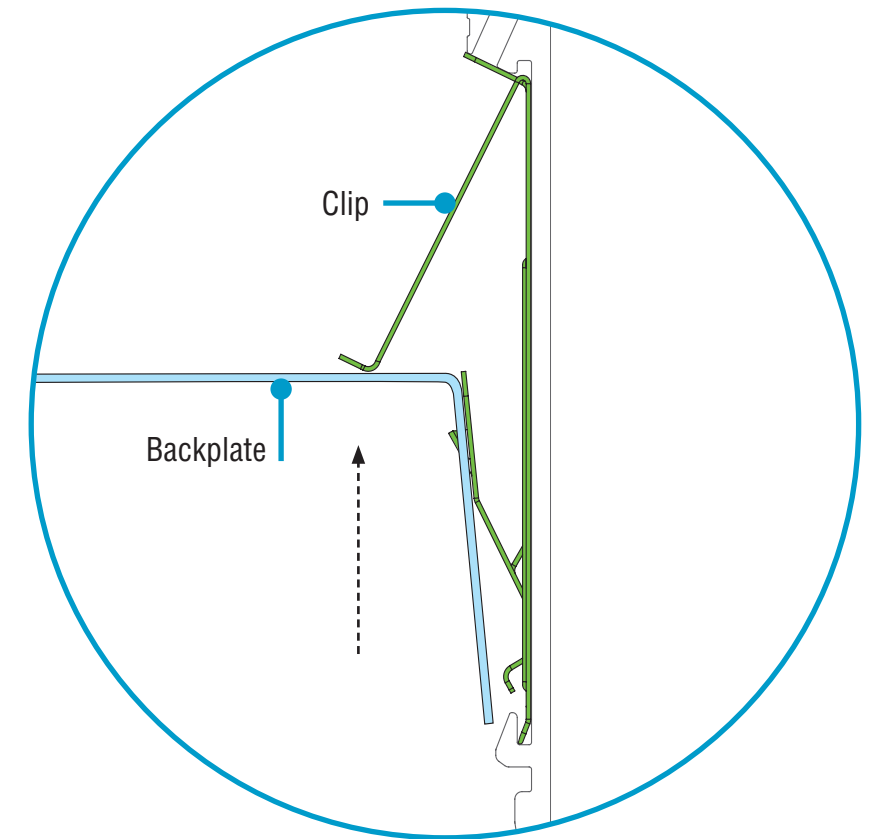
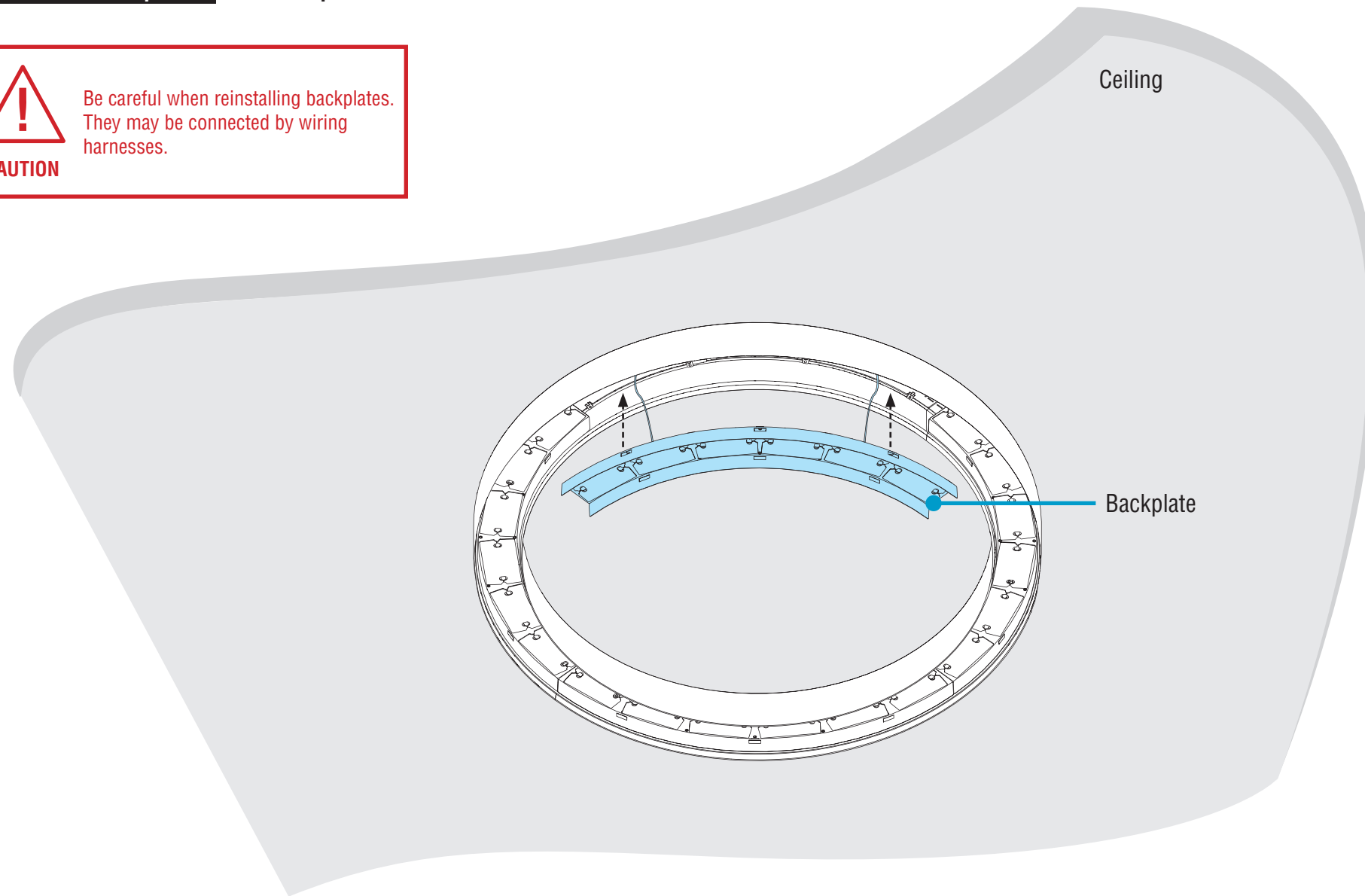
## Step 5 - Closing Luminaires

### A. Reinstall Backplates Bottom-Up View



**CAUTION**

Be careful when reinstalling backplates. They may be connected by wiring harnesses.



- **CAUTION:** Be careful when reinstalling backplates. They may be connected by wiring harnesses.
- After mounting to structure, reinstall backplates by snapping into clips and pushing them back into their original position.

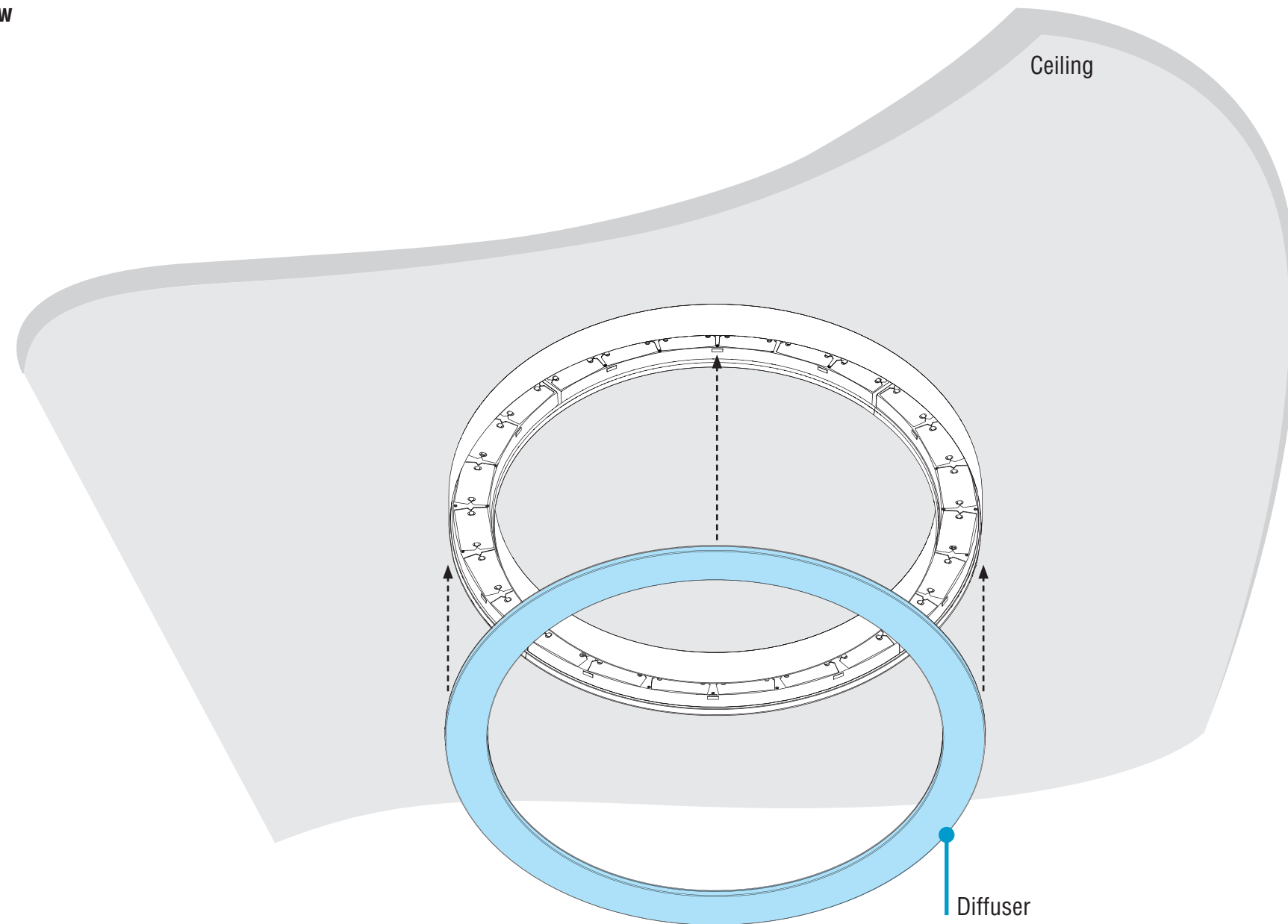
CONTINUED



# HP-2 & HP-4 Circle Surface Mount 2', 3', & 4' Installation Instructions

## Step 5 - Closing Luminaires

**B. Final Step - Replace Diffuser** Bottom-Up View



- Carefully remove diffuser from protective plastic bag.
- **CAUTION:** Wear gloves to keep diffuser surface clean.
- **CRITICAL:** Be sure to install correct diffuser to its corresponding luminaire ID.
- Install diffuser into luminaire body, ensuring it snaps into place.
- **NOTE:** Push area of diffuser closest to you first until it snaps in place. Then work your way around the luminaire.
- Turn power on to luminaire.



Circle  
Diffuser  
Installation