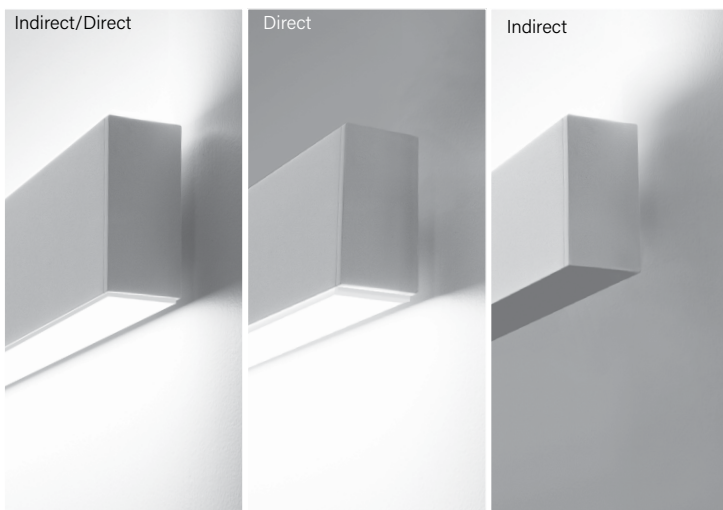


| | | |
|----------------|----------|-------|
| Submitted by: | | Date: |
| Type: | Project: | |
| Ordering Info: | | |

High Performance 2" Aperture (HP-2) Wall Mount



Indigo-Clean Technology is a Continuous Environmental Disinfection System that emits a narrow spectrum light that kills bacteria, Influenza-A¹, and SARS-CoV-2 – the virus that causes COVID-19¹ – and is proven effective by recently conducted independent lab testing. Unlike UV disinfection, Indigo-Clean Technology is designed to safely and continuously disinfect a space while it is fully occupied.

Single-Mode Indigo-Clean Technology utilizes a combination of blended white LEDs and 405nm LEDs on a single circuit board design. When the luminaires are on, the disinfection is active.

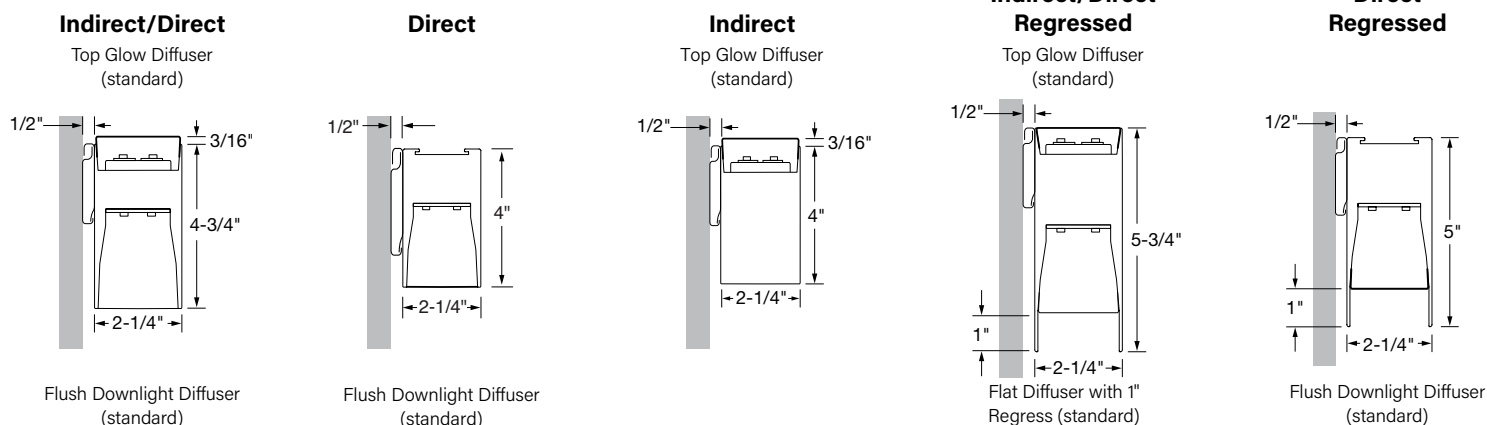
Dual-Mode Indigo-Clean Technology utilizes a mid-power of blended white LEDs and 405nm LEDs on a two circuit board design and full 405nm indigo light using automated controls to disinfect the space. When the space is unoccupied, it utilizes just the 405nm LEDs with increased output to increase disinfection efficacy.

These products are enrolled in the International Living Future Institute (ILFI). Declare 2.0 Program and is third-party verified with options achieving **Red List Approved** and **Red List Declared** status.

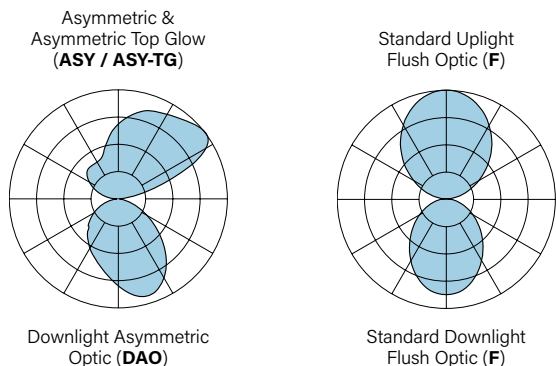
Signal White is standard finish

Note: see page 6 for all aesthetic options

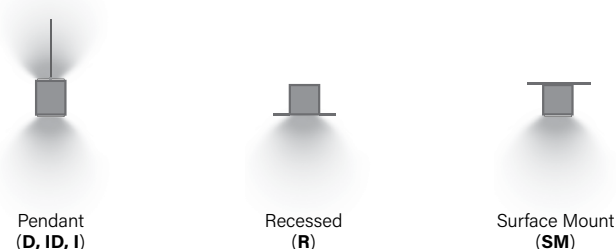
CROSS SECTIONS



OPTIC OPTIONS



ALSO AVAILABLE IN



Indigo-Clean is a registered trademark of Kenall Manufacturing Co., a Legrand Company

¹ Indigo-Clean Research Reports

Protected by one or more US Patents: 8915613; D702,391; D702,390; D700,732

| | | |
|----------------|----------|-------|
| Submitted by: | | Date: |
| Type: | Project: | |
| Ordering Info: | | |

High Performance 2" Aperture (HP-2) Wall Mount

BODY TYPE

OUTPUT AND LED TYPE

| Platform | Series Name | Luminaire Type | Luminaire Distribution | Total Length of Run | Uplight Output ID & I Only (Flush) | Downlight Output ID & D Only (Flush) |
|-----------------------|-------------|--|--|---|---|---|
| HP - High Performance | 2 | WM - Wall Mount WM RG - Wall Mount Regressed ¹ | D - Direct ID - Indirect/Direct I - Indirect | Minimum 3' section length. Increments accurate to 1/16" (±1/32"), standard. 12' maximum section length. | H - High (770 lm/ft) V - Very High (925 lm/ft) TL - Tailored: _____lm/ft* | H - High (593 lm/ft) V - Very High (770 lm/ft) TL - Tailored: _____lm/ft* |

* Specify lm/ft of outputs between Standard (S) and Very High (V). Consult factory for tailored lumen output outside of this range.

OUTPUT AND LED TYPE

MECHANICAL/OPTICAL OPTIONS

| LED CRI/CCT | Uplight | Downlight | Reflector System |
|--|---|---|----------------------------------|
| 832-SMIC - 80 CRI, 3200K Single Mode Indigo-Clean 837-SMIC - 80 CRI, 3700K Single Mode Indigo-Clean 843-SMIC - 80 CRI, 4300K Single Mode Indigo-Clean 832-DMIC - 80 CRI, 3200K Dual Mode Indigo-Clean 837-DMIC - 80 CRI, 3700K Dual Mode Indigo-Clean 843-DMIC - 80 CRI, 4300K Dual Mode Indigo-Clean | TG - Top Glow (standard) F - Flush ASY-L - Asymmetric Left Optic ASY-R - Asymmetric Right Optic ASYTG-L - Asymmetric Left Optic with Top Glow ASYTG-R - Asymmetric Right Optic with Top Glow | F - Flush (standard) BG - Bottom Glow DL - 1" Drop Down Lens ¹ RG-D - Flat Diffuser with 1" Regress ¹ RG-WCB - White Cross Blade Baffle ¹ RG-LHE - Hollowed Ellipse Louver ¹ RG-LHC - Hex Louver ¹ DAO-L - Downlight Asymmetric Optic Left ² DAO-R - Downlight Asymmetric Optic Right ² | 96LG - 96 Low Gloss White |

ELECTRICAL OPTIONS

MOUNTING OPTIONS

| Voltage | Circuiting ³ | Driver Selection | Mounting Method | |
|--|---|---|---|---|
| 120 - 120 Voltage 277 - 277 Voltage 347 - 347 Voltage | SC - Single Circuit* One single circuit in a run DC - Dual Circuit* ⁴ Independent control of up and down separately in an I/D style fixture MC - Multi-Circuit* More than one switch leg or zone. Factory shop drawings required * Battery, Night Light, and Emergency to Generator circuits are in addition to the normal luminaire circuit(s) | 0-10V Driver Options FC-10% - 0-10V 10% (standard) FC-1% - 0-10V 1% OTI-10% - EldoLED OTI, 0-10V 10% ⁵ OTI-1% - EldoLED OTI, 0-10V 1% ⁵ ELD-10V-0% - EldoLED SOLOdrive, 0-10V 0.1% DALI Driver Options FC-DALI-1% - DALI 1% DXL-DALI-1% - EldoLED Dexal, 1% ELD-DALI-0% - EldoLED SOLOdrive, 0.1% See Page 3 for additional driver options and detail | DMX Driver Options ELD-DMX - EldoLED POWERdrive, 0.1% Lutron Driver Options LUT-ES1 - Lutron, Ecosystem 1% | MB - Mounting Bracket ⁶ |

OTHER OPTIONS

| Endcap Style | Finish | Emergency Style (Optional) <small>See page 5 Backup Battery table</small> |
|---|--|---|
| FE - Flat Endcap (standard) DE - 1" Drop Endcap ⁷ OE - Open Endcap ⁸ | SW - Signal White (standard) FB - Finelite Black SA - Satin Aluminum #### - RAL Color Code ⁹ _____ | LGD18W - Legrand 18W Brand Battery Back-up LDG10W - Legrand 10W Brand Battery Back-up EM/GEN - Emergency to Generator NL - Night Light BSL310LP - Bodine Battery Back up Low Profile GTD - Generator Transfer Device ALCR - Automatic Load Control Relay |

OTHER OPTIONS

| Integrated Sensor (Optional) ¹⁰ | Special Options (Optional) |
|---|---|
| OBO - Occupancy (Not available for Indirect) OBD - Daylight W601 - Wattstopper Wireless Sensor ¹¹ OBE - Enlighted ¹² REE - Remote Enlighted ¹³ CLM - Encellium Sensor RE7 - nLight Air Sensor | AOCC-W - Lutron Athena Sensor (Device Color White) ¹⁴ AOCC-B - Lutron Athena Sensor (Device Color Black) ¹⁴ ARF-W - Lutron Athena RF (Device Color White) ¹⁴ ARF-B - Lutron Athena RF (Device Color Black) ¹⁴ VOCC - Lutron Vive Sensor ¹⁵ VRF - Lutron Vive RF ¹⁵ RLA - Red List Approved RLD - Red List Declared |

¹ Regressed only

² Not available for Regressed

³ Contact factory for switching options

⁴ Indirect/Direct only

⁵ Add DTO to gain "Dim to Off" functionality (FC-10% - DTO, FC-1% - DTO). Not available with Dual-Mode.

⁶ Wall Mount only

⁷ 1" Drop Down Lens downlight only

⁸ Available with Hollowed Ellipse Louver (LHE) only

⁹ 20 business days lead time for color

¹⁰ Minimum fixture length: Direct and Indirect with a sensor is 3ft. Indirect/Direct with a sensor is 4ft.

¹¹ LMFS-601 w/ 0-10V driver(s) and LMFI-111, up to 6 drivers may be connected.

¹² LMFS-601 w/ Dali driver, only 1 driver can be connected.

¹³ Enlighted components installed by Finelite, provided by others

¹⁴ Enlighted Control Unit & Sensor Cable installed for Remote mounting sensor

¹⁵ 0-10V Drivers - **AOCC** up to 10 drivers may be connected; **ARF** up to 40 drivers may be connected

DALI Drivers - **AOCC** & **ARF** up to 4 drivers can be connected.

¹⁶ Lutron Vive Ingraded Sensors require a DALI driver. Not available for Indirect.

| | | |
|----------------|----------|-------|
| Submitted by: | | Date: |
| Type: | Project: | |
| Ordering Info: | | |

High Performance 2" Aperture (HP-2) Wall Mount

SUPPLEMENTARY DRIVER PAGE

0-10V Driver Options

| | |
|--------------------|--|
| FC-10% | Factory Choice, 0-10V 10% Dimming (Linear) |
| FC-10%-DTO | Factory Choice, 0-10V 10% Dimming, Dim-to-Off (Linear) |
| FC-1% | Factory Choice, 0-10V 1% Dimming (Linear) |
| FC-1%-DTO | Factory Choice, 0-10V 1% Dimming, Dim-to-Off (Linear) |
| ELD-10V-0% | EldoLED SOLOdrive, 0-10V 0.1% Dimming (Linear) |
| ELD-10V-1% | EldoLED ECOdrive, 0-10V 1% Dimming (Linear) |
| OTi-10% | EldoLED OTi, 0-10V 10% Dimming (Linear) |
| OTi-10%-DTO | EldoLED OTi, 0-10V 10% Dimming, Dim-to-Off (Linear) |
| OTi-1% | EldoLED OTi, 0-10V 1% Dimming (Linear) |
| OTi-1%-DTO | EldoLED OTi, 0-10V 1% Dimming, Dim-to-Off (Linear) |

DALI Driver Options

| | |
|--------------------|--|
| FC-DALI-1% | Factory Choice, DALI 1% Dimming (Logarithmic) |
| DXL-DALI-1% | EldoLED Dexal, DALI 1% Dimming (Logarithmic) |
| ELD-DALI-0% | EldoLED SOLOdrive, DALI 0.1% Dimming (Logarithmic) |
| ELD-DALI-1% | EldoLED ECOdrive, DALI 1% Dimming (Logarithmic) |

DMX Driver Options

| | |
|-------------------|---|
| ELD-DMX | EldoLED POWERdrive, DMX 0.1% Dimming (8 Bit, 1CH) (Linear) |
| ELD-DMX-16 | EldoLED POWERdrive, DMX 0.1% Dimming (16 Bit, 2CH) (Linear) |

Lutron Driver Options

| | |
|----------------|------------------------------|
| LUT-ES1 | Lutron, Ecosystem 1% Dimming |
|----------------|------------------------------|

| | | |
|----------------|----------|-------|
| Submitted by: | | Date: |
| Type: | Project: | |
| Ordering Info: | | |

High Performance 2" Aperture (HP-2) Wall Mount

SPECIFICATIONS

BODY TYPE

CONSTRUCTION: Precision-cut 6061-T6 extruded aluminum body. Internal joiner system and plug-together wiring are standard.

LENGTHS: Any length, 3' minimum, in increments down to 1/16th" ($\pm 1/32"$), 12' maximum section length. Hollowed Ellipse Louver (**LHE**), Hex Louver (**LHC**), and White Cross Blade Baffle (**WCB**) are available in 1' increments.

MITERED CORNERS: Illuminated corners of greater than 60° and less than 180° in a single plane, available with Flush Diffuser, Bottom Glow Diffuser, 1" Drop Down Lens¹, Regressed Diffuser, or White Cross Blade Baffle², Hollowed Ellipse Louver (**LHE**) or Hex Louver (**LHC**). Contact factory for Double miters using the White Cross Blade Baffle. Consult factory for tailored lighting options.

OUTPUT AND LED TYPE

LIGHT OUTPUT: Two lumen packages available, High (**H**), and Very High (**V**). Minimum lengths 3' and greater, the uplight and downlight can be specified with different lumen packages and dual controls. For Tailored Outputs outside of range from High (**H**) to Very High (**V**), consult factory. Light engines are replaceable.

INDIGO-CLEAN TECHNOLOGY: Indigo-Clean Technology utilizes a combination of blended white LEDs, and safe 405nm LEDs to continually disinfect a space and kill bacteria, Influenza-A³, and SARS-CoV-2 – the virus that causes COVID-19³. Unlike UV disinfection, Indigo-Clean Technology is designed to safely and continuously disinfect a space while it is fully occupied. When the Indigo-Clean Technology light is on, disinfection is active. For optimum performance, continuously provide an average of 50-60 footcandles on the work plane and high touch surfaces (24/7). Dimming generally reduces effectiveness and increases the variation in the disinfecting light's visual appearance.

Dual-Mode Indigo-Clean Technology Controller: It is a low-voltage internal device that determines the operational mode based on the input received from the external automated controls. An Off manual push will not turn the lights off, but rather turn the lights to Blue Mode. Please refer to Dual-Mode Application Guide for wiring diagram.

MECHANICAL/OPTICAL OPTIONS

UPLIGHT OPTION⁴: Patented Top Glow frost white diffuser standard. 12' maximum diffuser length. 73% transmissive, 99% diffusion. Internal secondary diffusers at corners ensure visually seamless, uniform, continuous illumination. Optional: Flush frost white snap-in diffuser, 73% transmissive, 99% diffusion; **ASY-L** distributes light to the left, **ASY-R** distributed light to the right of the luminaire. Consult factory for more tailored lumen outputs.

DOWNLIGHT OPTION⁵: 12' maximum diffuser length. Flush frost white snap-in diffuser standard, 73% transmissive, 99% diffusion. Internal secondary diffusers at corners ensure visually seamless, uniform, continuous illumination. Available with Flush (**F**), Bottom Glow (**BG**), 1" Drop Down Lens (**DL**), White Cross Blade Baffle (**WCB**)⁶, Hollowed Ellipse Louver (**LHE**)⁶, Hex Louver (**LHC**)⁶, Downlight Asymmetric Optic (**DAO**)⁷, and Regressed downlight diffusers (**RG**). 1" Drop Down Lens made of highly efficient acrylic. Available with a solid endcap or an endcap with a diffuse filler to continue the luminous aesthetic. Downlight Asymmetric Optic is an extruded lenses with a subtle ribbed appearance providing asymmetric distribution for improved optical performance. Consult factory for more tailored lumen outputs.

LUMEN MAINTENANCE: White LEDs: 90% of initial light output (L90) at 100,000+ hours; 70% of initial light output (L70) at 200,000+ hours. 405nm LEDs: 70% of initial output at L70 @ 60,000 hours.

REFLECTORS: Die-formed 20-gauge cold-rolled steel reflectors finished in 96LG High Reflectance white power coat paint.

ELECTRICAL FEATURES

STATIC WHITE FEED: Standard with one 18-gauge/5-conductor single-circuit feed controlling uplight and downlight together (power and dimming). Specify dual feeds for independent control of uplight and downlight. 14-gauge feed used when luminaire current exceeds 5 amps.

Single-Mode Indigo-Clean Technology: Continuous environmental disinfection system that uses a blended white LEDs and 405nm Indigo-Clean LEDs. The narrow spectrum light provides a safe visible light that disinfects the space. When the light is on, disinfection is active.

Dual-Mode Indigo-Clean Technology: Utilizes a two circuit board design. When the space is occupied it utilizes a combination of blended white LEDs and 405nm LEDs. When the space is unoccupied, it utilizes just the 405nm LEDs with increased output to increase disinfection efficacy. Dim to Off not available.

¹ Indirect/Direct and Direct only

² White Cross Blade (WCB) baffles not available with custom angles. Available in 90 degrees only

³ [Indigo-Clean Research Reports](#)

⁴ Wall Mount Indirect/Direct, Wall Mount Regressed Indirect/Direct, and Wall Mount Indirect only

⁵ Wall Mount Indirect/Direct, Wall Mount Regressed Indirect/Direct, Wall Mount Direct, and Wall Mount Regressed Direct only

⁶ Wall Mount Regressed Indirect/Direct & Wall Mount Regressed Direct only

⁷ Not available with Regressed

| | | |
|----------------|----------|-------|
| Submitted by: | | Date: |
| Type: | Project: | |
| Ordering Info: | | |

High Performance 2" Aperture (HP-2) Wall Mount

SPECIFICATIONS

STATIC WHITE DRIVER: Replaceable 120V, 277V, and 347V Constant Current Reduction dimming driver standard. Can be wired dimming or non-dimming. 0-10V dimming controls with a range of 10%- 100% standard. Dimming to 1% available. Separate dimming for uplight and downlight available. Driver is fully accessible from below the ceiling.

- **Power Factor:** ≥ 0.9
- **Total Harmonic Distortion (THD):** <20%
- **Expected driver lifetime:** 100,000 hours

LUTRON DRIVER OPTIONS:

- **LUT-ES1 (LDE1)** - (Hi-lume 1% EcoSystem with Soft-On, Fade-to-Black dimming (LDE1 series))

MOUNTING OPTIONS

HANGING HARDWARE: Wall Mount: Luminaire hangs securely from mounting brackets fastened directly to the wall for easy installation. Luminaire stands 1/2" off the wall. The mounting bracket is concealed behind the luminaire.

OTHER OPTIONS

ENDCAPS: Flat diecast aluminum endcaps (**FE**) add 1/4" to each end of luminaire. 1" Drop Down Lens Endcap (**DE**)⁸ includes diffuse element to continue luminance of drop lens. Open Endcap (**OE**) is for use with the Hollowed Ellipse Louver (**LHE**); following the curve of the louver.

EMERGENCY STYLE: Optional emergency to generator/inverter wiring, internal generator transfer switch, nightlight wiring, step-dimming driver, backup battery.

| Backup Battery | | |
|----------------------------|-------------|-------------------------------|
| | Legrand 18W | Legrand 10W / Bodine BSL310LP |
| HP2-WM-D | | |
| Min. Housing Length | 8'* | 4'*, ** |
| EM Lumen Output | 1560 | 929 |
| EM Section Illum. | 2' | 2' or 4' |
| HP2-WM-ID | | |
| Min. Housing Length | 12' | 8' |
| EM Lumen Output | 1560 | 929 |
| EM Section Illum. | 2' | 2' or 4' |
| HP2-WM-I | | |
| Min. Housing Length | 8'* | 4'* |
| EM Lumen Output | 1874 | 956 |
| EM Section Illum. | 2' | 2' or 4' |

Based on 3700K and 80-CRI.

* Minimum fixture housing length for battery pack approved without sensor

** Exception: 5' not available, 6'+ okay.

| Bodine GTD and Legrand ALCR Min. Length | |
|---|-------------------|
| Configuration | Min Length |
| Generator | D-4'; I-4'; ID-6' |
| Generator + OCC | D-6'; I-6'; ID-8' |
| Day | D-4'; I-4'; ID-6' |
| Generator + Day | D-6'; I-6'; ID-8' |

INTEGRATED SENSORS: Integrated PIR (Passive Infrared) Occupancy (**OBO**) or Daylight Sensors (**OBD**) available with Flush and Bottom Glow downlight diffusers. PIR sensors not recommended for stairwell applications. Refer to Occupancy Sensor & Daylight Sensor tech sheet and the Embedded Intelligence landing page for more information and additional sensor options. Minimum fixture length with a sensor is 3ft.

PATENT: Indigo-Clean products and technology covered by U.S. Patent No.US 9,039,966 and US 8,398,264. Product may also be covered by patents found at www.kenall.com/patents.

FINISHES: Finelite Signal White (**SW**) powder coat, Finelite Black (RAL 9005) with semi gloss fine texture (**FB**), and Satin Aluminum (**SA**) are standard. Optional Adder: 179 RAL colors⁹ are available.

LABELS: Luminaire and electrical components are ETL-listed conforming to UL 1598 in the U.S.A. and CAN/CSA C22.2 No. 250.0 in Canada. In accordance with NEC Code 410.130 (G), this luminaire contains an internal driver disconnect. UL 924 and UL 2108 - PoE options available on request. EPA Est.No. 99530-CA-1, -2, -3. These fixtures are rated for Damp Location. IC Rated. Finelite products use electronic components that are RoHS compliant, and the mechanical components of the luminaire have been verified to not knowingly contain any restricted substances listed per RoHS Directive 2015/863. Consult factory for tailored lighting options. Finelite makes the specification process easy when putting healthier products on your projects. Simply add - **RLA** (Red List Approved) or - **RLD** (Red List Declared) to your part number.

WEIGHT¹⁰: ID - 2.9 lb/ft; D - 2.3 lb/ft; I - 2.3 lb/ft; AM - 2.9 lb/ft (luminaire only)

WARRANTY: 5-year performance-based warranty on all standard components. Optional accessories such as emergency battery packs are covered by their individual manufacturer warranties.

⁸ Available in Indirect/Direct Regressed & Direct Regressed only

⁹ 20 business days lead time for color

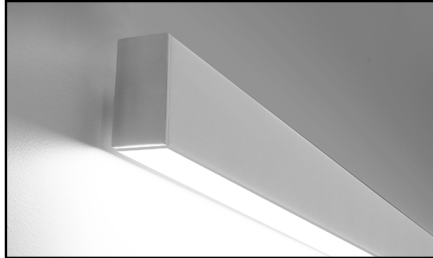
¹⁰ Excludes Battery Back up and Generator Transfer Device weight

Protected by one or more US Patents: 8915613; D702,391; D702,390; D700,732

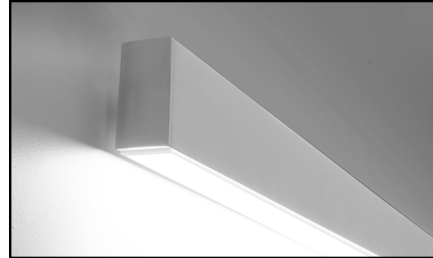
| | | |
|----------------|----------|-------|
| Submitted by: | | Date: |
| Type: | Project: | |
| Ordering Info: | | |

High Performance 2" Aperture (HP-2) Wall Mount

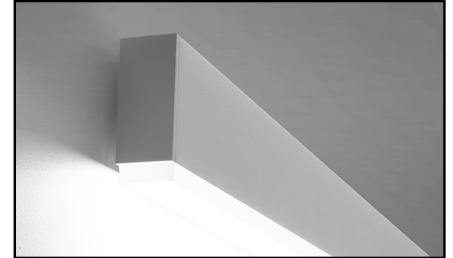
AESTHETIC OPTIONS



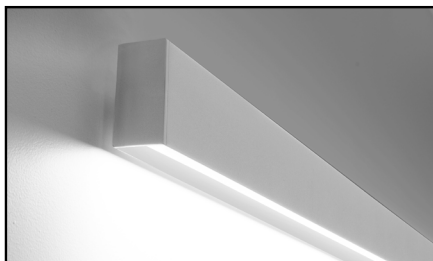
Flush Diffuser (**F**)



Bottom Glow Diffuser (**BG**)



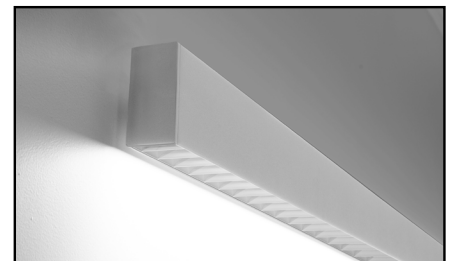
1" Drop Down Lens (**DL**)



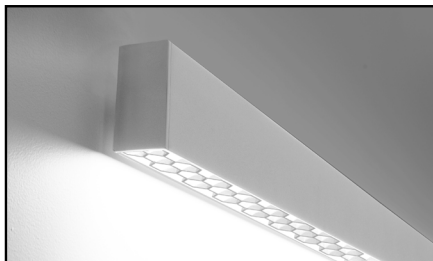
Flat Diffuser with 1" Regressed (**RG-D**)



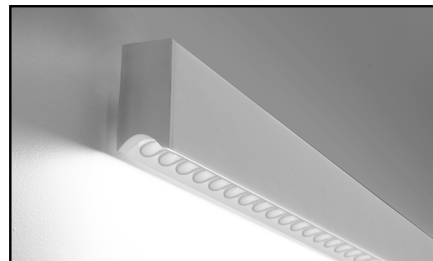
Downlight Asymmetric Optic¹ (**DAO**)
Extremely flush



White Cross Blade Baffle² (**RG-WCB**)



Hex Louver² (**RG-LHC**)



Hollowed Ellipse Louver² (**RG-LHE**)

¹ With a subtle ribbed appearance providing an asymmetric distribution
² Regressed only

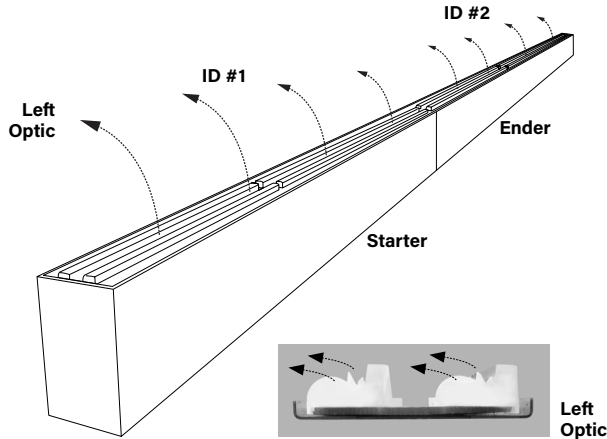
| | | |
|----------------|----------|-------|
| Submitted by: | | Date: |
| Type: | Project: | |
| Ordering Info: | | |

High Performance 2" Aperture (HP-2) Wall Mount

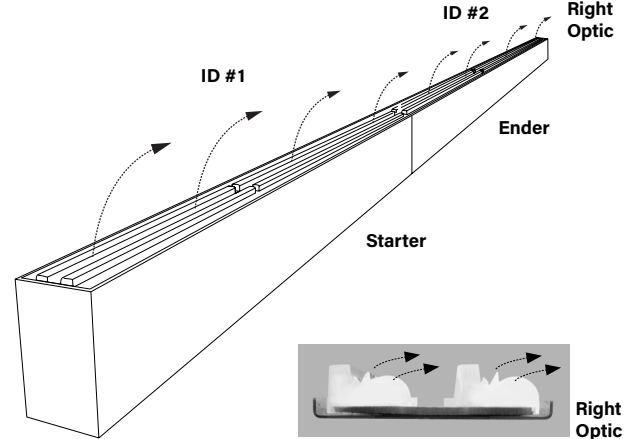
ASYMMETRIC OPTIONS

Use this tool to understand how to specify Asymmetric for your project. The diagrams below show a linear run from power feed to ender. Specify ASY-L distributes light to the left or ASY-R distributes light to the right.

Asymmetric Left Optic (ASY-L)



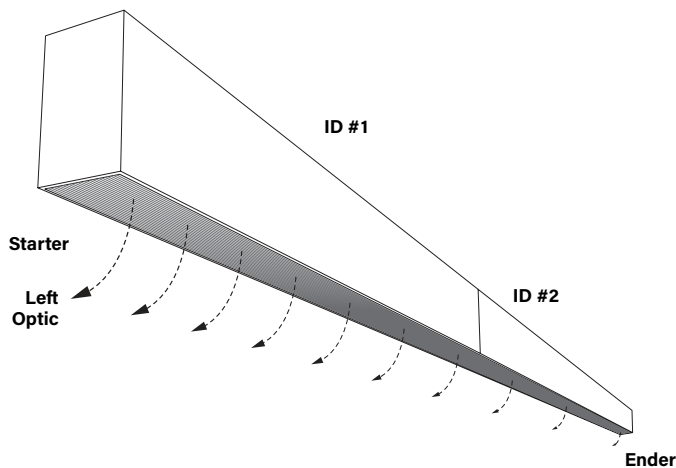
Asymmetric Right Optic (ASY-R)



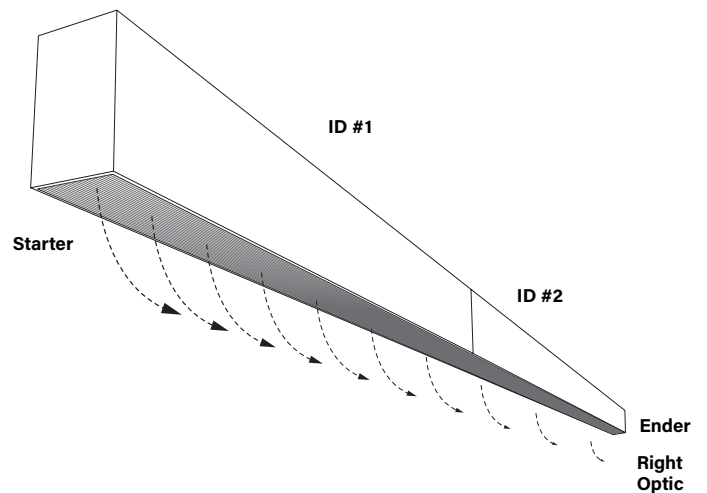
DOWNLIGHT ASYMMETRIC OPTIONS

Use this tool to understand how to specify Downlight Asymmetric for your project. The diagrams below show a linear run from power feed to ender. Specify DAO-L distributes light to the left or DAO-R distributes light to the right.

Downlight Asymmetric Optic Left (DAO-L)



Downlight Asymmetric Optic Right (DAO-R)



PREINSTALLED LABEL



For DAO, Preinstalled label on diffuser shows direction of light. Remove after installation.

| | | |
|----------------|----------|-------|
| Submitted by: | | Date: |
| Type: | Project: | |
| Ordering Info: | | |

High Performance 2" Aperture (HP-2) Wall Mount

Indirect/Direct Photometry - 4' Luminaire 3500K

HP-2-P-ID-4'-V-V-837-SMIC-DSO

Uplight: Widespread Optic

Downlight: Downlight Spread Optic

Distribution: 55% Up (V) / 45% Down (V)

Efficacy: 101 lm/W

Uplight: 3897 lumens (974 lumens/foot)

Downlight: 3175 lumens (794 lumens/foot)

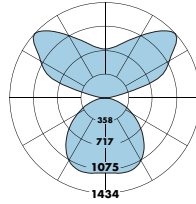
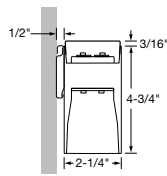
Total luminaire output: 7072 lumens (1768 lm/ft)

70 watts (17.5 W/ft)

Peak Candela Value: 1161 @ 15°

CRI: 80 / CCT: 3700K

ITL LM79 Report 89456 and 94139 (Family Correlated)



CANDELA DISTRIBUTION

| | 0.0 | 22.5 | 45.0 | 67.5 | 90.0 | FLUX |
|-----|------|------|------|------|------|------|
| 0 | 1131 | 1131 | 1131 | 1131 | 1131 | |
| 5 | 1123 | 1124 | 1129 | 1134 | 1136 | 108 |
| 15 | 1060 | 1170 | 1116 | 1151 | 1161 | 314 |
| 25 | 942 | 972 | 1063 | 1121 | 1135 | 483 |
| 35 | 790 | 840 | 954 | 1005 | 1011 | 577 |
| 45 | 625 | 682 | 790 | 817 | 811 | 579 |
| 55 | 461 | 509 | 590 | 598 | 590 | 497 |
| 65 | 305 | 338 | 386 | 385 | 375 | 359 |
| 75 | 166 | 179 | 202 | 197 | 191 | 201 |
| 85 | 49 | 50 | 51 | 49 | 47 | 57 |
| 90 | 0 | 0 | 0 | 0 | 0 | |
| 95 | 46 | 81 | 81 | 67 | 66 | 89 |
| 105 | 178 | 250 | 516 | 539 | 444 | 421 |
| 115 | 314 | 397 | 698 | 963 | 1017 | 673 |
| 125 | 446 | 526 | 860 | 1219 | 1260 | 769 |
| 135 | 541 | 615 | 890 | 1260 | 1413 | 719 |
| 145 | 614 | 672 | 858 | 1093 | 1199 | 555 |
| 155 | 673 | 706 | 818 | 934 | 982 | 381 |
| 165 | 714 | 727 | 769 | 812 | 827 | 219 |
| 175 | 733 | 735 | 740 | 745 | 747 | 71 |
| 180 | 736 | 736 | 736 | 736 | 736 | |

Indirect/Direct Photometry - 4' Luminaire 3500K

HP-2-P-ID-4'-V-V-837-SMIC-F-F

Uplight: Flush Diffuser

Downlight: Flush Diffuser

Distribution: 55% Up (V) / 45% Down (V)

Efficacy: 92 lm/W

Uplight: 3699 lumens (925 lumens/foot)

Downlight: 3080 lumens (770 lumens/foot)

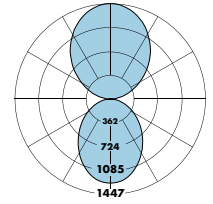
Total luminaire output: 6779 lumens (1695 lm/ft)

73.8 watts (18.5 W/ft)

Peak Candela Value: 1447 @ 180°

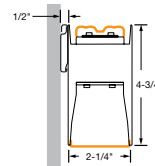
CRI: 80 / CCT: 3700K

ITL LM79 Report 85132 (Family Correlated)



CANDELA DISTRIBUTION

| | 0.0 | 22.5 | 45.0 | 67.5 | 90.0 | FLUX |
|-----|------|------|------|------|------|------|
| 0 | 1275 | 1275 | 1275 | 1275 | 1275 | |
| 5 | 1267 | 1268 | 1266 | 1265 | 1265 | 120 |
| 15 | 1204 | 1196 | 1194 | 1188 | 1183 | 336 |
| 25 | 1081 | 1065 | 1056 | 1044 | 1032 | 486 |
| 35 | 914 | 897 | 883 | 860 | 851 | 551 |
| 45 | 727 | 712 | 696 | 672 | 663 | 535 |
| 55 | 536 | 526 | 510 | 491 | 484 | 456 |
| 65 | 357 | 349 | 339 | 327 | 322 | 336 |
| 75 | 197 | 192 | 186 | 181 | 178 | 198 |
| 85 | 58 | 57 | 56 | 55 | 53 | 62 |
| 90 | 0 | 0 | 0 | 0 | 0 | |
| 95 | 69 | 66 | 66 | 67 | 68 | 75 |
| 105 | 237 | 234 | 229 | 228 | 227 | 245 |
| 115 | 429 | 426 | 424 | 414 | 412 | 418 |
| 125 | 641 | 630 | 633 | 624 | 619 | 563 |
| 135 | 858 | 845 | 849 | 840 | 840 | 652 |
| 145 | 1066 | 1052 | 1055 | 1052 | 1045 | 658 |
| 155 | 1245 | 1230 | 1237 | 1231 | 1225 | 567 |
| 165 | 1373 | 1363 | 1366 | 1364 | 1361 | 385 |
| 175 | 1438 | 1438 | 1438 | 1438 | 1437 | 136 |
| 180 | 1447 | 1447 | 1447 | 1447 | 1447 | |



Information in chart below is for reference and based on ITL LM79 report 89456 and 94139 (Family Correlated)

Total Light Output, 3700K, 80 CRI (Lumens) - 4' Luminaire

| | ↑H † | ↑V |
|------|--------------------|---------------------|
| ↓H † | 5500 [↑55% 45%↓] | 6366 [↑161% 39%↓] |
| ↓V | 6206 [↑49% 51%↓] | 7072 [↑55% 45%↓] |

Light Output, 3700K, 80 CRI (Lumens Per Foot)

| | ↑H † | ↑V |
|------|------|------|
| ↓H † | 1375 | 1592 |
| ↓V | 1552 | 1768 |

Single Mode Power, 3700K (Watts Per Foot)

| | ↑H † | ↑V |
|------|------|------|
| ↓H † | 13.4 | 15.5 |
| ↓V | 15.5 | 17.5 |

Dual Mode Power, 3700K (Watts Per Foot)

| Status | ↑H † | | ↑V | |
|--------|----------|------|------------|----------|
| | Occupied | LPD | Unoccupied | Occupied |
| ↓H † | 13.8 | 10.7 | 8.2 | 15.9 |
| ↓V | 15.9 | 12.4 | 9.4 | 18.0 |

Efficacy, 3700K, 80 CRI (Lumens Per Watt)

| | ↑H † | ↑V |
|------|------|-----|
| ↓H † | 102 | 103 |
| ↓V | 100 | 101 |

† Family Correlation based on 4' luminaire 3700K Very High Output (V) test - 120V.
H - High Output, V - Very High Output

Information in chart below is for reference and based on ITL LM79 report 85132

Total Light Output, 3700K, 80 CRI (Lumens) - 4' Luminaire

| | ↑H † | ↑V |
|------|--------------------|---------------------|
| ↓H † | 5273 (↑55% 45%↓) | 6095 (↑161% 39%↓) |
| ↓V | 5957 (↑48% 52%↓) | 6779 (↑55% 45%↓) |

Light Output, 3700K, 80 CRI (Lumens Per Foot)

| | ↑H † | ↑V |
|------|------|------|
| ↓H † | 1318 | 1524 |
| ↓V | 1489 | 1695 |

Single Mode Power, 3700K (Watts Per Foot)

| | ↑H † | ↑V |
|------|------|------|
| ↓H † | 13.4 | 15.5 |
| ↓V | 15.5 | 17.5 |

Dual Mode Power, 3700K (Watts Per Foot)

| Status | ↑H † | | ↑V | |
|--------|----------|------|------------|----------|
| | Occupied | LPD | Unoccupied | Occupied |
| ↓H † | 13.8 | 10.7 | 8.2 | 15.9 |
| ↓V | 15.9 | 12.4 | 9.4 | 18.0 |

Efficacy, 3700K, 80 CRI (Lumens Per Watt)

| | ↑H † | ↑V |
|------|------|----|
| ↓H † | 98 | 99 |
| ↓V | 96 | 97 |

† Family Correlation based on 4' luminaire 3700K Very High Output (V) test - 120V.
H - High Output, V - Very High Output

Wattage is Real Power. If you would like additional details to calculate Apparent Power, please contact your local Finelite representative.

- Use **Occupied Power** for total electrical load calculations. Use this value to estimate branch circuit lighting loads.
- Use **LPD Power** for lighting power density calculations. Only the power attributed to white light is required per NEMA LSD EB 84-202X. Power used toward germicidal disinfection has been removed for this calculation.
- Use **Unoccupied** and **Occupied Power** for energy calculations to determine the power consumed over time based on the use of the space.

Sample Lumen Adjustment Calculation

| Lumen Adjustment Factors 80 CRI | |
|---------------------------------|------|
| Indigo-Clean | |
| 3200K | 0.98 |
| 3700K | 1.00 |
| 4300K | 1.03 |

FLUSH - High Output (H) / Very High Output (V), 3200K, 80 CRI
Lumen Adjustment Factor: 0.98
Total Light Output: 6095 lm x 0.98 = 5973 lm
Total Light Output per Foot: 1524 lm/ft x 0.98 = 1494 lm/ft.
watts/foot: 15.5 W/ft.

$$\text{Efficacy} = \frac{1494 \frac{\text{lm}}{\text{ft.}}}{15.5 \frac{\text{W}}{\text{ft.}}} = 96 \text{ lm/W}$$

| | | |
|----------------|----------|-------|
| Submitted by: | | Date: |
| Type: | Project: | |
| Ordering Info: | | |

High Performance 2" Aperture (HP-2) Wall Mount

Direct Photometry - 4' Luminaire 3700K

HP2-P-D-V-837-SMIC-F

Downlight: Flush Diffuser

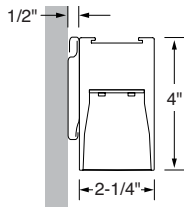
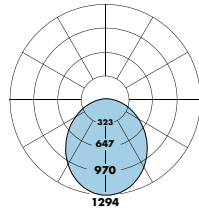
Efficacy: 89 lm/W

Total luminaire output: 3119 lumens (780 lm/ft)
35 watts (8.8 W/ft)

Peak Candela Value: 1294 @ 0°

CRI: 80 / CCT: 3700K

TL LM79 Report 85136 (Family Correlated)



CANDELA DISTRIBUTION

| | 0.0 | 22.5 | 45.0 | 67.5 | 90.0 | FLUX |
|----|------|------|------|------|------|------|
| 0 | 1294 | 1294 | 1294 | 1294 | 1294 | |
| 5 | 1287 | 1286 | 1286 | 1285 | 1284 | 122 |
| 15 | 1225 | 1214 | 1213 | 1207 | 1199 | 341 |
| 25 | 1099 | 1084 | 1076 | 1055 | 1043 | 493 |
| 35 | 929 | 914 | 895 | 869 | 860 | 559 |
| 45 | 739 | 725 | 703 | 676 | 665 | 542 |
| 55 | 546 | 534 | 516 | 494 | 485 | 460 |
| 65 | 363 | 354 | 340 | 327 | 321 | 339 |
| 75 | 200 | 195 | 189 | 182 | 179 | 200 |
| 85 | 60 | 59 | 57 | 55 | 55 | 64 |
| 90 | 0 | 0 | 0 | 0 | 0 | |

Information in chart below is for reference and based on ITL LM79 report 94139 (Family Correlated)

Total Light Output, 3700K, 80 CRI (Lumens) - 4' Luminaire

| H ¹ | V |
|----------------|------|
| 2469 | 3175 |

Light Output, 3700K, 80 CRI (Lumens Per Foot)

| H ¹ | V |
|----------------|-----|
| 617 | 794 |

Single Mode Power, 3700K (Watts Per Foot)

| H ¹ | V |
|----------------|-----|
| 6.8 | 8.9 |

Dual Mode Power, 3700K (Watts Per Foot)

| H ¹ | | | V | | |
|----------------|-----|------------|----------|-----|------------|
| Occupied | LPD | Unoccupied | Occupied | LPD | Unoccupied |
| 6.9 | 5.5 | 4.1 | 9.0 | 7.1 | 5.2 |

Efficacy, 3700K, 80 CRI (Lumens Per Watt)

| H ¹ | V |
|----------------|----|
| 90 | 89 |

1 Family Correlation based on 4' luminaire 3700K Very High Output (V) test - 120V.

H - High Output, V - Very High Output

Wattage is Real Power. If you would like additional details to calculate Apparent Power, please contact your local Finelite representative.

- Use **Occupied Power** for total electrical load calculations. Use this value to estimate branch circuit lighting loads.
- Use **LPD Power** for lighting power density calculations. Only the power attributed to white light is required per NEMA LSD EB 84-202X. Power used toward germicidal disinfection has been removed for this calculation.
- Use **Unoccupied and Occupied Power** for energy calculations to determine the power consumed over time based on the use of the space.

Sample Lumen Adjustment Calculation

| Lumen Adjustment Factors 80 CRI | |
|---------------------------------|------|
| Indigo-Clean | |
| 3200K | 0.98 |
| 3700K | 1.00 |
| 4300K | 1.03 |

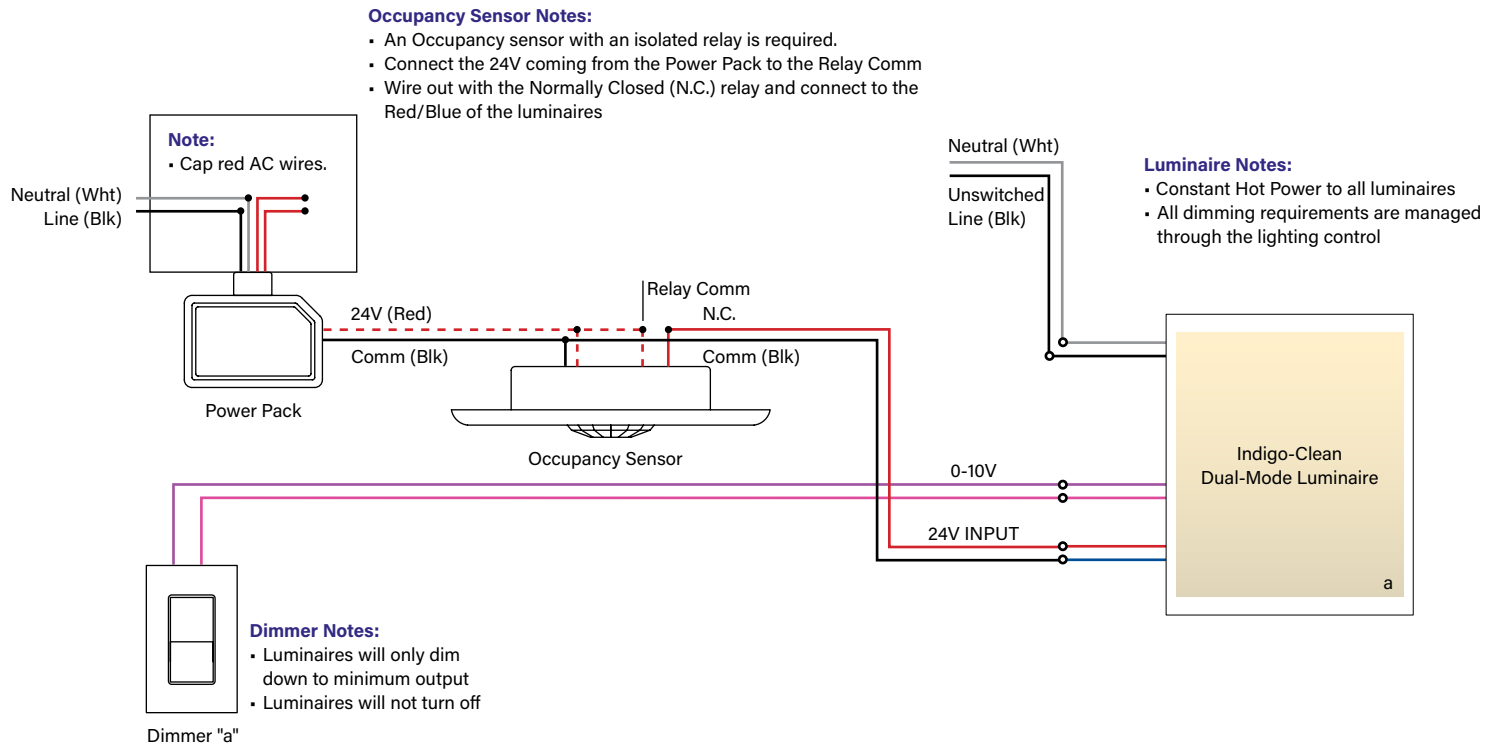
FLUSH - Very High Output (V), 3200K, 80 CRI
Lumen Adjustment Factor: 0.98
Total Light Output: 3119 lm x 0.98 = 3057 lm
Total Light Output per Foot: 780 lm/ft x 0.98 = 764 lm/ft.
watts/foot: 8.8 W/ft.

$$\text{Efficacy} = \frac{764 \frac{\text{lm}}{\text{ft.}}}{8.8 \frac{\text{W}}{\text{ft.}}} = 87 \text{ lm/W}$$

| | | |
|----------------|----------|-------|
| Submitted by: | | Date: |
| Type: | Project: | |
| Ordering Info: | | |

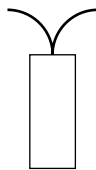
Indigo Clean Dual Mode - Basic Wiring Diagram

WIRING DIAGRAM



DUAL FEED DETAIL

CONTROL FEED
Blue / Red
Blue / Black



24V Dual Mode Control Pair

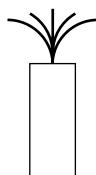
Each Indigo-Clean Dual Mode fixture will have a pair of #18awg low voltage wires

| WIRING LEGEND | |
|---------------|-----------|
| Blue/Red | OCC 24V + |
| Blue/Black | OCC 24V - |



Blue w/ a Red stripe (24V +)
Blue with a Black stripe wire (COMMON)

POWER FEED
Black, White, Green,
Purple, Pink



| WIRING LEGEND | |
|---------------|---------|
| Black | Hot |
| White | Neutral |
| Green | Ground |
| Purple | 0-10V + |
| Pink | 0-10V - |