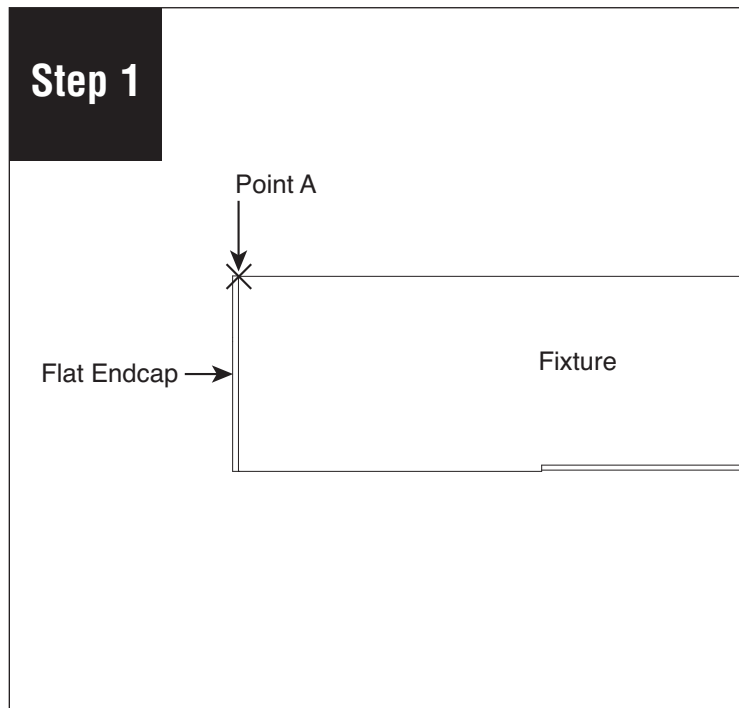
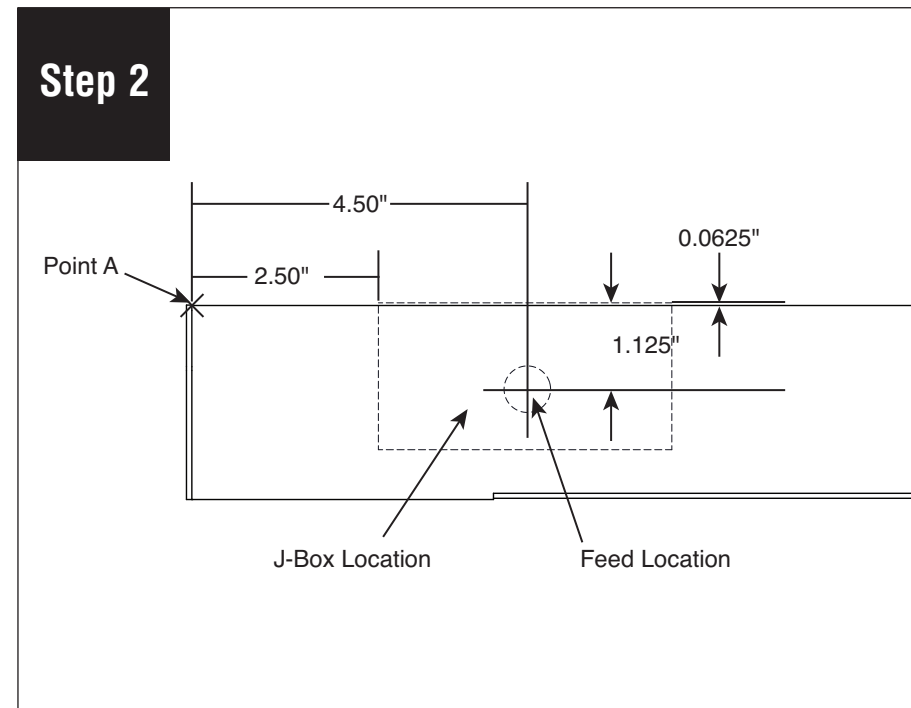


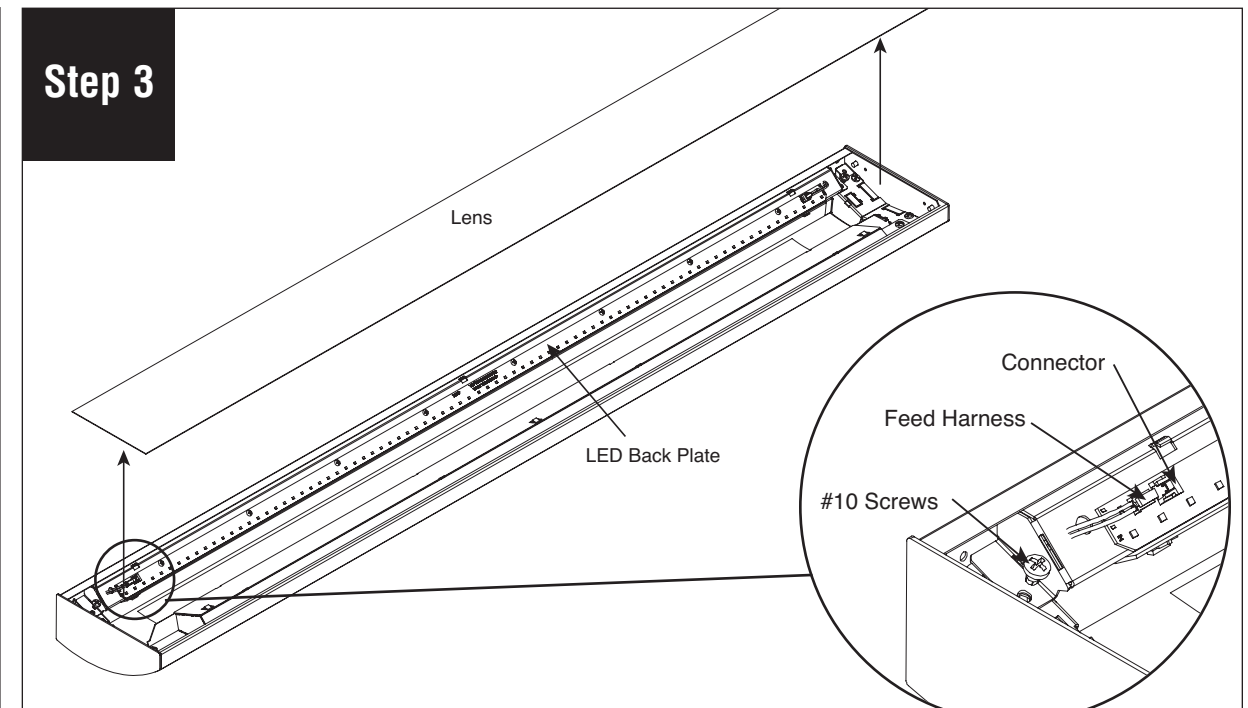
# S12 LED Wall Mount Surface Mount (SUR) Installation Instructions



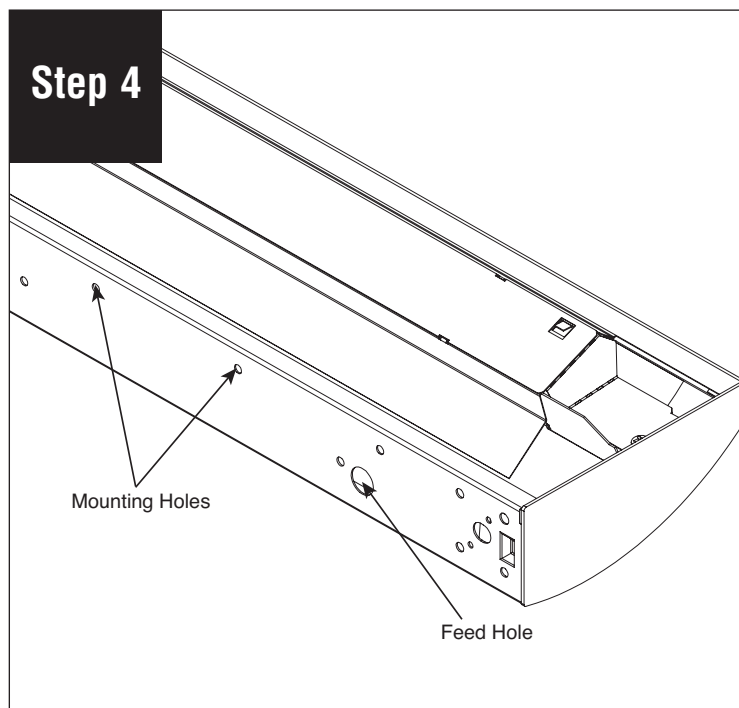
Position fixture on wall in desired location. Mark on wall the point where the end cap and the fixture body meet. Both ends of the fixture need to be marked on wall. This is Point A.



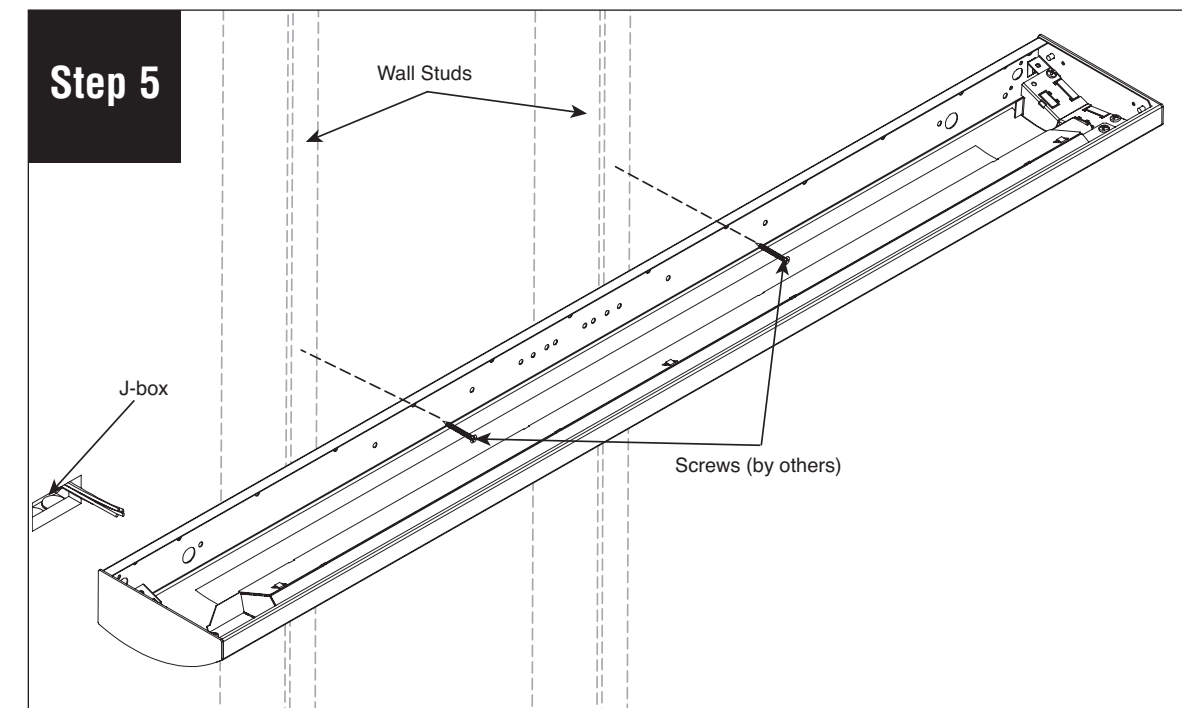
Determine feed location by measuring a horizontal line 4.5" from point A toward center of fixture, then 1.125" downward. Mark this spot for the feed. Centering J-Box and install over feed location. Leave 8-10" of power wire exposed.



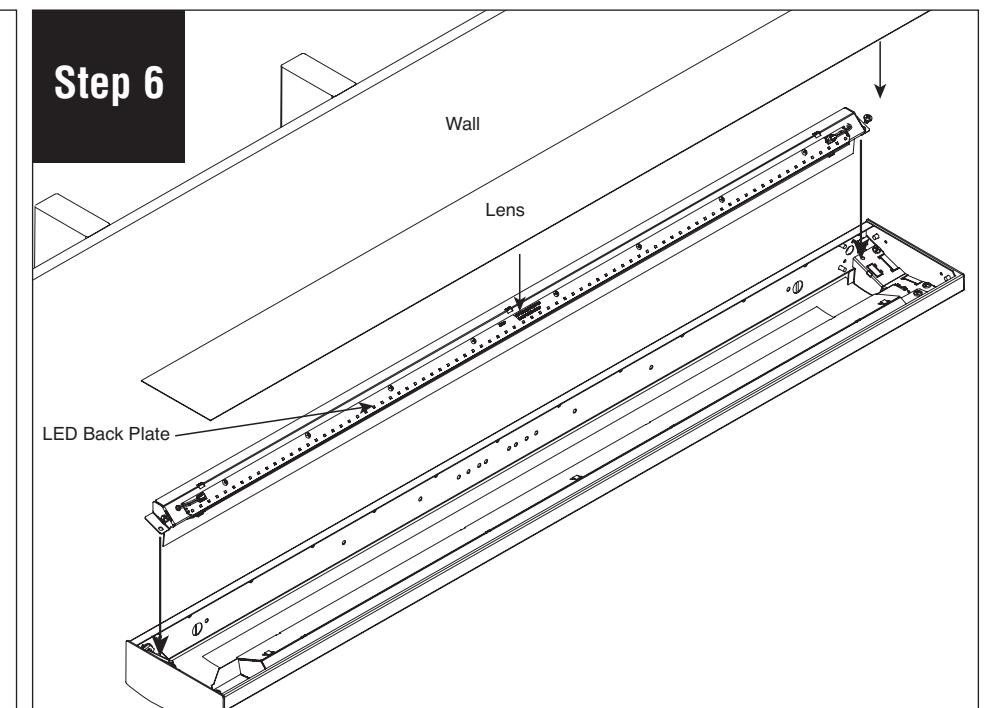
Remove lens from fixture and set aside to prevent it from getting dirty or damaged. Disconnect feed harness from connector. Remove #10 screws at both ends of LED back plate and remove LED back plate and set aside.



Locate mounting holes and feed hole from the back of the fixture.



Attach fixture to stud and level. At each support location that is not secured into a stud (usually fixture ends) drill hole 1.25" down from Point A. Backing as required. Make electrical connection.



Replace LED back plate. Reinstall lens. Turn power on to fixture.