

| | | |
|----------------|----------|-------|
| Submitted by: | | Date: |
| Type: | Project: | |
| Ordering Info: | | |

High Performance 4" Aperture (HP-4) Curved Sections



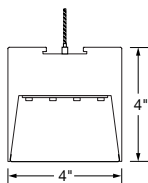
High Performance 4" Aperture Curved Sections are patented luminaires that add design flexibility to the HP-4 family. Curved Sections deliver continuous illumination and are available in 45°, 90°, and 180° angles with 2', 3', and 4' diameter options. All Curved Sections can be joined to HP-4 linear to create a multitude of configurations and are equipped with universal and robust joining hardware for strong and repeatable joints ensuring seamless transitions.

This product is enrolled in the International Living Future Institute (ILFI) Declare 2.0 Program and is third-party verified with options achieving **Red List Approved** and **Red List Declared** status.

Signal White is standard finish

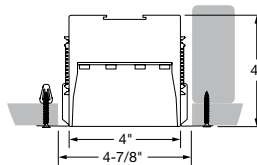
CROSS SECTIONS

Direct



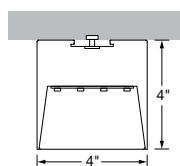
Flush Downlight Diffuser

Recessed Spackle Flange



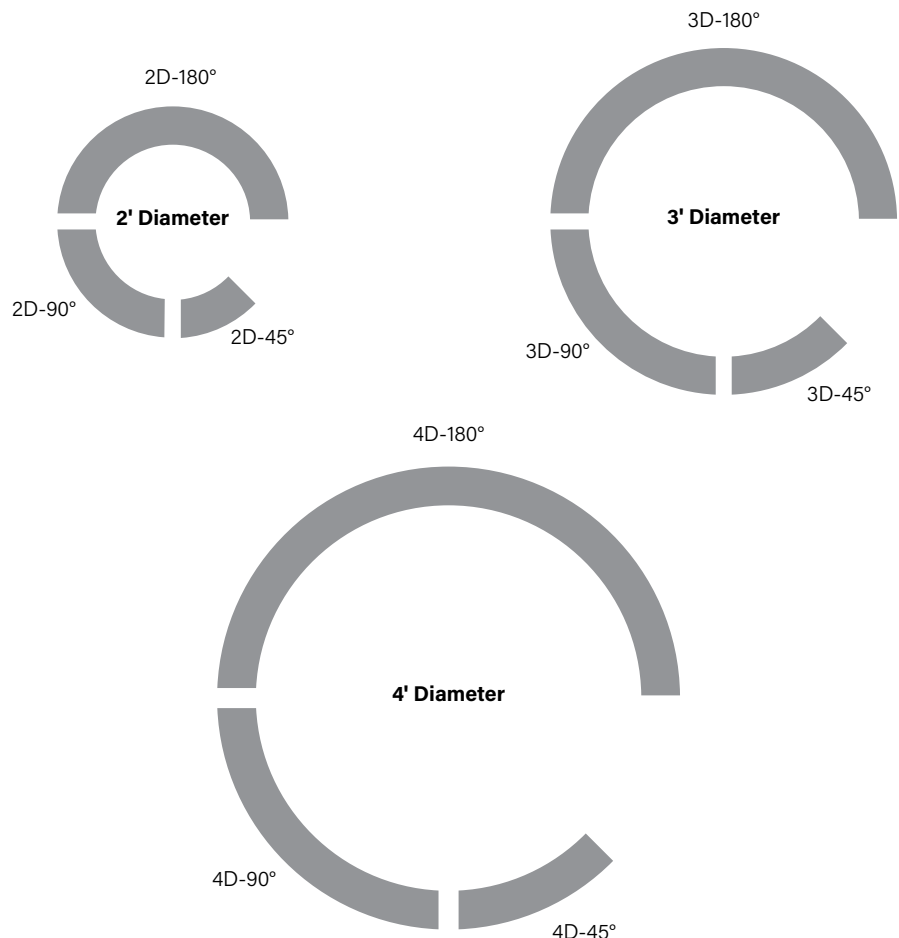
Flush Downlight Diffuser

Surface Mount



Flush Downlight Diffuser

SIZE OPTIONS



| | | |
|----------------|----------|-------|
| Submitted by: | | Date: |
| Type: | Project: | |
| Ordering Info: | | |



High Performance 4" Aperture (HP-4) Curved Sections

Ordering Guide Example: HP - 4 - P - D - 36' - S - 835 - F - 96LG - 120 - SC - FC-10% - FA50 - C1 - FE - SW - LGD18W - OBO - CP - RS 5x5

| BODY TYPE | | | | OUTPUT AND LED TYPE | | |
|-----------------------|-------------|--|------------------------|---|--|--|
| Platform | Series Name | Luminaire Type | Luminaire Distribution | Total Length of Configuration | Downlight Output | LED CRI/CCT |
| HP - High Performance | 4 | P - Pendant R - Recessed <i>(Spackle Flange Only)</i> SM - Surface Mount | D - Direct | Total length to be calculated by factory. Minimum 2' increments accurate to 1/16" (±1/32") standard. 12' maximum section length. Use Configuration section to specify size and shape. | S - Standard (377 lm/ft) B - Boosted (474 lm/ft) H - High (717 lm/ft) V - Very High (922 lm/ft) TL - Tailored: _____lm/ft * | 830 - 80 CRI, 3000K 835 - 80 CRI, 3500K 840 - 80 CRI, 4000K 930 - 90 CRI, 3000K 935 - 90 CRI, 3500K 940 - 90 CRI, 4000K 8TW - 80 CRI, Tunable White 9TW - 90 CRI, Tunable White |

| MECHANICAL FEATURES | | | ELECTRICAL OPTIONS | | |
|-----------------------------|----------------------------------|--|----------------------------|--|--|
| Downlight | Reflector System | Voltage | Circuiting ¹ | Driver Selection | |
| F - Flush (standard) | 96LG - 96 Low Gloss White | 120 - 120 Voltage 277 - 277 Voltage 347 - 347 Voltage | SC - Single Circuit | 0-10V Driver Options FC-10% - 0-10V 10% (standard) FC-1% - 0-10V 1% OTI-10% - EldoLED OTI, 0-10V 10% ^{2,9} OTI-1% - EldoLED OTI, 0-10V 1% ^{2,9} ELD-10V-0% - EldoLED SOLOdrive, 0-10V, 0.1% ¹⁰ 10V-TW-10% - EldoLED OTI, 0-10V 10% (Tunable White) ^{2,10} DALI Driver Options FC-DALI-1% - DALI 1% ¹⁰ DXL-DALI-1% - EldoLED Dexal, 1% ¹⁰ ELD-DALI-0% - EldoLED SOLOdrive, 0.1% ¹⁰ ELD-DALI-TW - EldoLED DUALdrive LightShape, 1% (Tunable White) ¹⁰ | Lutron Driver Options LUT-ES1 - Lutron, Ecosystem 1% ¹⁰ LUT-TW - Lutron T-Series, EcoSystem 0.1% (Tunable White) ¹¹ |

See Page 3 for additional driver options and details

| MOUNTING OPTIONS | | | OTHER OPTIONS | | |
|---|--|------------------------------------|--|---|---|
| Mounting Method | Ceiling Hardware Type ⁶ | Endcap Style | Finish | Emergency Style (Optional) ⁸ <small>See page 5 Backup Battery table</small> | Integrated Sensor (Optional) ⁹ |
| FA50 - Fully Adjustable 50' ⁴ FA100 - Fully Adjustable 100' ⁴ FA150 - Fully Adjustable 150' ⁴ FA200 - Fully Adjustable 200' ⁴ FA250 - Fully Adjustable 250' ⁴ FA300 - Fully Adjustable 300' ⁴ SF - Spackle Flange ⁵ 99 - Custom | C1 - 15/16" T-Bar C2 - 9/16" T-Bar C3 - Screw Slot C4 - Hard Ceiling C1T - 15/16" Tegular C2T - 9/16" Tegular | FE - Flat Endcap (standard) | SW - Signal White FB - Finelite Black SA - Satin Aluminum #### - RAL Color Code ⁷ 99 - Custom Color ⁷ | LGD18W - Legrand 18W Brand Battery Back-up LGD10W - Legrand 10W Brand Battery Back-up EM/GEN - Emergency to Generator NL - Night Light BSL722 - Bodine Battery Back up BSL310LP - Bodine Battery Back Up Low Profile GTD - Generator Transfer Device ALCR - Automatic Load Control Relay | OBO - Occupancy OBD - Daylight |

| Special Options (Optional) | Configuration ¹¹ |
|---|---|
| CP - Chicago Plenum ⁵ | RS _____ x _____ - Rounded Square (side 1 x curve section) |
| RLA - Red List Approved | RR _____ x _____ x _____ - Rounded Rectangle (side 1 x side 2 x curve section) |
| RLD - Red List Declared | RL _____ x _____ x _____ - Rounded " L " Shape (side 1 x side 2 x curve section) |
| | RU _____ x _____ x _____ x _____ - Rounded " U " Shape (side 1 x side 2 x side 3 x curve section) |
| | ARC _____ - Arc (curve section) |
| | 99CFG - Custom Configuration ¹² |

Lead times is 8-weeks.

¹ Contact factory for switching options
² Add DTO to gain "Dim to Off" functionality (FC-10% - DTO, FC-1% - DTO)
³ B & V outputs only
⁴ Pendant only
⁵ Recessed and Pendant (Only available with C1, C2, and C3 mounting hardware with Finelite Gridbox)

⁶ For Pendant and Surface Mount only
⁷ 20 business days lead time for color
⁸ Not available for curved sections but can be integrated into straight sections
⁹ Not available for 2D45 & 3D45
¹⁰ Not available for 2D45, 2D90, 2D180 & 3D45

¹¹ See pages 9-10 for more details and examples
¹² Please provide drawing with dimensions

| | | |
|----------------|----------|-------|
| Submitted by: | | Date: |
| Type: | Project: | |
| Ordering Info: | | |

High Performance 4" Aperture (HP-4) Curved Sections

SUPPLEMENTARY DRIVER PAGE

0-10V Driver Options

| | |
|-----------------------------------|---|
| FC-10%¹ | Factory Choice 0-10V 10% Dimming (Linear) |
| FC-10%-DTO¹ | Factory Choice 0-10V 10% Dimming, Dim-to-Off (Linear) |
| FC-1%¹ | Factory Choice 0-10V 1% Dimming (Linear) |
| FC-1%-DTO¹ | Factory Choice 0-10V 1% Dimming, Dim-to-Off (Linear) |
| ELD-10V-0%² | EldoLED SOLOdrive, 0-10V 0.1% Dimming (Linear) |
| ELD-10V-1%² | EldoLED ECOdrive, 0-10V 1% Dimming (Linear) |
| 10V-TW-10%² | EldoLED OTi, 0-10V 10% Dimming, <i>Tunable White</i> (Linear) |
| 10V-TW-10%-DTO² | EldoLED OTi, 0-10V 10% Dimming, Dim-to-Off, <i>Tunable White</i> (Linear) |
| OTi-10%¹ | EldoLED OTi, 0-10V 10% Dimming (Linear) |
| OTi-10%-DTO¹ | EldoLED OTi, 0-10V 10% Dimming, Dim-to-Off (Linear) |
| OTi-1%¹ | EldoLED OTi, 0-10V 1% Dimming (Linear) |
| OTi-1%-DTO¹ | EldoLED OTi, 0-10V 1% Dimming, Dim-to-Off (Linear) |

DALI Driver Options

| | |
|--------------------------------|---|
| FC-DALI-1%² | Factory Choice DALI 1% Dimming (Logarithmic) |
| DXL-DALI-1%² | EldoLED Dexal, DALI 1% Dimming (Logarithmic) |
| ELD-DALI-0%² | EldoLED SOLOdrive, DALI 0.1% Dimming (Logarithmic) |
| ELD-DALI-1%² | EldoLED ECOdrive, DALI 1% Dimming (Logarithmic) |
| ELD-DALI-TW² | EldoLED DUALdrive Light Shape, DALI 0.1% Dimming, <i>Tunable White</i> (Logarithmic Dimming , Linear CCT Control) |

Lutron Driver Options

| | |
|----------------------------|---|
| LUT-ES1³ | Lutron, Ecosystem 1% Dimming |
| LUT-TW³ | Lutron T-Series, EcoSystem 0.1% Dimming, <i>Tunable White</i> |

¹ Not available for 2D45 & 3D45

² Not available for 2D45, 2D90, 2D180 & 3d45

³ Not available for curved sections but can be integrated into straight sections

⁴ B & V outputs only

| | | |
|----------------|----------|-------|
| Submitted by: | | Date: |
| Type: | Project: | |
| Ordering Info: | | |

High Performance 4" Aperture (HP-4) Curved Sections

SPECIFICATIONS

BODY TYPE

CONSTRUCTION: Precision-cut 6063-T4 extruded aluminum with 16 gauge steel assembly body.

LINEAR LENGTHS: At any length, 2-foot minimum, in increments down to 1/16th inch ($\pm 1/32''$). 12-foot maximum section length.

OUTPUT & LED TYPE

LIGHT OUTPUT: Four lumen packages available, Standard (**S**), Boosted Standard (**B**), High (**H**), and Very High (**V**). A separate chart summarizes lumen distribution and wattage. Light engines are replaceable. For Tailored Outputs (**TL**), specify lm/ft^2 of outputs between those of Boosted (**B**) and Very High (**V**). Consult factory for tailored lumen output.

MECHANICAL OPTIONS

DOWNLIGHT DIFFUSER: Flush frost white snap-in lens standard, 80% transmissive, 99% diffusion.

LUMEN MAINTENANCE: 90% of initial light output (L90) at 100,000+ hours; 70% of initial light output (L70) at 200,000+ hours.

REFLECTORS: Die-formed 20-gauge cold-rolled steel reflectors finished in 96LG High Reflectance white powder coat paint.

ELECTRICAL OPTIONS

STATIC WHITE FEED: Standard with one 18-gauge/5-conductor single-circuit feed. 14-gauge feed used when fixture current exceeds 5 amps.

TUNABLE WHITE FEED:

TW Driver 0-10V: Power - 18/3, Control - 18/4;

DALI: Power/Control - 18/5;

LUTRON: Power/Control - 18/5

All above feeds are based on single circuit.

STATIC WHITE DRIVER¹: Replaceable 120V/277V Constant Current Reduction dimming driver standard. Can be wired dimming or non-dimming. 0-10V dimming controls with a range of 100%-10% standard. Dimming to 1% available. Driver is fully accessible from below the ceiling.

- **Power Factor:** ≥ 0.9 .

- **Total Harmonic Distortion (THD)** <20%.

- **Expected driver lifetime:** 100,000 hours.

LUTRON STATIC DRIVER OPTIONS ^{2,3}:

- **LUTES1** (Hi-lume 1% EcoSystem with Soft-On, Fade to Black dimming (LDE1 series))

TUNABLE WHITE DRIVER ³: Replaceable LED driver. Driver is accessible from below the ceiling. 120V/277V.

- **Power factor** ≥ 0.90 .

- **Total Harmonic Distortion (THD):** <20%.

- **Expected driver lifetime:** 100,000 hours.

LUTRON TUNABLE WHITE DRIVER OPTION ¹:

LUT-TW (0.1% T-Series 2-Channel Digital Tunable White (PSQ Series)).

MOUNTING TYPE

HANGING HARDWARE:

- **Pendant:** 50" to 300" Fully Adjustable (**FA**) plated steel aircraft cable with safety stop hardware standard.

- **Recessed Spackle Flange:** Drywall surfaces (walls or ceilings): 1/4-20 stud and nut (provided by others).

- **Surface Mount:** Lay-in ceiling types: caddy clip with 1/4 - 20 stud and nut. Drywall or concrete surfaces (walls or ceilings): 1/4 - 20 stud and nut (provided by others).

TUNABLE WHITE HANGING HARDWARE: For grid ceiling applications the dual GridBox™ mounting is supplied (standard). For hard ceiling applications the ceiling mounting box is supplied (standard).

TUNABLE WHITE INTERCONNECTION CABLES: Luminaires are prewired with plug-and-play interconnection cables to support easy plug-together joining of fixture runs.

OTHER OPTIONS

ENDCAPS: Pendant and Surface Mount: Flat diecast aluminum endcaps add 1/4" to each end of luminaire. Recessed: Flat sheet metal endcaps at each ends adds 1/16" to each end of luminaire.

CURVED SECTIONS: Available in 2', 3' & 4' diameters with section lengths of 45°, 90° & 180°. **2D45** and **3D45** curved sections are not available as independent fixtures.

¹ Not available on 2D45 & 3D45

² Not available on 2D45, 3D45 & 2D90

³ Only available on 3D90, 3D180, 4D90 & 4D180

| | | |
|----------------|----------|-------|
| Submitted by: | | Date: |
| Type: | Project: | |
| Ordering Info: | | |

High Performance 4" Aperture (HP-4) Curved Sections

SPECIFICATIONS

EMERGENCY STYLE OPTIONS: Optional Emergency to generator/ inverter wiring.

Optional internal generator transfer switch, nightlight wiring, step-dimming driver, backup battery not available for curve sections but can be integrated into straight sections.

TUNABLE WHITE EMERGENCY OPTIONS:

TW Driver Options ⁴:

- **0-10V:** EM/GEN, GTD or Battery Back Up
- **DALI:** EM/GEN, GTD or Battery Back Up
- **LUTRON:** EM/GEN, GTD or Battery Back Up

INTEGRATED SENSORS: Integrated sensors not available for curve sections but can be integrated into straight sections.

FINISHES: Finelite Signal White (**SW**) powder coat standard. Finelite Black (RAL9005) with semi gloss fine texture (**FB**) and Satin Aluminum (**SA**) are available. Optional Adders: 179 non-metallic RAL colors ⁵.

LABELS: Luminaire and electrical components are ETL-listed conforming to UL 1598 in the U.S.A. and CAN/CSA C22.2 No. 250.0 in Canada. In accordance with NEC Code 410.130 (G), this luminaire contains an internal driver disconnect. UL 2108 - PoE options available on request, contact factory for more details. These fixtures were rated

for Damp Location. Chicago Plenum options available for C1, C2, or C3 suspension using our GridBox. Finelite products use electronic components that are RoHS compliant, and the mechanical components of the luminaire have been verified to not knowingly contain any restricted substances listed per RoHS Directive 2015/863. Finelite makes the specification process easy when putting healthier products on your projects. Simply add - **RLA** (Red List Approved) or - **RLD** (Red List Declared) to your part number.

WEIGHTS ⁶:

Curved Sections:

- Pendant and Surface Mount: 6 lbs/ft.
- Recessed (Spackle Flange only): 6.5 lbs/ft.

Linear: 2.8 lbs/ft.

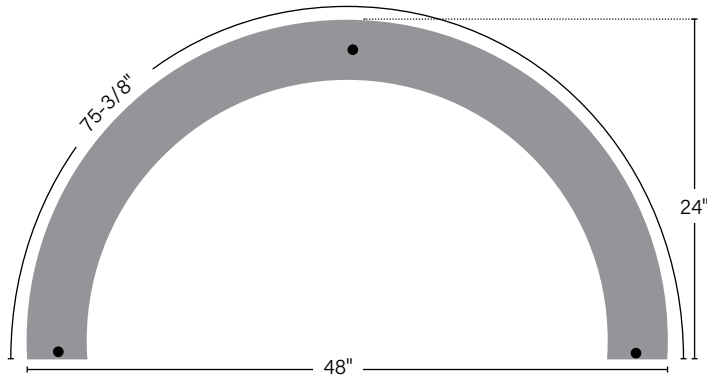
WARRANTY: 10-year performance-based warranty on all standard components. Optional accessories are covered by their individual manufacturer warranties.

⁴ Consult Finelite for GTD and BB fit
⁵ 20 business days lead time for color
⁶ Excludes Battery Back up and GTD weight

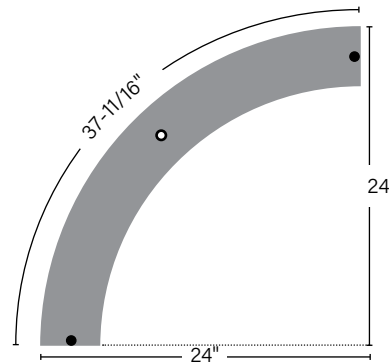
| | | |
|----------------|----------|-------|
| Submitted by: | | Date: |
| Type: | Project: | |
| Ordering Info: | | |

High Performance 4" Aperture (HP-4) Curved Sections

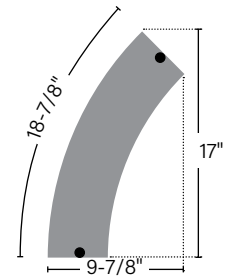
HOUSING CRITICAL DIMENSIONS: PENDANT SHOWN ¹



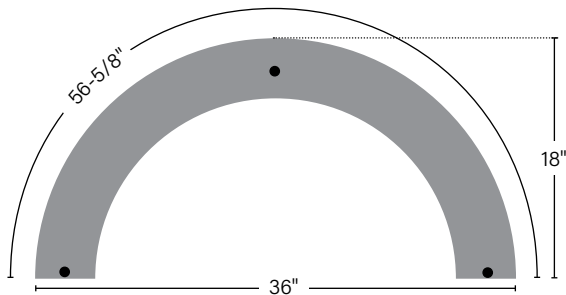
4D180



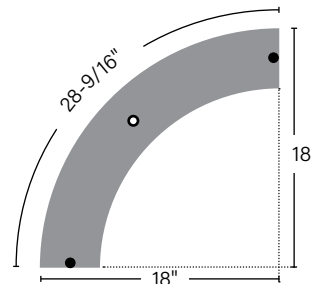
4D90



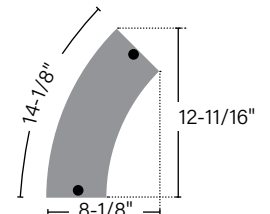
4D45



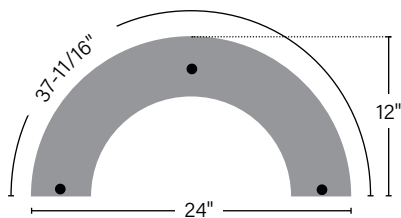
3D180



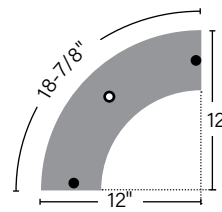
3D90



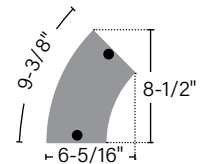
3D45



2D180



2D90



2D45

- = Suspension Points
- = Additional suspension points for non-standard configurations (see page 8)

Drawings are not to scale

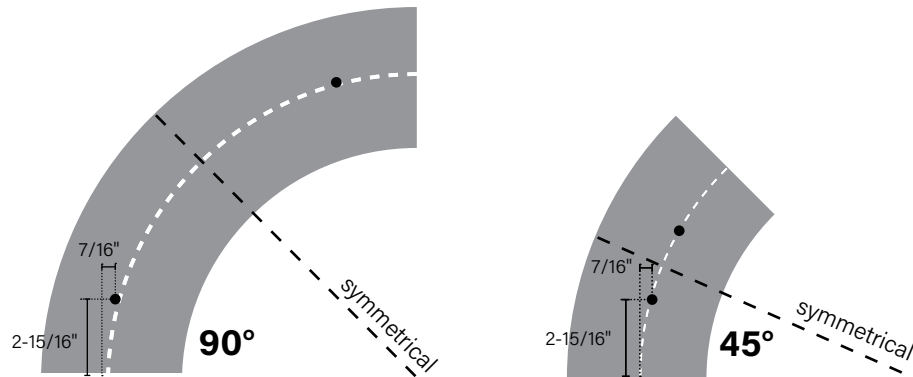
¹ 2D45 and 3D45 curved sections are not available as independent fixtures

| | | |
|----------------|----------|-------|
| Submitted by: | | Date: |
| Type: | Project: | |
| Ordering Info: | | |

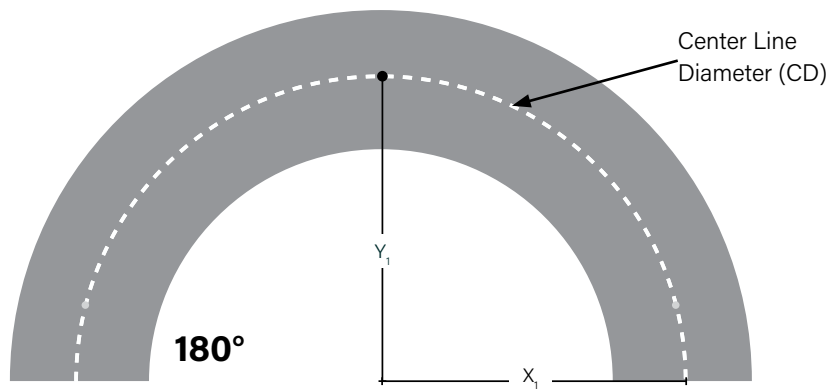
High Performance 4" Aperture (HP-4) Curved Sections

MOUNTING LOCATIONS: RECESSED (SF) AND SURFACE MOUNT

Mounting locations are located on each end of luminaire with offset shown below.



For 180° Sections: third mounting point required as shown below:



| | $X_1 = Y_1$ | CD |
|---------------|-------------|-----|
| 2D-180 | 10" | 20" |
| 3D-180 | 16" | 32" |
| 4D-180 | 22" | 44" |

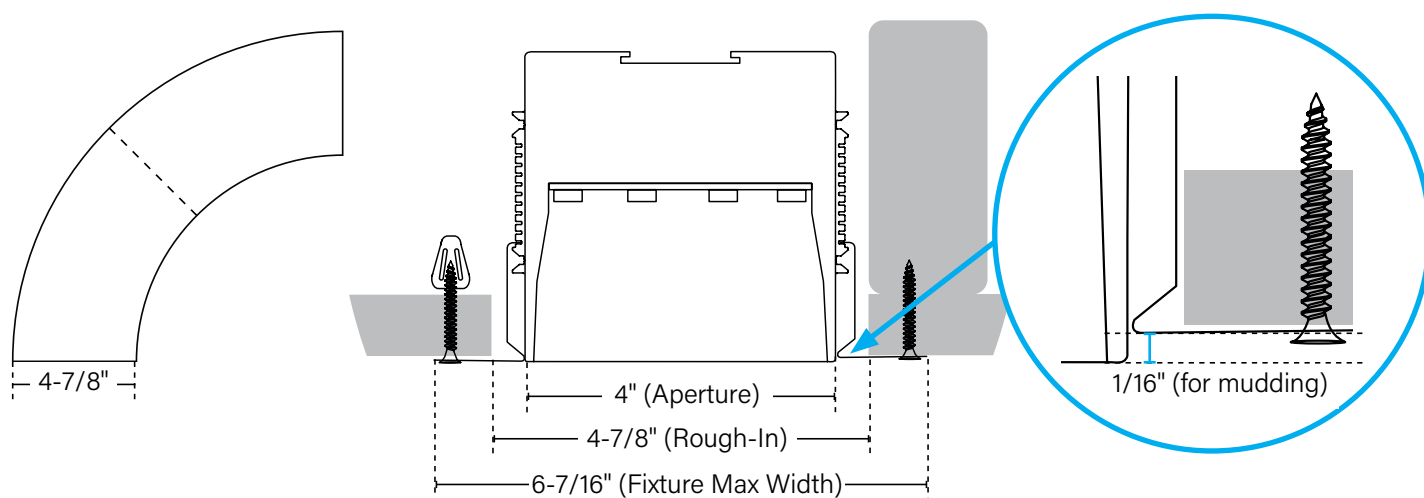
| | | |
|----------------|----------|-------|
| Submitted by: | | Date: |
| Type: | Project: | |
| Ordering Info: | | |

High Performance 4" Aperture (HP-4) Curved Sections

ROUGH-IN: RECESSED (SF)

Rough-In

Finelite provides a 90° multi-use template for Rough-In accuracy during installation. Template is perforated for use with 45° sections. Must add 3/8" to rough-in distance at endcap locations.

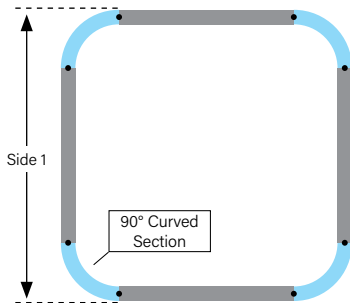


| | | |
|----------------|----------|-------|
| Submitted by: | | Date: |
| Type: | Project: | |
| Ordering Info: | | |

High Performance 4" Aperture (HP-4) Curved Sections

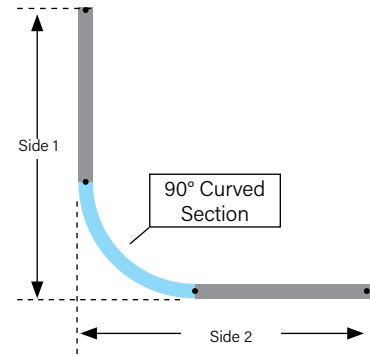
STANDARD CONFIGURATION EXAMPLES ^{1,2}

RS ___ x ___
Rounded Square-
Provide Side1
dimension and
desired 90°
curved section.



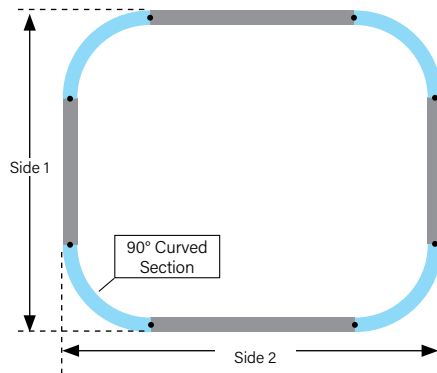
Example -
RS6'x2D90

RL ___ x ___ x ___
Rounded L-
Provide Side1x Side2
dimensions and
desired 90° curved
section.



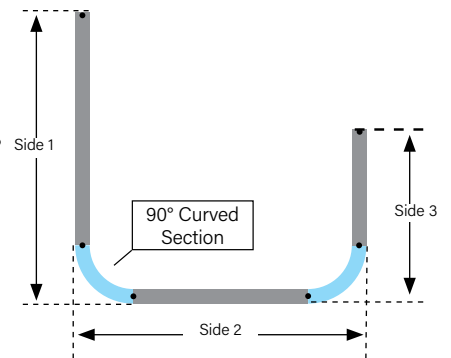
Example -
RL6'x6'x4D90

RR ___ x ___ x ___
Rounded
Rectangle- Provide
Side1 x Side2
dimension and
desired 90° curved
section.



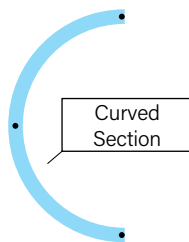
Example -
RR5'x7'x3D90

RU ___ x ___ x ___ x ___
Rounded U-
Provide Side1x Side2
x Side3 dimensions
and desired 90° or 180°
curved section.



Example -
RU8'x6'x4'x2D90

ARC _____
Arc - Provide
desired curved
section.

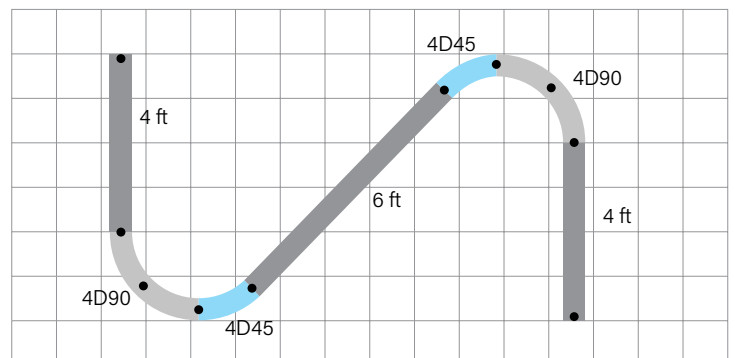


Example -
ARC4D180

99CFG

Custom Configuration - Please provide a sketch or drawing showing desired linear length dimensions and curved sections. Template available on page 10.

Example -



□ = 1 ft²

● = Suspension Points

¹ Drawings are not to scale

² 2' minimum length for linear sections

| | | |
|----------------|----------|-------|
| Submitted by: | | Date: |
| Type: | Project: | |
| Ordering Info: | | |

High Performance 4" Aperture (HP-4) Curved Sections

Static White Photometry - 4D-90

HP-4-P-D-3' 1-11/16"-V-835

Efficacy: 100 lm/W

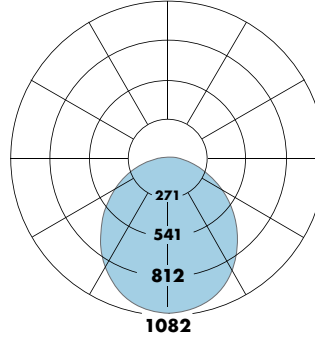
Total luminaire output: 2842 lumens (905 lm/ft)
28.4 watts (9.0 watts/foot³)

Peak Candela Value: 1082 @ 0°

CRI: 80

CCT: 3500K

ITL LM79 Report 91221



| CANDELA DISTRIBUTION | | | | | | |
|----------------------|------|------|------|------|------|------|
| | 0.0 | 22.5 | 45.0 | 67.5 | 90.0 | FLUX |
| 0 | 1082 | 1082 | 1082 | 1082 | 1082 | |
| 5 | 1076 | 1076 | 1076 | 1077 | 1077 | 102 |
| 15 | 1019 | 1025 | 1031 | 1028 | 1028 | 289 |
| 25 | 918 | 926 | 940 | 928 | 929 | 458 |
| 35 | 785 | 796 | 809 | 798 | 792 | 500 |
| 45 | 638 | 648 | 661 | 649 | 643 | 502 |
| 55 | 483 | 492 | 502 | 494 | 489 | 441 |
| 65 | 327 | 333 | 339 | 333 | 329 | 331 |
| 75 | 177 | 181 | 183 | 182 | 179 | 192 |
| 85 | 51 | 51 | 51 | 52 | 53 | 58 |
| 90 | 0 | 0 | 0 | 0 | 0 | |

Light Output, 3500K, 80 CRI (Lumens Per Foot)

| | S ¹ | B ¹ | H ¹ | V ² |
|----|----------------|----------------|----------------|----------------|
| 4' | 367 | 462 | 698 | 898 |
| 3' | 419 | 526 | 795 | 1022 |
| 2' | 377 | 474 | 717 | 922 |

Power, 3500K (Watts Per Foot)³

| | S ¹ | B ¹ | H ¹ | V ² |
|----|----------------|----------------|----------------|----------------|
| 4' | 3.5 | 4.5 | 6.9 | 9.0 |
| 3' | 4.0 | 5.1 | 7.8 | 10.2 |
| 2' | 3.6 | 4.6 | 7.1 | 9.2 |

Efficacy, 3500K, 80 CRI (Lumens Per Watt)

| | S ¹ | B ¹ | H ¹ | V ² |
|----|----------------|----------------|----------------|----------------|
| 4' | 105 | 104 | 101 | 100 |
| 3' | 105 | 104 | 101 | 100 |
| 2' | 105 | 104 | 101 | 100 |

Sample Lumen Adjustment Calculation

Lumen Adjustment Factors 80 CRI

| | |
|-------|-------|
| 3000K | 0.985 |
| 3500K | 1.000 |
| 4000K | 1.032 |

Lumen Adjustment Factors 90 CRI

| | |
|-------|-------|
| 3000K | 0.746 |
| 3500K | 0.760 |
| 4000K | 0.789 |

High Output (H), 2', 4000K, 90 CRI

Lumen Adjustment Factor: 0.789

Total Light Output per Foot: 717 lm/ft x 0.789 = 566 lm/ft.

Watts/foot: 7.1 W/ft.

$$\text{Efficacy} = \frac{566 \frac{\text{lm}}{\text{ft.}}}{7.1 \frac{\text{W}}{\text{ft.}}} = 80 \text{ lm/W}$$

Wattage is Real Power. If you would like additional details to calculate Apparent Power, please contact your local Finelite representative.

S - Standard Output, B - Boosted Standard Output, H - High Output, V - Very High Output

¹ Family Correlation based on 4' Circle, 3500K, Very High Output (V) test - 120V

² Based on ITL report: 91221

³ Watts per foot and lumens per foot calculated using approximate outer arc length of 4D90 Curved Section (3 1/8")

| | | |
|----------------|----------|-------|
| Submitted by: | | Date: |
| Type: | Project: | |
| Ordering Info: | | |

0-10V Tunable White

Finelite's award-winning, contractor friendly Tunable White luminaires are available with low cost, powerful, and simple 0-10V tuning and intensity controls.

TUNABLE WHITE FEATURES

- CCT range: 2700K - 6500K
- Dimming Range: 100% to 10%
- CRI Options: 80 CRI or 90 CRI

TUNABLE WHITE RESTRICTIONS

- 0-10V TW not available for 2D45, 2D90, 2D180 & 3D45 independant Curved Sections

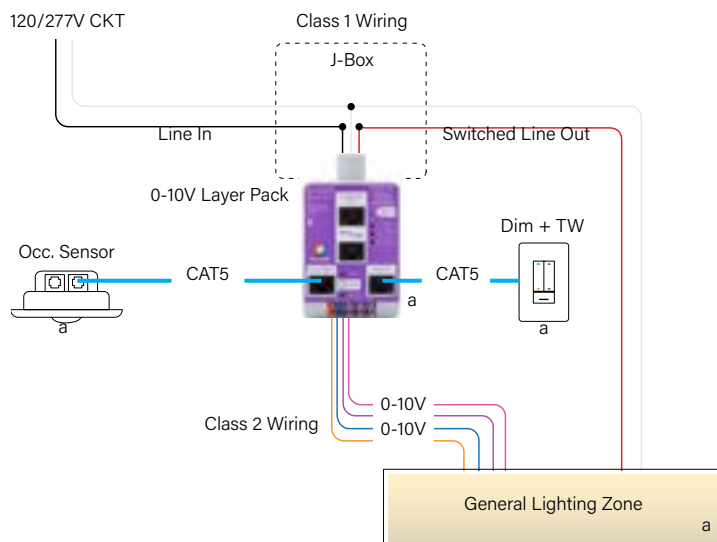
PHOTOMETRY

Apply a power adjustment factor to calculate wattage usage

| POWER | CONVERSION FACTOR |
|-------|-------------------|
| | 1.1X |

(Example: a 50 watt luminaire in static white would draw 55 watts using 0-10V Tunable White)

WIRING DIAGRAM - DIMMABLE TO 10%



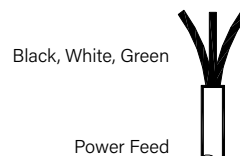
Luminaire Wiring

- **Purple (+) / Pink (-)** control wires are for intensity control
- **Orange (+) / Blue (-)** control wires are for Tunable White control

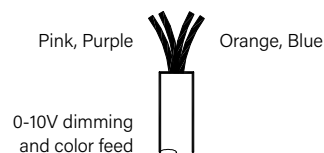
Note:

Load or Dim to Off options available.

DUAL FEED DETAIL



| WIRING LEGEND | | |
|---------------|---------|--------------|
| Black | Hot | Line Voltage |
| White | Neutral | Line Voltage |
| Green | Ground | |



| WIRING LEGEND | | |
|---------------|---------|----------|
| Pink | Dimming | 0-10V DC |
| Purple | Dimming | 0-10V DC |
| Orange | TW | 0-10V DC |
| Blue | TW | 0-10V DC |