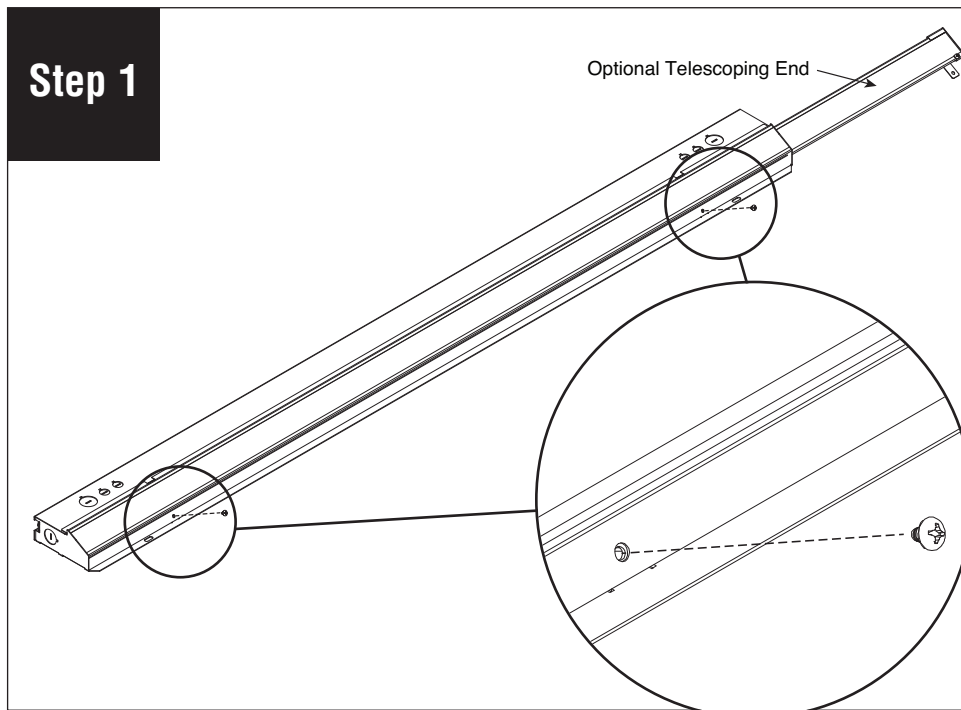
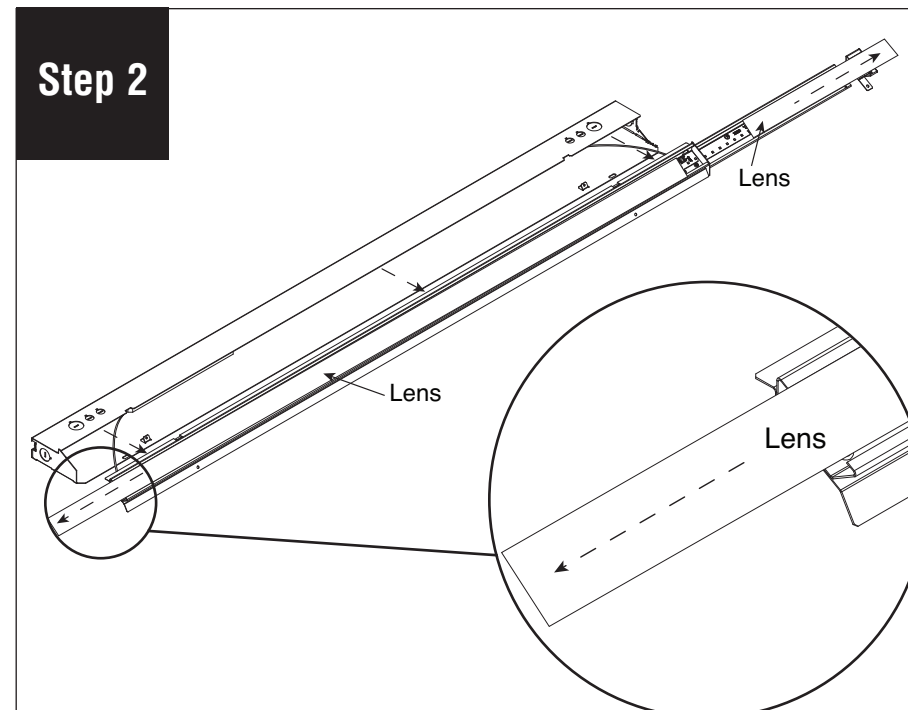


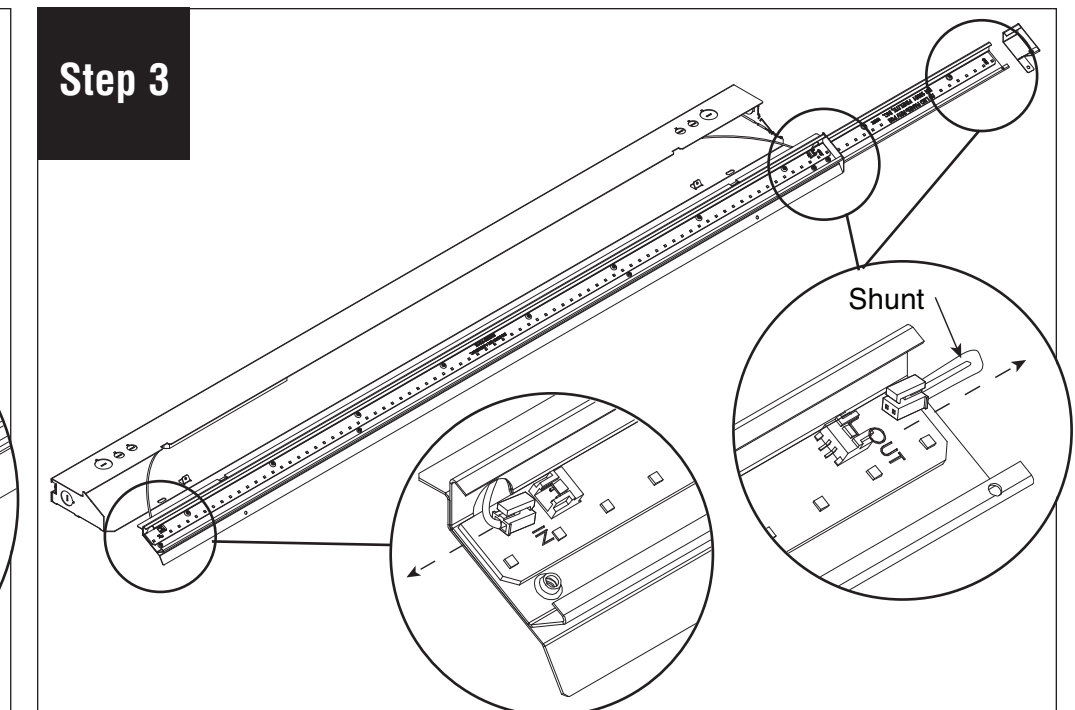
Series 11 Micro Profile LED Engine Replacement Instructions



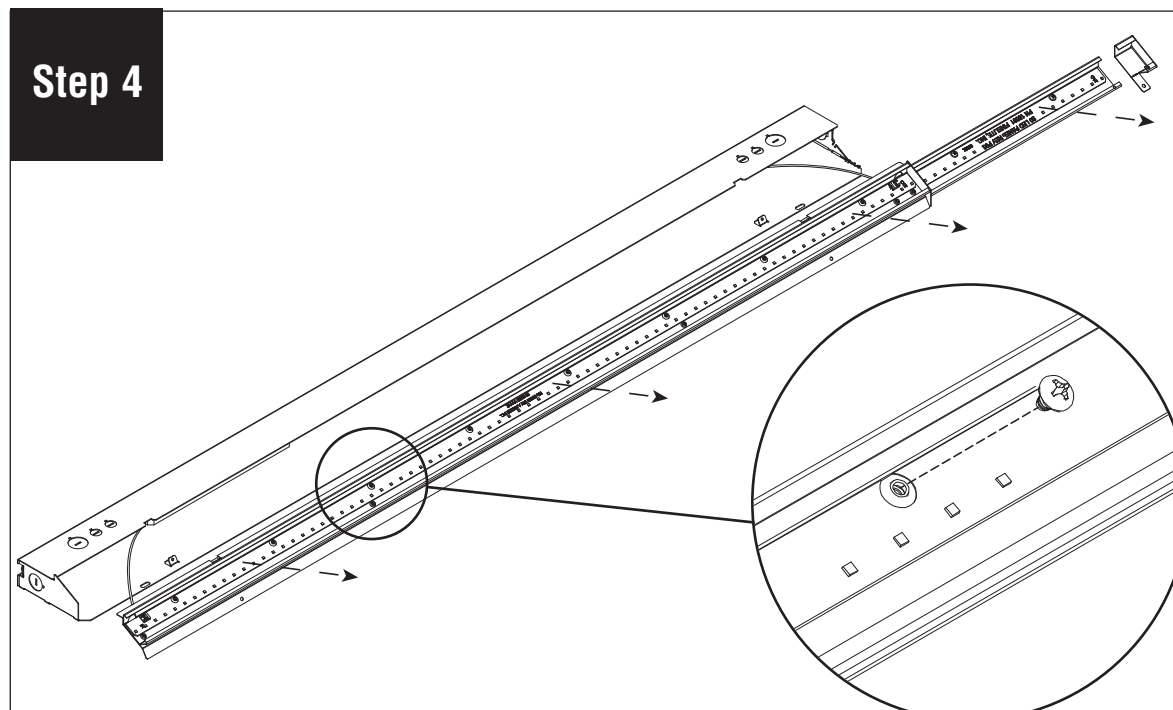
Confirm which light engines need to be replaced. Shut off power to the fixture. Remove Philips #2 screws (2 per 4' fixture) on cover using #2 Philips screw driver. If fixture has telescoping end remove screws on the end that secure the endcap.



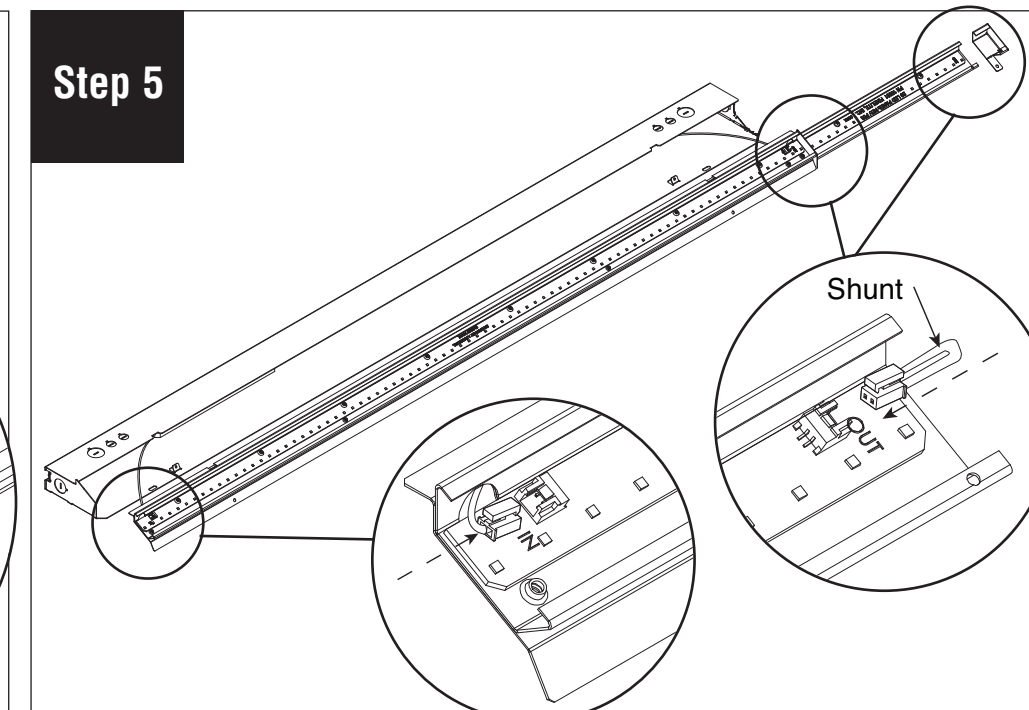
Pull cover assembly away from body, remove endcap from telescope end and slide out the lenses.



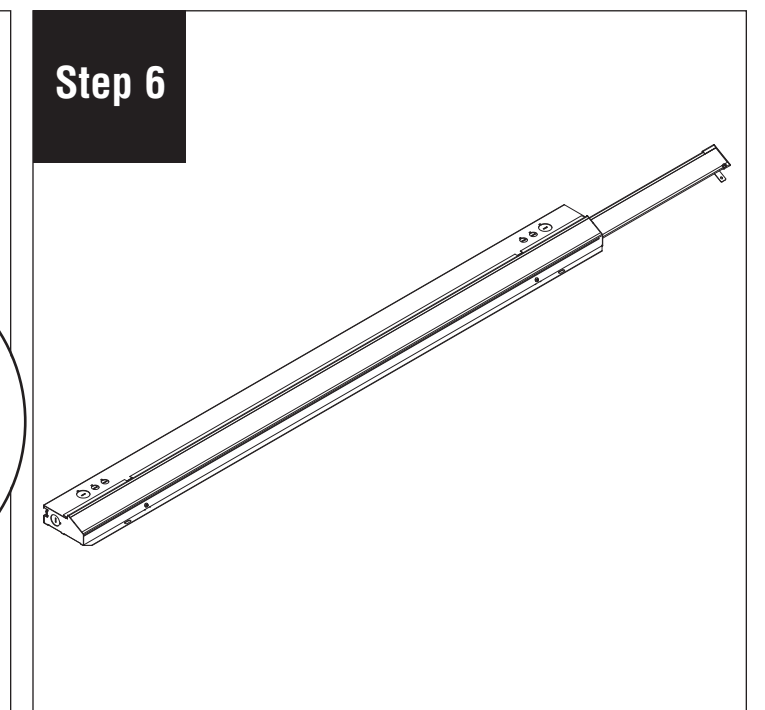
Carefully disconnect wire plugs from the light engine. Depress the locking tab to release before unplugging. Be sure to retain the end shunt (wire loop) and re-use with new light engine.



Remove all Philips #2 screws securing the light engines. Replace with new light engines. Carefully reinstall screws. Avoid any contact with LEDs during this process! Return spent light engines to Finelite or local e-waste recycler.



Reconnect all wires and end shunt connecting the same as originally wired.



Reinstall lenses, Close up the fixture and re-secure all screws that were removed.