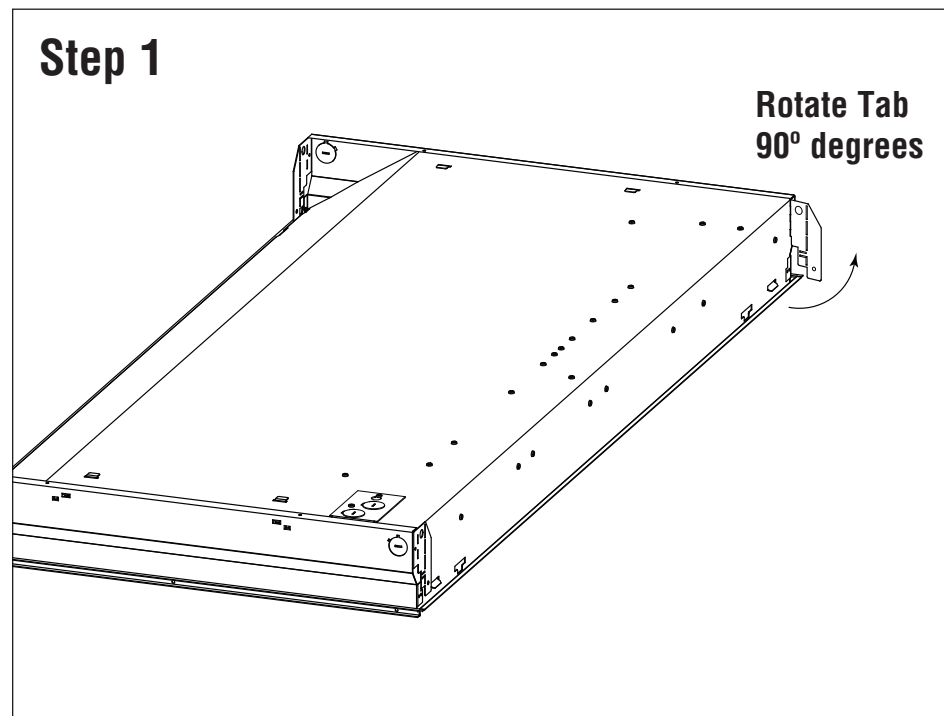
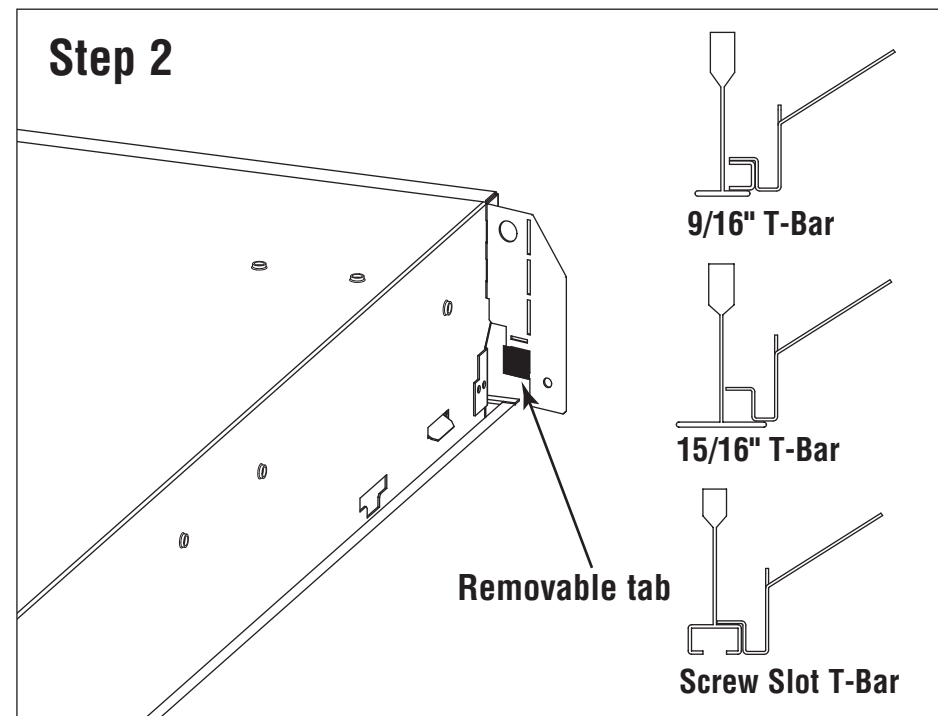


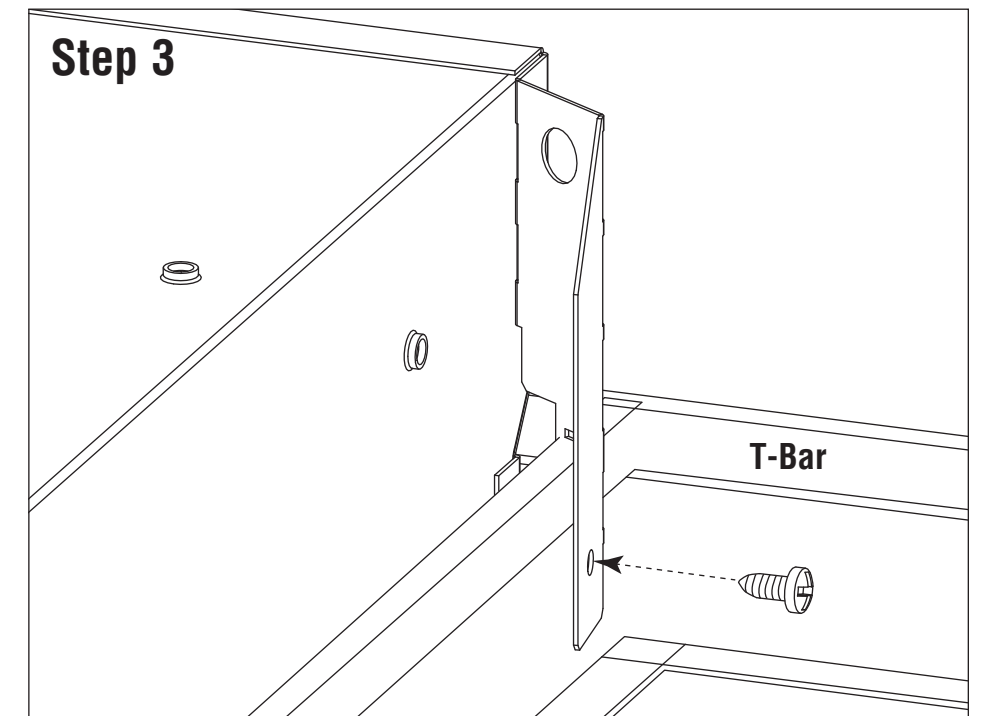
High Performance Recessed (HPR, HPR-LED) - Grid Ceiling Mounting



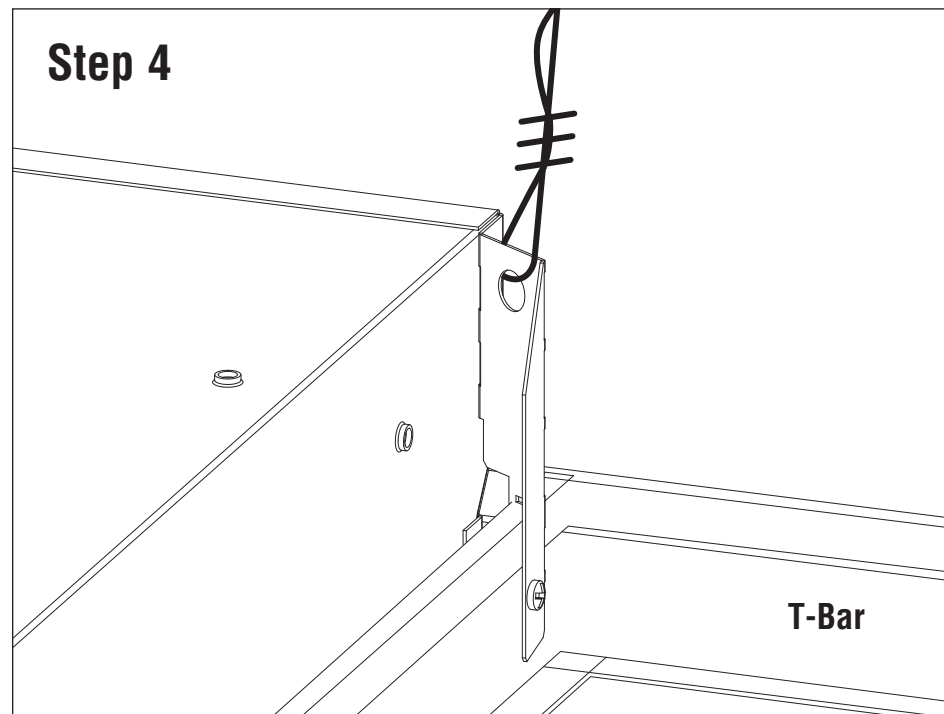
Prior to installation on T-Bar, rotate all corner tabs(4) outward from the body 90° degrees. Having a minimum of 6" clearance above T-bar makes installation easier.



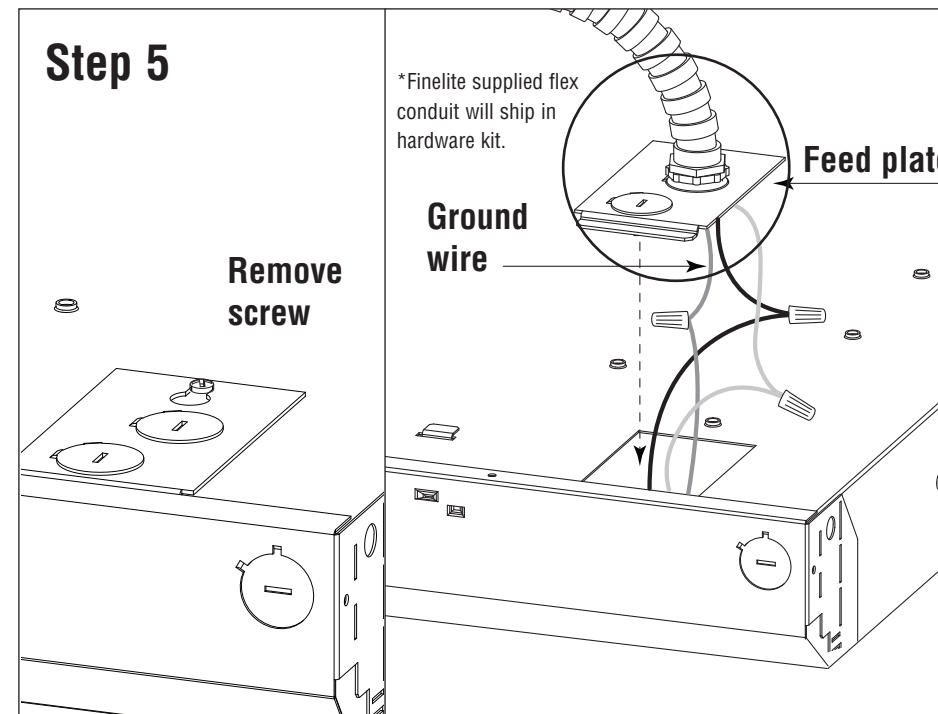
If needed, remove the tab to adjust clearance to fit proper T-Bar height.



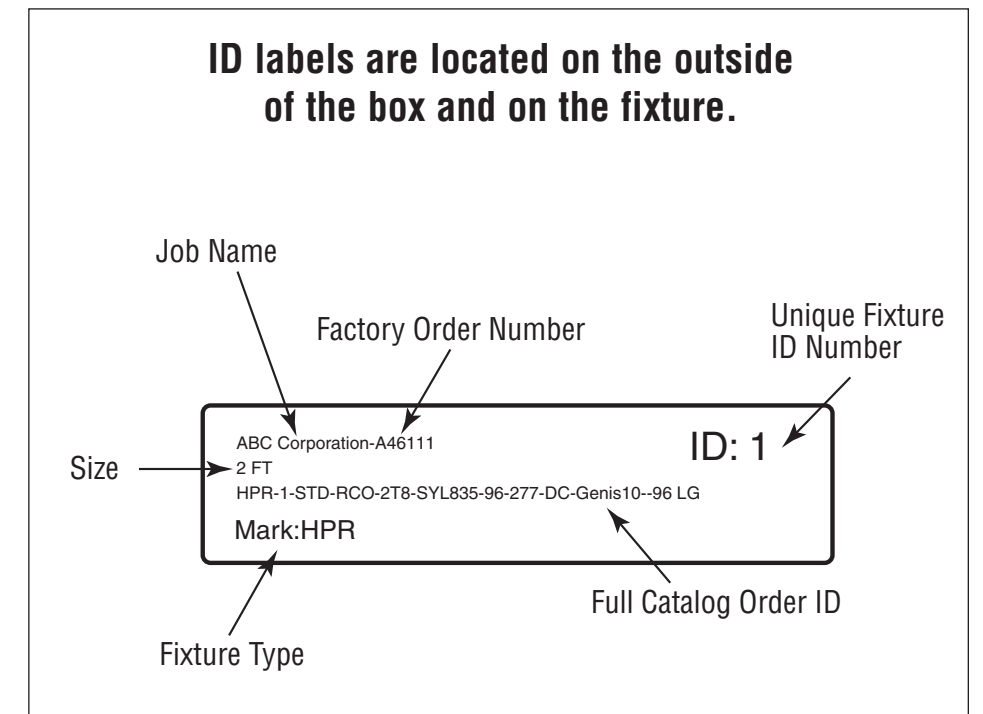
Secure fixture to T-Bar with a #8 x 1/4" self-drilling sheet metal screw (supplied by others)



Secure fixture to structure using tie-wire (supplied by others) according to code.



Remove feed plate screw and make all electrical connections.



(Installation for 2x4 fixture shown here)