

# HP-2 Wall Wash Direct Installation Instructions

## Overview

### NOTES

- All power connections should be installed according to local/national codes by a Certified Electrician.
- This installation requires **proper support** as each luminaire is being installed.
- **DO NOT attempt to join luminaires together on the floor.** Damage may result when lifted.



HELPFUL  
VIDEOS



0-10V  
Dimming



Universal &  
Robust Joints



Simple  
Plug-Together  
Wiring

**Step 1**  
Mounting & Suspension  
Page 2

**Step 2**  
Identification & Preparation  
Page 3

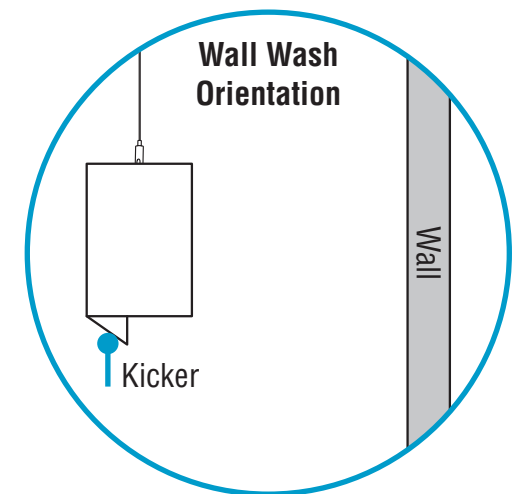
**Step 3**  
Opening Luminaires  
Page 4

**Step 4**  
Mounting Starter  
to Structure  
Page 5

**Step 5**  
Joining Luminaires  
Page 6

**Step 6**  
Securing Luminaire Joints  
Page 7

**Step 7**  
Closing Luminaires  
Page 8-9



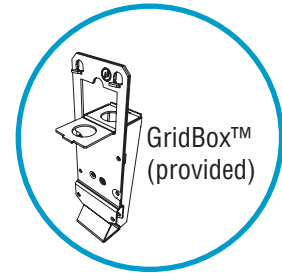
# HP-2 Wall Wash Direct Installation Instructions

## Step 1 - Mounting & Suspension

### Mounting Options

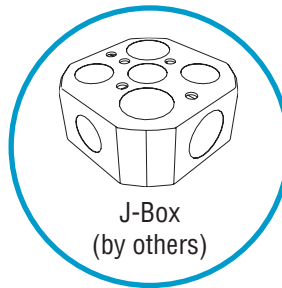
#### Option 1 T-Bar Mounting - GridBox™ and Caddy Clips

- Install GridBox™ and electrical conduit at feed locations.
- Install caddy clips at mounting point locations.
- All caddy clips are to be secured to structure, per local building codes.



#### Option 2 Drywall (C4) or other hard surfaces\* - J-Box and Anchor Bolts

- Install J-Box and electrical conduit at feed locations.
- Install anchor bolts at mounting point locations.
- All anchor bolts are to be secured to structure, per local building codes.

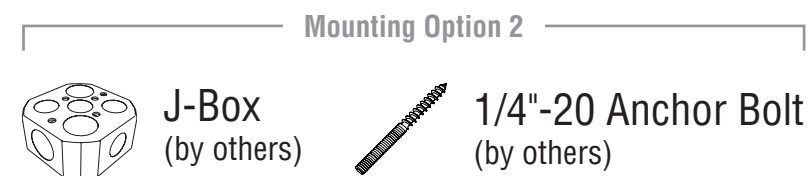
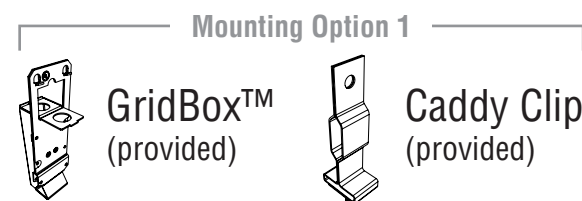
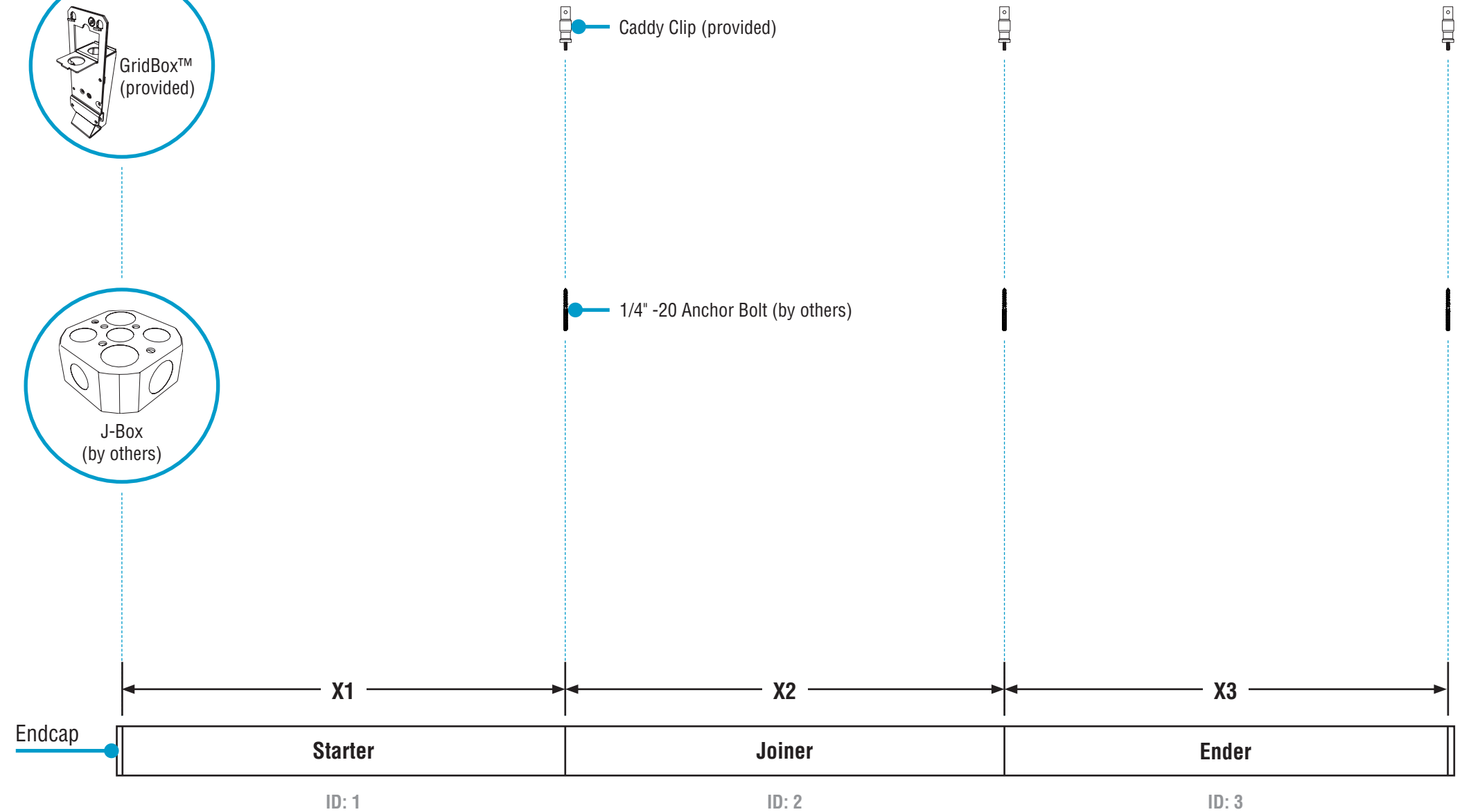


\*Other hard surfaces include: wood, sheet metal panels, steel beams, concrete or masonry. Use hardware appropriate for each surface material type.

### Suspension Locations

X = Suspension Dimensions

Refer to Record Drawings and building plans to determine exact mounting, suspension points, and power feed locations.



# HP-2 Wall Wash Direct Installation Instructions

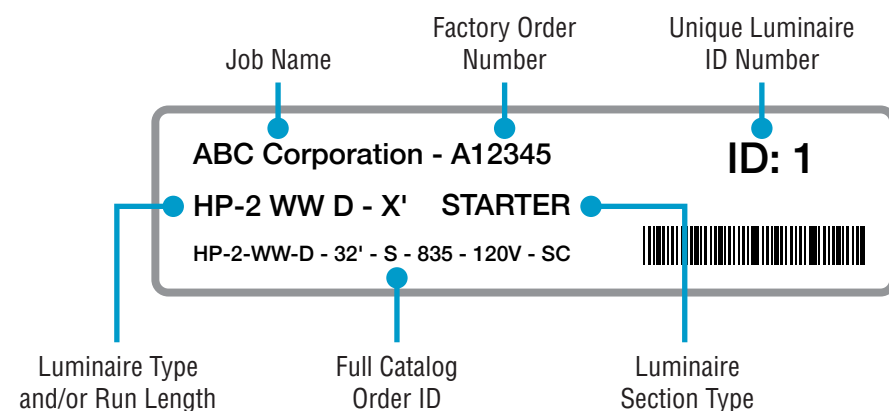
## Step 2 - Identification & Preparation

### A. Identify Luminaires



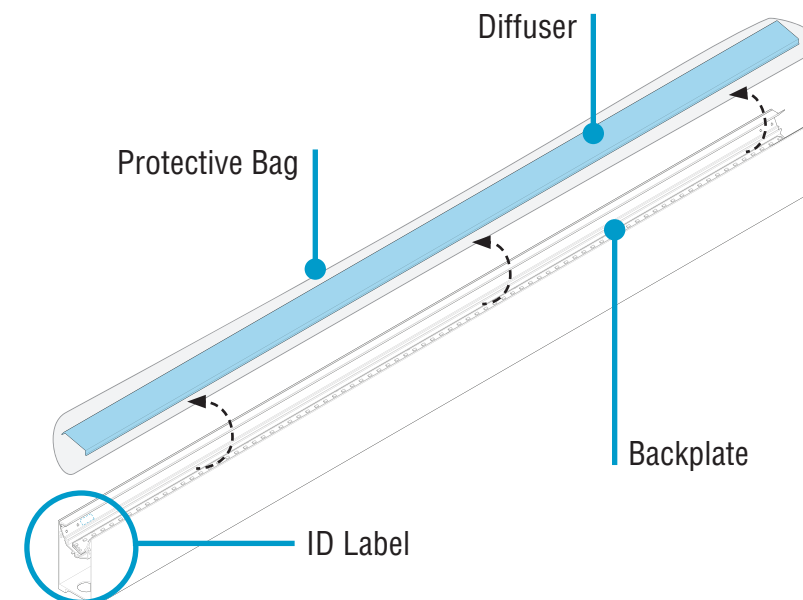
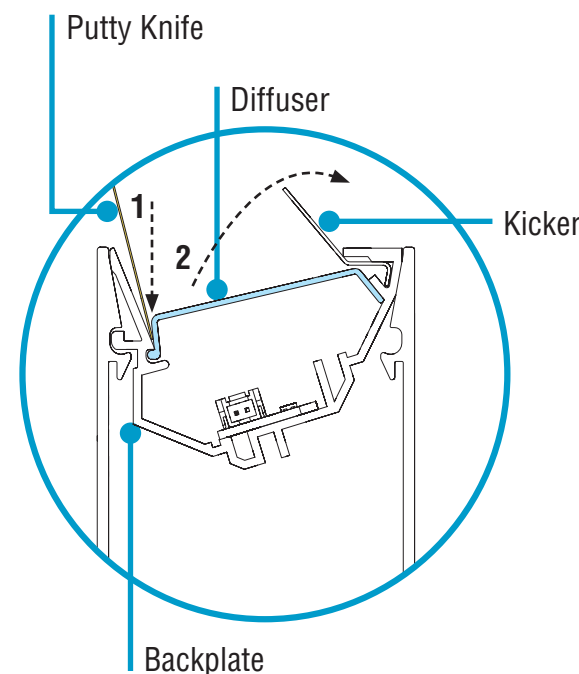
Arrange luminaires in order according to ID# at their install locations.

**CAUTION**



- Identify all luminaires by their ID label that can be found on the box, the diffuser, and inside the luminaire.
- NOTE:** Exact location of labels in these areas may vary.
- Remove all luminaires from their box.
- Refer to Record Drawings that can be found in the hardware kit.

### B. Remove Diffusers



- Slide putty knife between the backplate and diffuser.
  - Carefully separate diffuser from the backplate, keeping it inside its protective bag.
- Set aside all diffusers to prevent from getting dirty or damaged.
  - Ensure diffuser can be clearly identified back to its corresponding luminaire.
  - If part of an independent run, **PROCEED TO STEP 4.**

### Kitted Hardware

- Finelite has provided items listed here, with their Finelite part numbers. These items can be found in separate boxes shipped with the luminaire.
- Account for all parts and set aside until they are needed.
- All other hardware needed for this installation will be by others.

**Mounting Option 1**

- GridBox™**  
Part# 89159
- Dual GridBox™**  
Part# 89199  
Mounting & Suspension  
p. 2, Step 1
- Caddy Clip**  
C1 Ceiling - Part# 94001  
C2 Ceiling - Part# 94020  
C3 Ceiling - Part# 94029  
Mounting & Suspension  
p. 2, Step 1
- 3-1/2" Canopy**  
Part# 89191
- 3-1/2" Dual Feed Canopy**  
Part# 89192  
Mounting Starter to Structure  
p. 5, Step 4  
Joining Luminaires  
p. 6, Step 5
- 3-1/2" T-Bar Support Canopy**  
Part# 89193  
Mounting Starter to Structure  
p. 5, Step 4  
Joining Luminaires  
p. 6, Step 5

**Mounting Option 2**

- 5" Canopy**  
Part# 94085
- 5" Dual Feed Canopy**  
Part# 94145  
Mounting Starter to Structure  
p. 5, Step 4  
Joining Luminaires  
p. 6, Step 5
- 2" Drywall Support Canopy**  
Part# 94017  
Mounting Starter to Structure  
p. 5, Step 4  
Joining Luminaires  
p. 6, Step 5

- Yoke Bracket**  
Part# 45042
- #10-32 x 5/8" Screw**  
Part# 94144  
Securing Luminaire Joints  
p. 7, Step 6
- Gripper**  
Part# 68129  
Mounting Starter to Structure  
p. 5, Step 4  
Joining Luminaires  
p. 6, Step 5
- Safety Bar**  
Part# 93500  
Closing Luminaires  
p. 8, Step 7

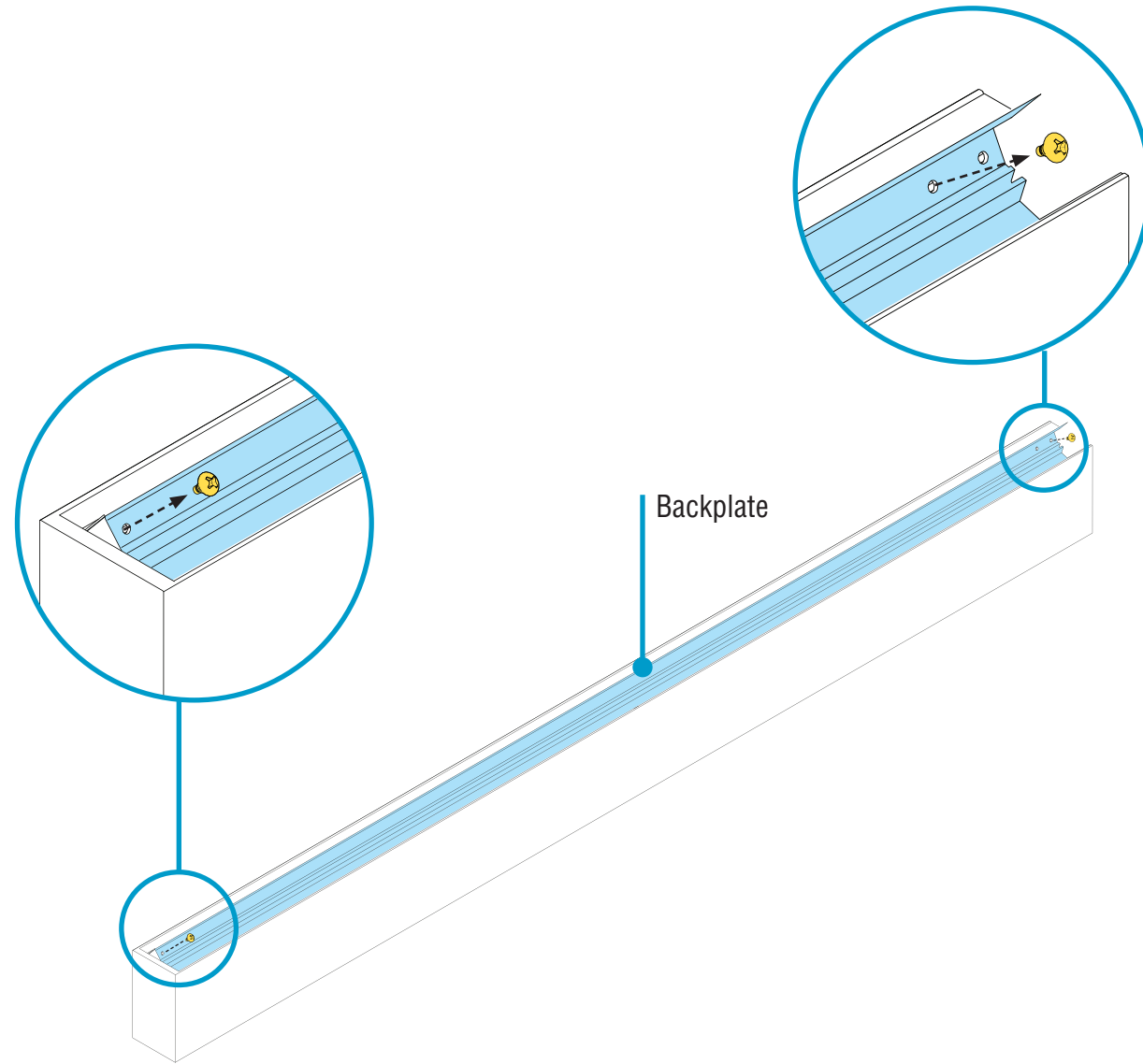
- Cable Bushing**  
Part# 94014
- Aircraft Cable**  
50" - Part# 94515-12 (Std.)  
100" - Part# 94515-14  
150" - Part# 94515-18  
Mounting Starter to Structure  
p. 5, Step 4  
Joining Luminaires  
p. 6, Step 5
- Safety Crimp**  
Part# 94514  
Closing Luminaires  
p. 8, Step 7
- #10 x 1/2" Screw**  
Part# 92081  
Closing Luminaires  
p. 9, Step 7

- Joint Cover Plate**  
Part# 20809  
Closing Luminaires  
p. 8, Step 7
- #8-18 x 1/4" Screw**  
Part# 69026  
Closing Luminaires  
p. 9, Step 7
- Slip Ring w/ Set Screw**  
Part# 94015  
Mounting Starter to Structure  
p. 5, Step 4  
Joining Luminaires  
p. 6, Step 5

# HP-2 Wall Wash Direct Installation Instructions

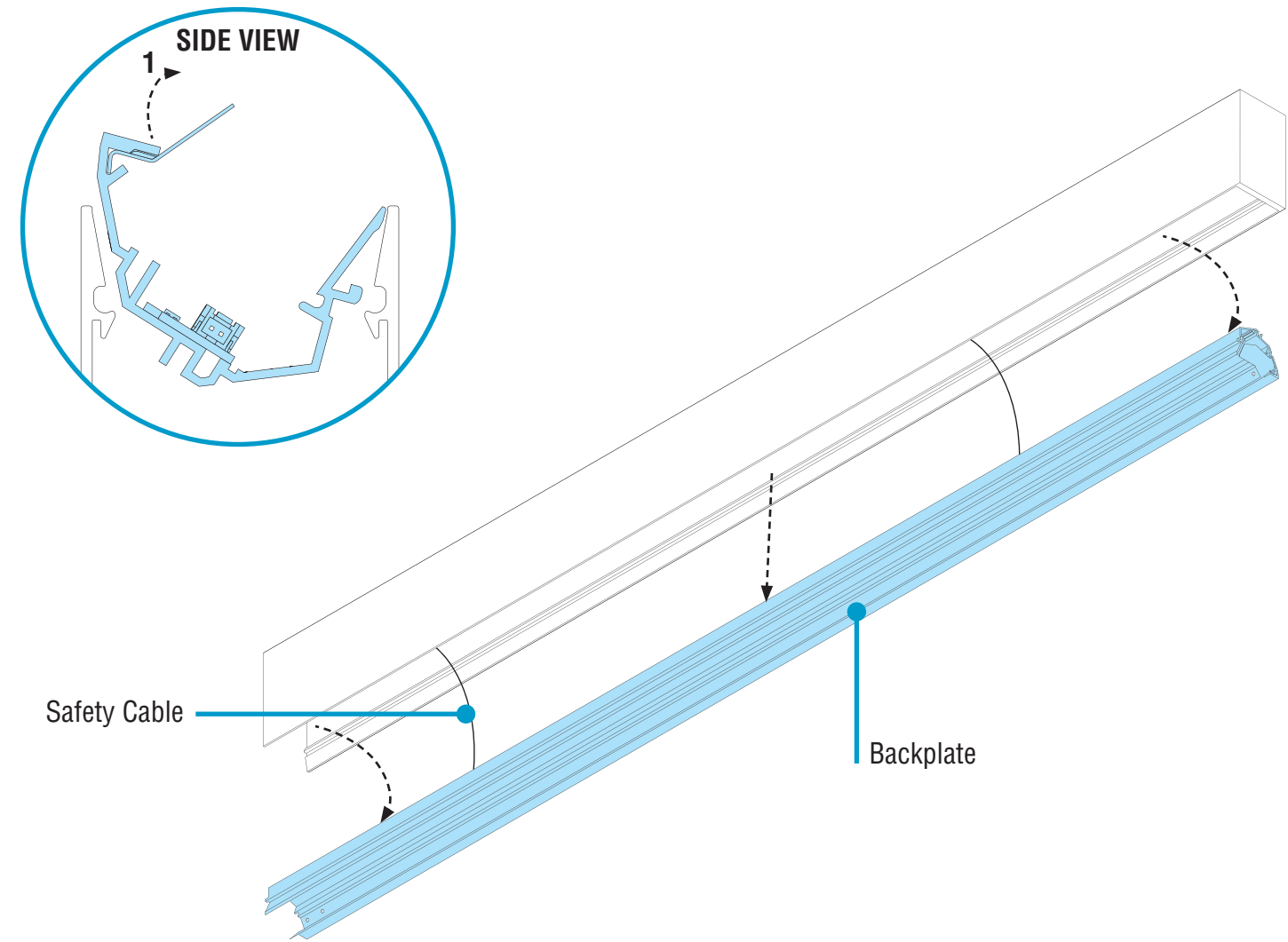
## Step 3 - Opening Luminaires

### A. Release Backplates




- **NOTE:** If installing an independent, leave backplates installed and **PROCEED TO STEP 4.**
- Release backplates from luminaire body by removing the two #8-18 x 1/4" screws from either end of the luminaire.
- **CAUTION:** Set these screws aside. Do not lose.

### B. Remove Backplates



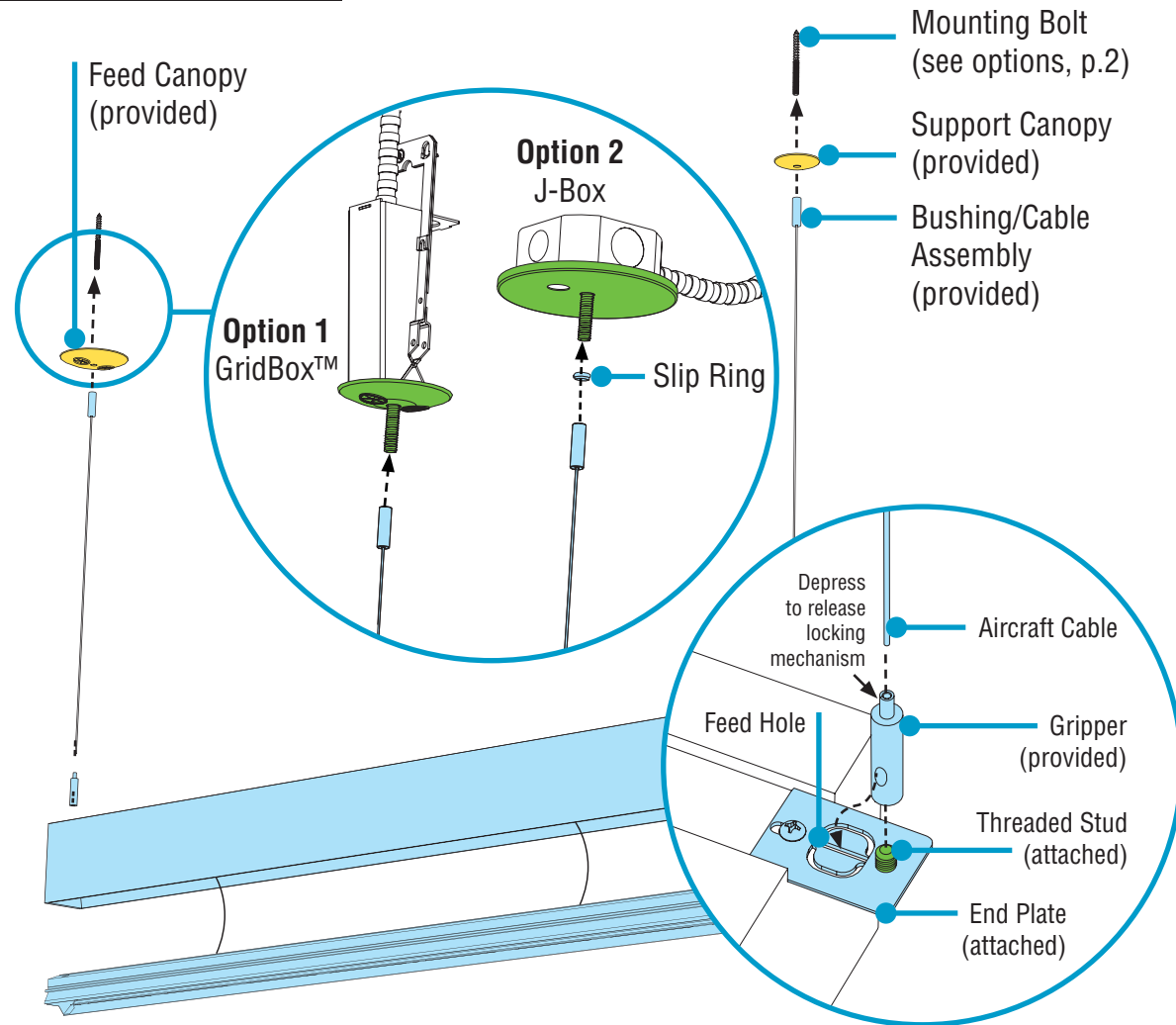
- **1.** Uninstall backplates by holding kicker and rotating **up and out** of the luminaire body.
- Keep backplate hanging with safety cables connected.

 #8-18 x 1/4" Screws  
(provided)

# HP-2 Wall Wash Direct Installation Instructions

## Step 4 - Mounting Starter to Structure

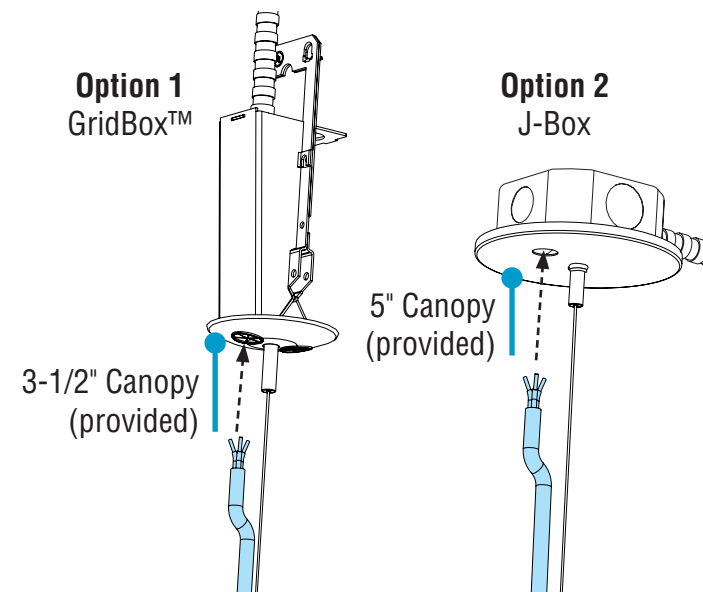
### A. Mount Starter to Structure



- Slide canopy appropriate for electrical type onto mounting bolt (anchor bolt or caddy clip bolt).
- **(Option 2)** Thread the slip ring onto anchor bolts and secure with set screw at both mounting locations.
- Thread the bushing/cable assembly onto mounting bolts.
- Attach grippers onto threaded studs found on end plates of starter luminaire.
- While properly supporting luminaire, maneuver luminaire to ceiling.
- Depress the top of the gripper to feed the aircraft cable through and lead into the feed hole.

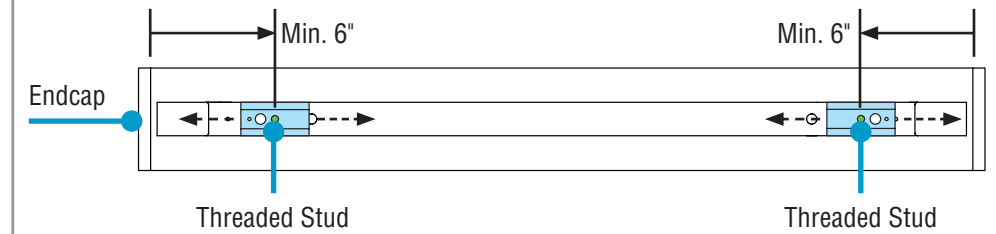
### B. Make Electrical Connections

WIRING LEGEND		
Black	Hot	Line Voltage
White	Neutral	Line Voltage
Green	Ground	
Pink	Dimming	0-10V DC
Purple	Dimming	0-10V DC



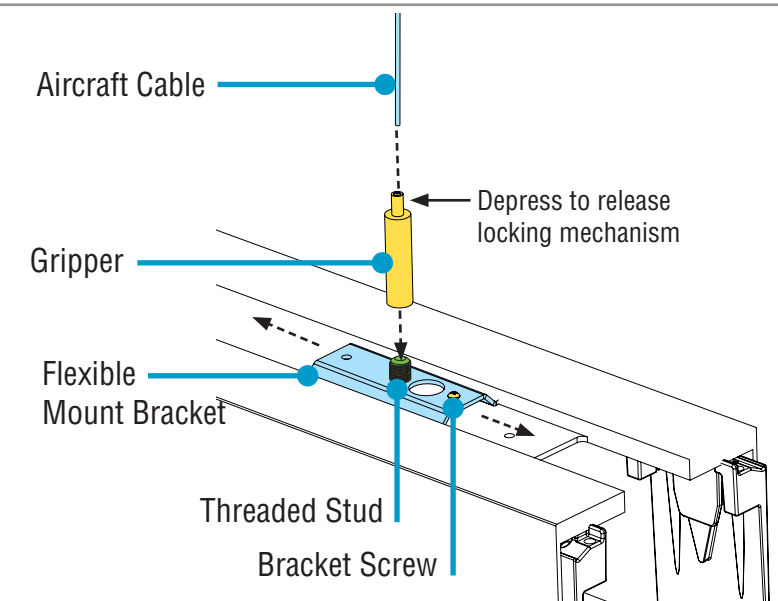
- **(Option 1)** Feed power cord through the 3-1/2" canopy and connect wires inside the GridBox™.
- **(Option 2)** Feed power cord through the 5" canopy and connect wires inside the J-Box.
- **CRITICAL:** If part of an independent run, perform all leveling. **PROCEED TO STEP 7.**

**OPTIONAL Flexible Mount** pendant brackets are adjustable for custom mounting locations.

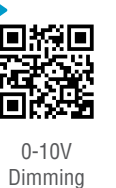
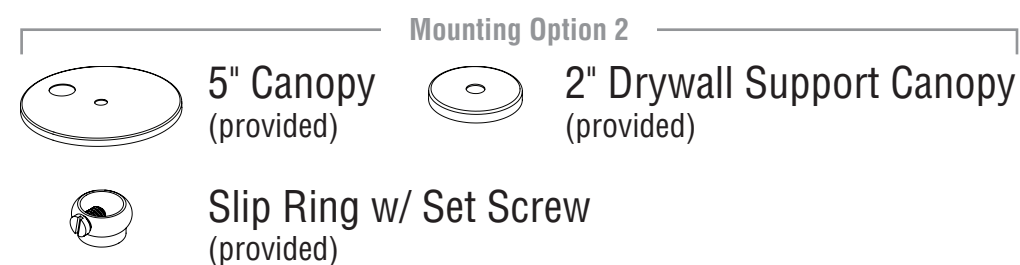
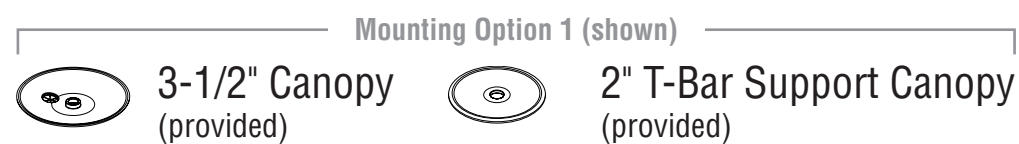


- **NOTE:** Minimum 6" from end of housing to threaded stud on pendant bracket.
- Maximum distance depends on length of luminaire (see table).

Luminaire Length	Max.
4' - 12'	24"
3' and less	12"



- Loosen (**but do not remove**) the bracket screw.
- Slide flexible mount pendant bracket to desired location and tighten screw to secure.
- Attach gripper onto threaded stud.
- Feed bushing/cable assembly through gripper by depressing top of gripper.
- Allow excess cable to rest atop luminaire. If necessary, crimp then trim. **See Step 7.**





# HP-2 Wall Wash Direct Installation Instructions

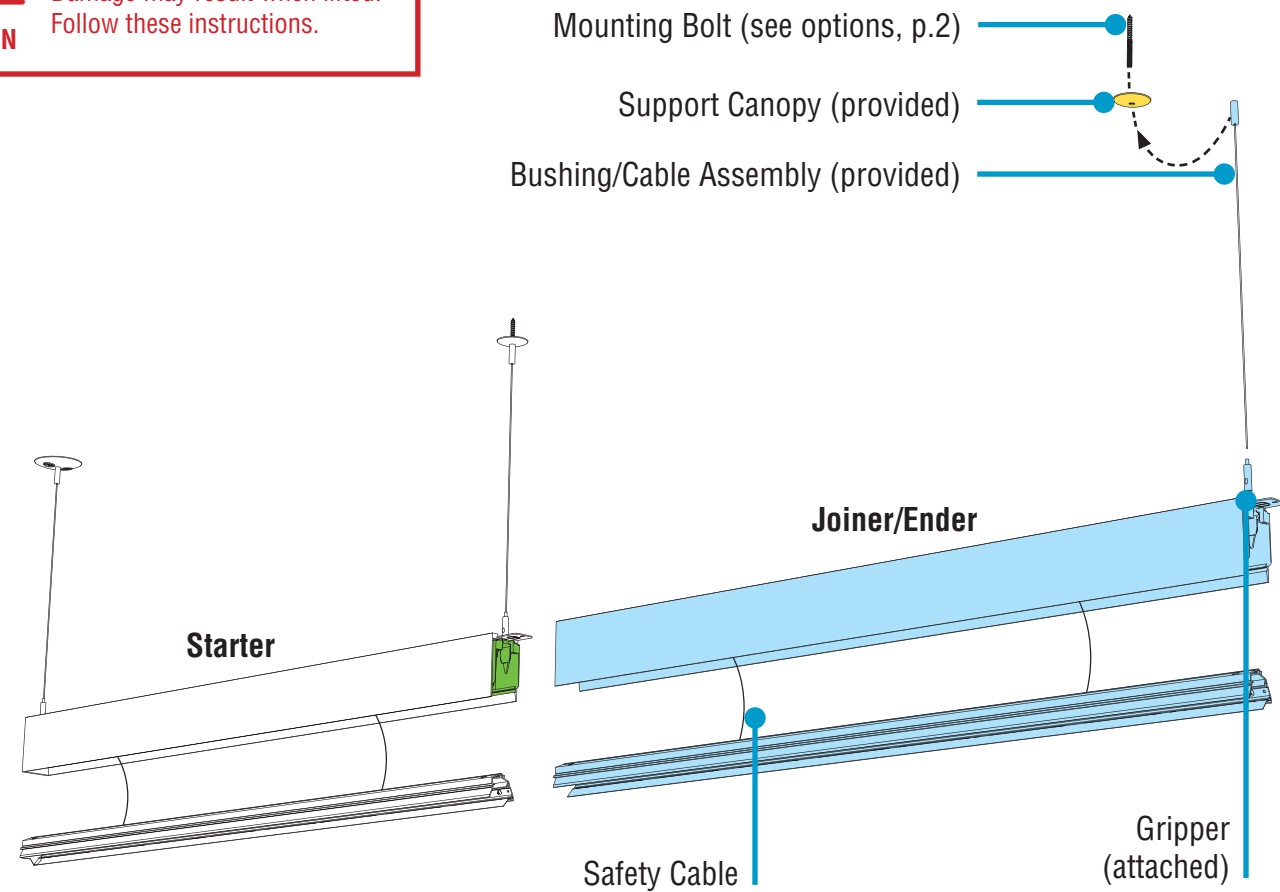
## Step 5 - Joining Luminaires

### A. Mount Joiner/Ender to Structure



**CAUTION**

**DO NOT** attempt to join luminaires together on the floor. Damage may result when lifted. Follow these instructions.



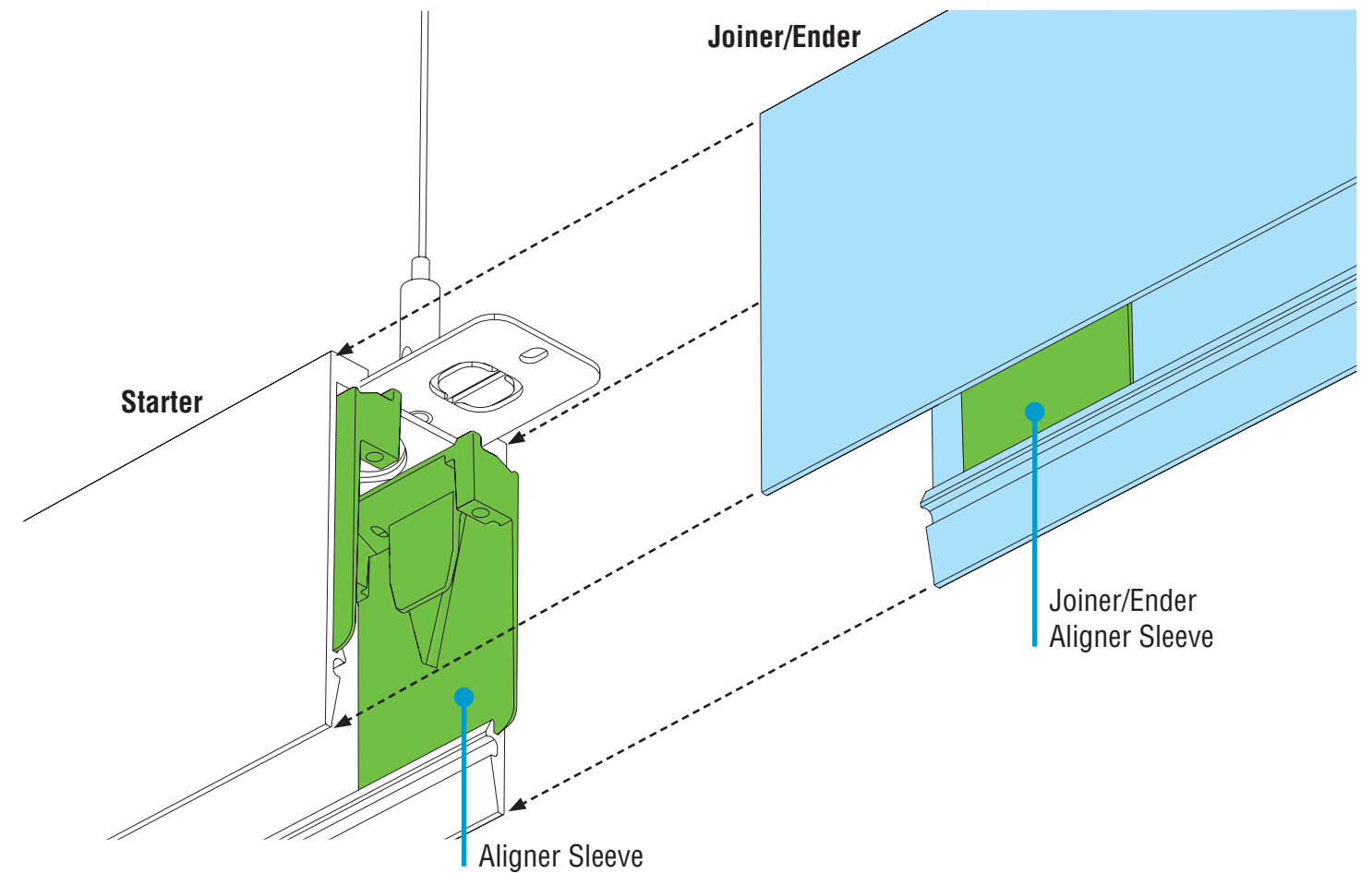
- For the joiner/ender luminaire, slide canopy appropriate for electrical type onto mounting bolt (anchor bolt or caddy clip bolt).
- Thread the bushing/cable assembly onto mounting bolt.
- Attach grippers onto threaded studs found on end plates of joiner/ender.
- While properly supporting luminaire, carefully maneuver luminaire to ceiling as backplates hang via safety cables.
- Depress the top of the gripper to feed the aircraft cable through and lead into the feed hole.

### B. Join Luminaires



**CAUTION**

Once luminaires are aligned together, **joiner luminaire is not yet secure.** Ensure it does not slide off as it rests on the starter luminaire.

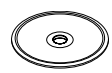


- Align joiner/ender with aligner sleeves on starter and slide together. Be careful not to damage any wiring.
- If necessary, **lift** both luminaires, then slide together.

#### Mounting Option 1 (shown)



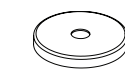
3-1/2" Canopy (provided)



2" T-Bar Support Canopy (provided)



5" Canopy (provided)



2" Drywall Support Canopy (provided)



Slip Ring w/ Set Screw (provided)



Bushing/Cable Assembly (provided)

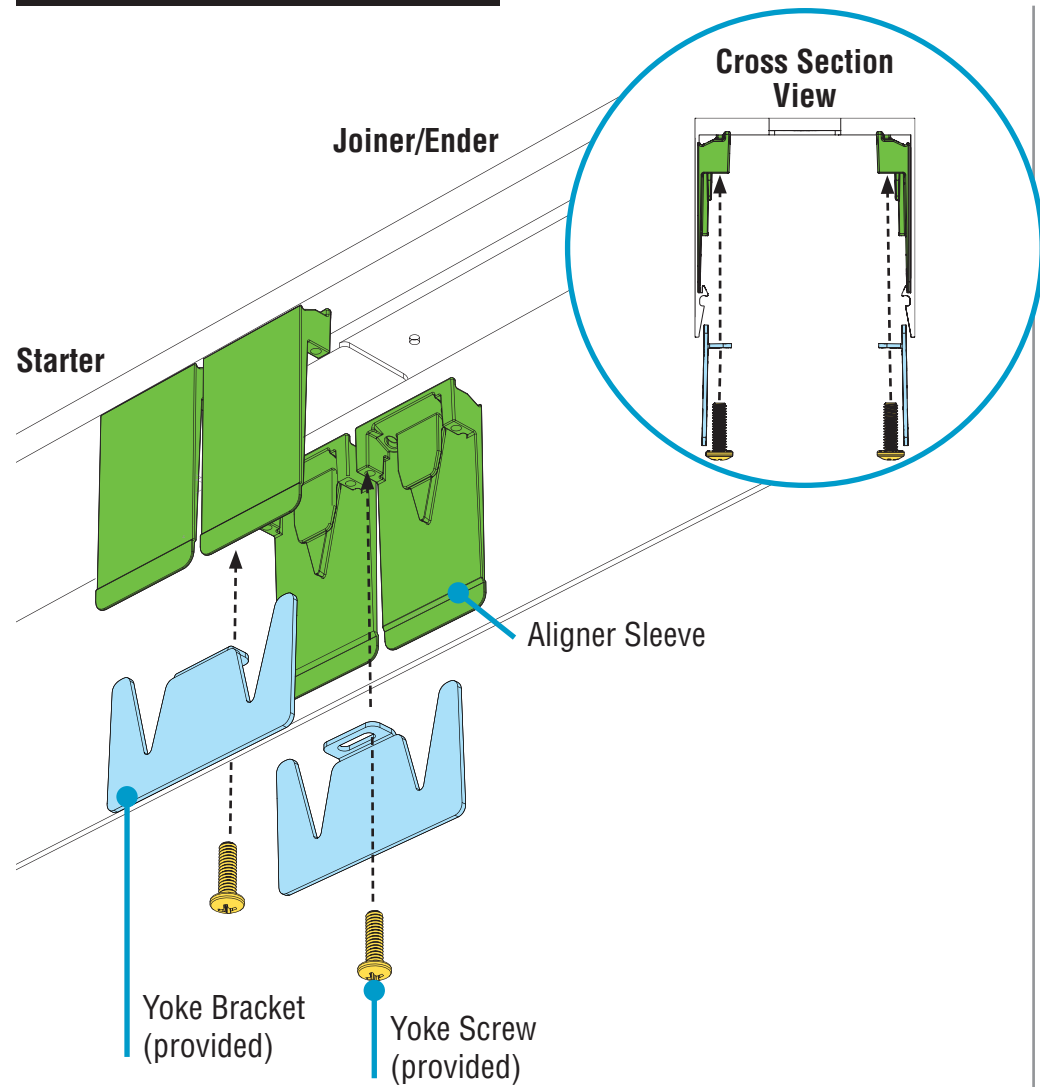


Gripper (provided)

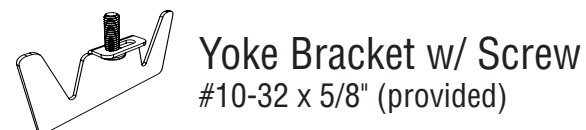
# HP-2 Wall Wash Direct Installation Instructions

## Step 6 - Securing Luminaire Joints

### A. Secure Joint with Yoke Brackets

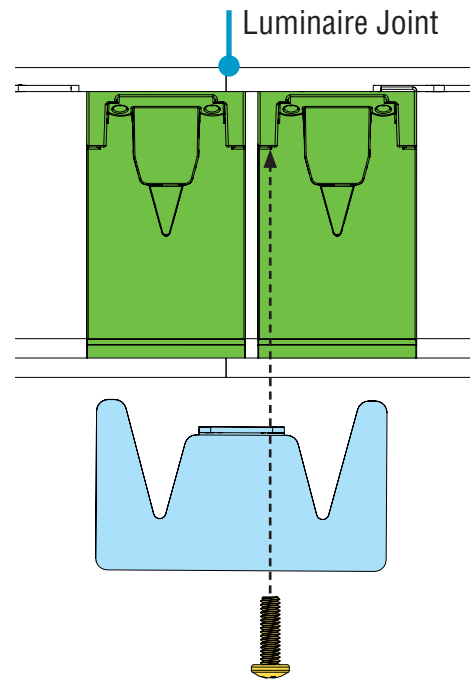


- Before installing yoke brackets, ensure the joining ends of luminaires meet flush and square.
- **CRITICAL:** Ensure yoke brackets properly engage with aligner sleeves.
- Secure joint by threading (but not yet tightening) yoke screws through yoke brackets and into the aligner sleeves.
- Tighten yoke screws<sup>1</sup> until joint seam of luminaires is closed.

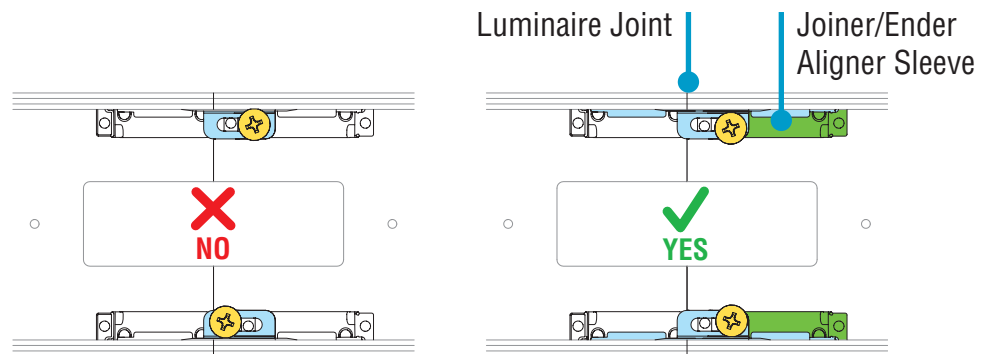


<sup>1</sup> Screwdriver with 6" bit required.

### IN ALIGNMENT

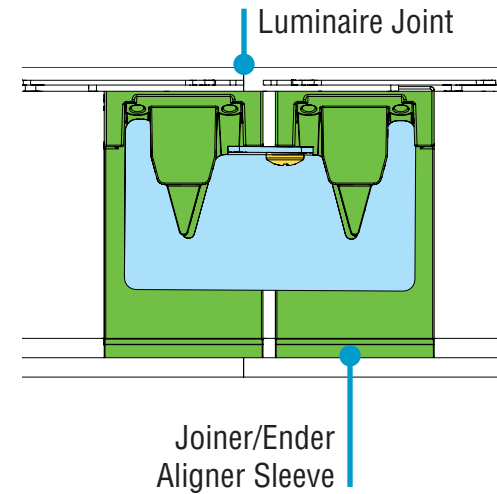


### YOKE SCREW ALIGNMENT Bottom-Up View

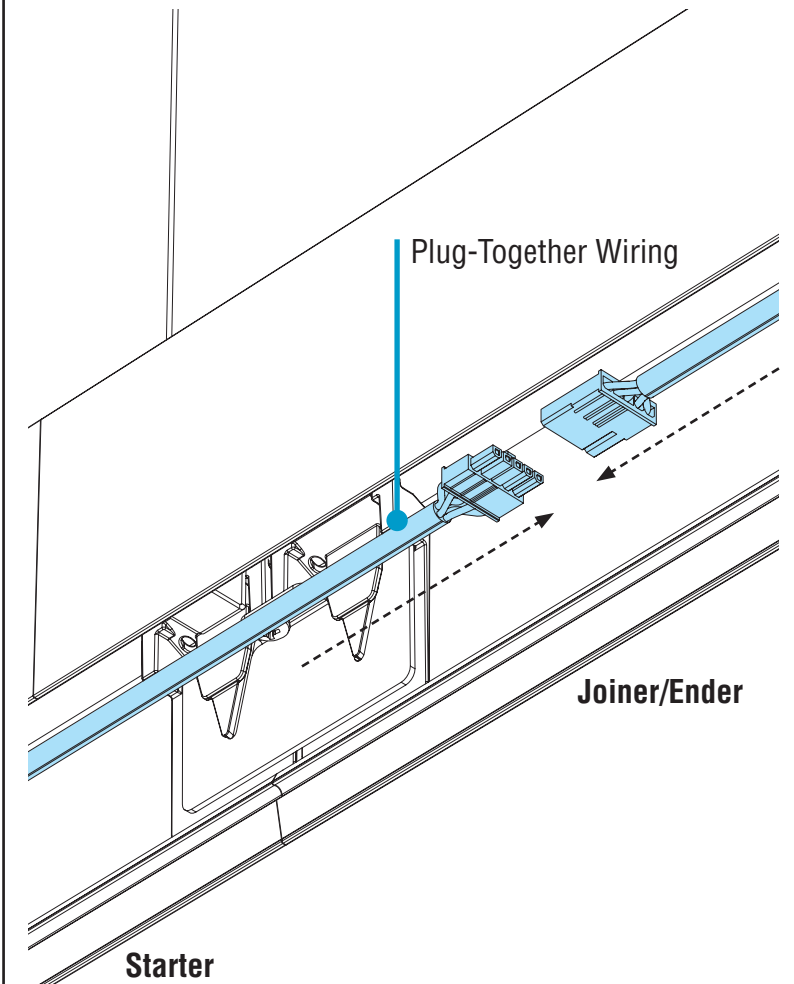


**NOTE:** Yoke screws should be installed directly across from each other, not diagonally, and in holes furthest from the joint line. One yoke screw per one yoke bracket.

### CORRECTLY INSTALLED



### B. Make Electrical Connections



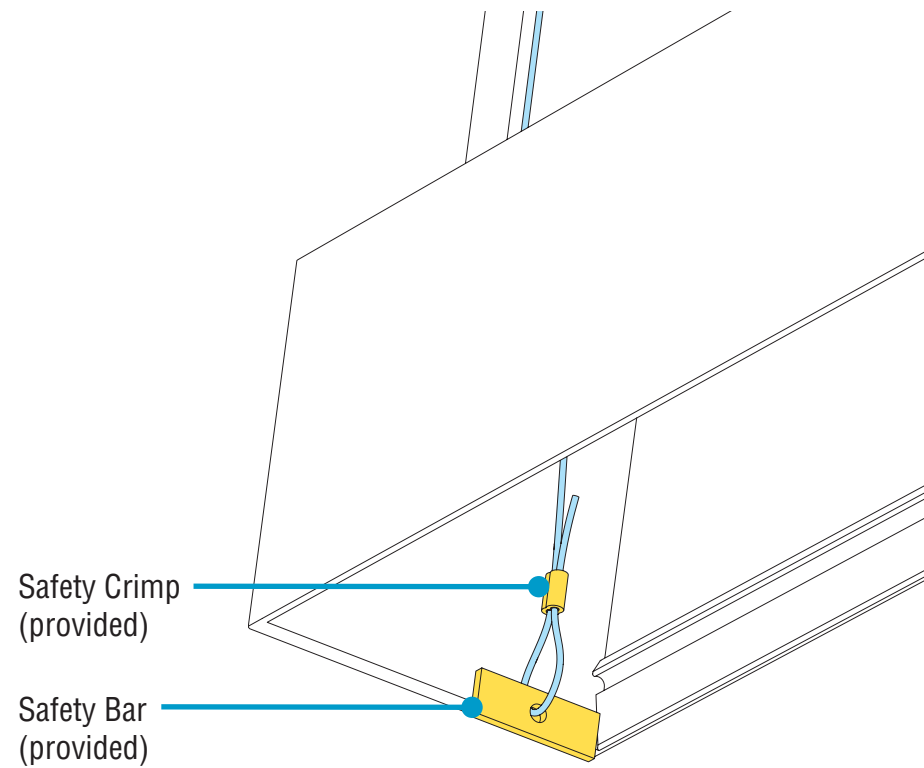
- Connect plug-together wiring.



# HP-2 Wall Wash Direct Installation Instructions

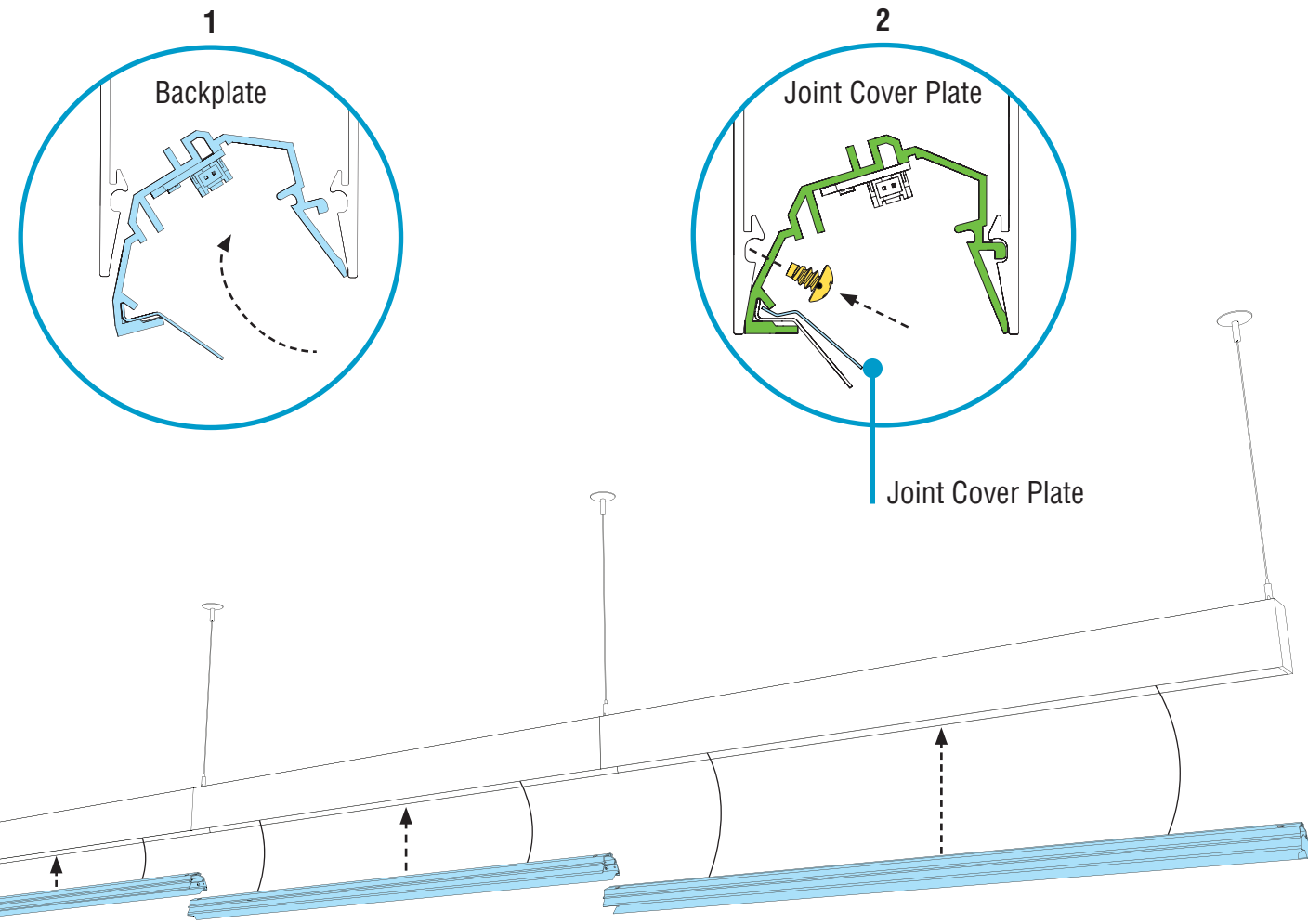
## Step 7 - Closing Luminaires

### A. Crimp Cables

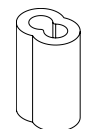


- Ensure all leveling has been performed prior to applying safety crimp.
- Run excess cable through feed hole.
- Loop cable through safety crimp and safety bar, then back through safety crimp.
- Crimp, then cut excess cable.
- Tuck safety loop inside luminaire.

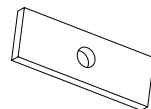
### B. Replace Backplates



- 1. Carefully reinstall backplate into luminaire by inserting and rotating.
- 2. Install joint cover plate by inserting into backplate and installing two #8-18 x 1/4" screws at the joint.



Safety Crimp  
(provided)



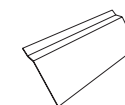
Safety Bar  
(provided)



#10 x 1/2" Screw  
(provided)



#8-18 x 1/4" Screws  
(provided)



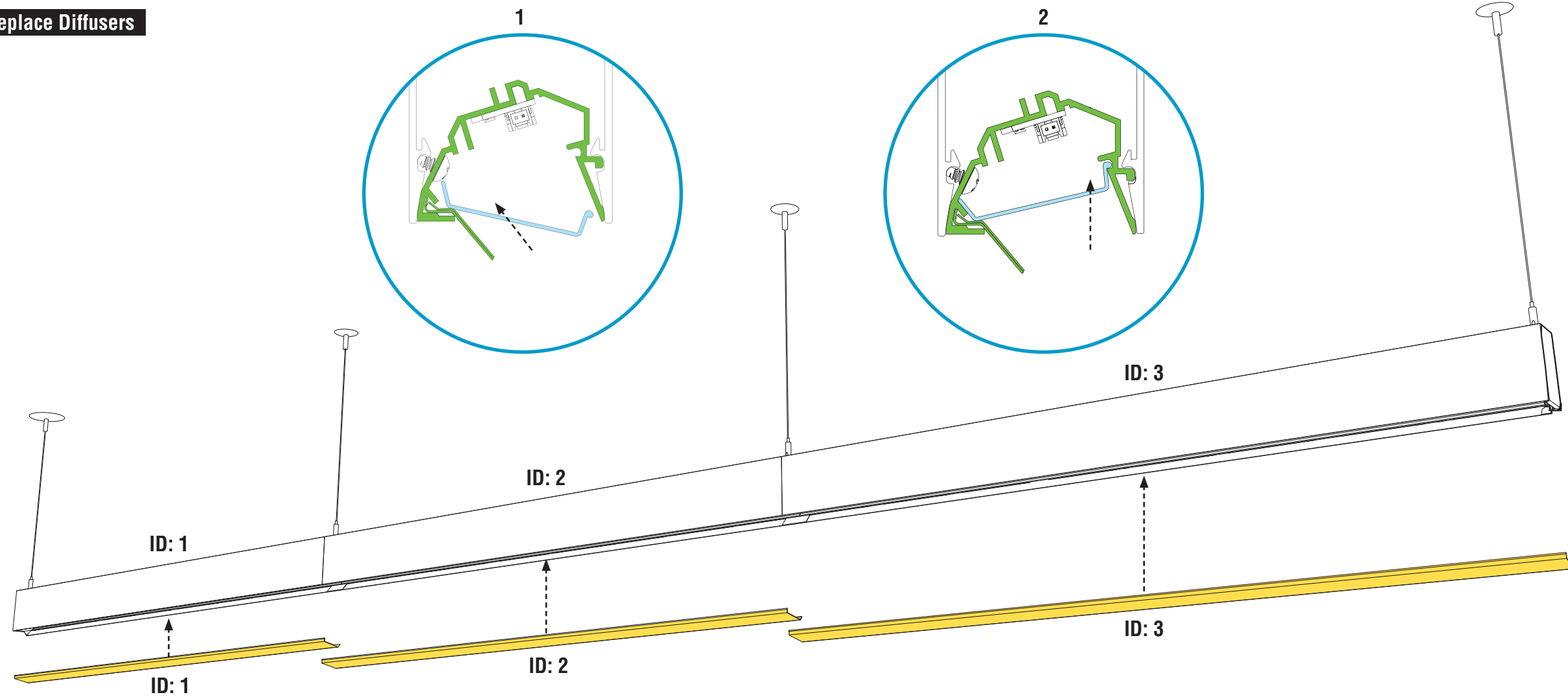
Joint Cover Plate  
(provided)



# HP-2 Wall Wash Direct Installation Instructions

## Step 7 - Closing Luminaires

### C. Final Step - Replace Diffusers



- **NOTE:** If your installation includes a battery backup, please see addendum (98333) that should be included with your kitting package.
- Remove diffusers from protective plastic bag.
- **CAUTION:** Wear gloves to keep diffuser surface clean.
- **CRITICAL:** Be sure to install correct diffuser to its corresponding luminaire ID.
- Install diffusers into luminaire body, ensuring they are in place.
- **1.** Slide the side of the diffuser without a notch into the luminaire.
- **2.** Push the side of the diffuser that has a notch until click sound is heard.
- Turn power on to luminaire.