

HP-2 / HP-6 Direct Installation Instructions

Regressed Luminaires Use Same Instructions

Overview

NOTES

- If luminaire contains a sensor refer to the Sensor Addendum.
- All power connections should be installed according to local/national codes by a Certified Electrician.
- This installation requires **proper support** as each luminaire is being installed.
- **DO NOT attempt to join luminaires together on the floor.** Damage may result when lifted.



HELPFUL
VIDEOS



Louver
Removal



0-10V
Dimming



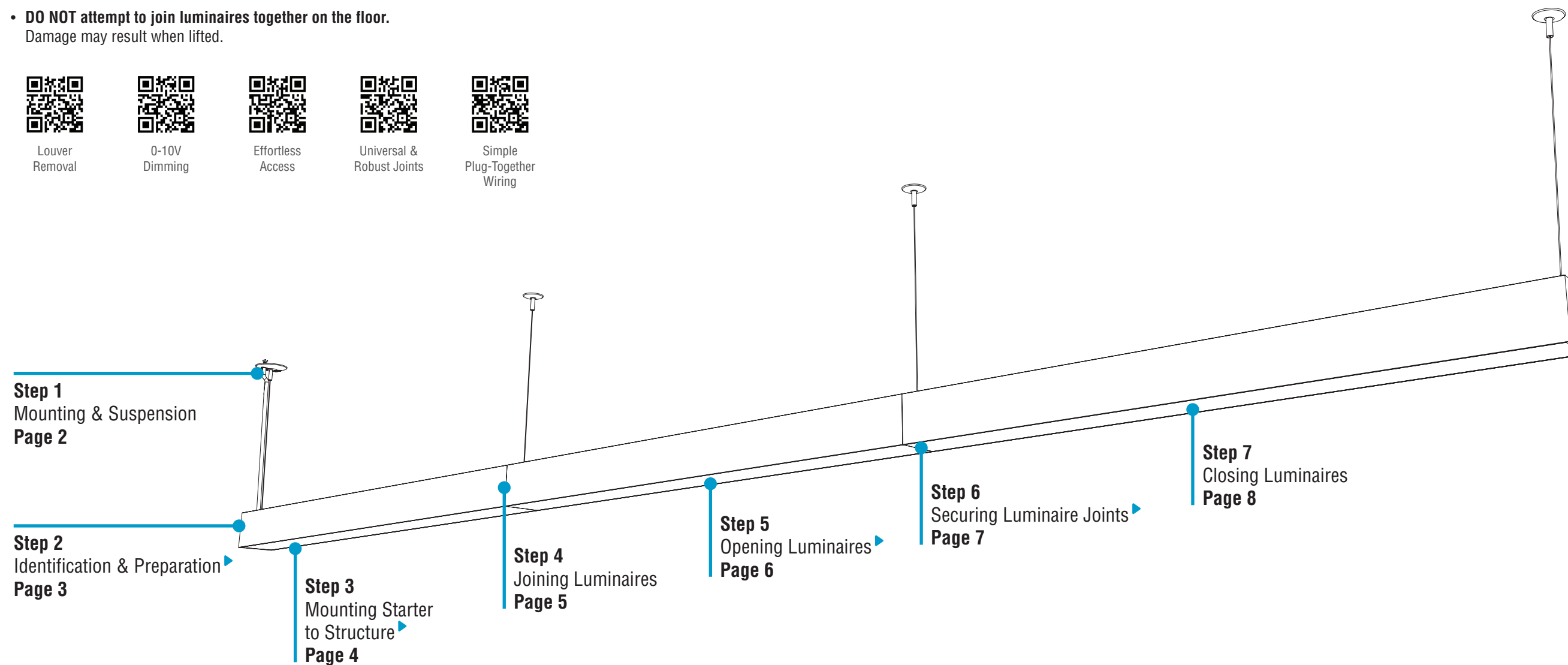
Effortless
Access



Universal &
Robust Joints



Simple
Plug-Together
Wiring



Step 1
Mounting & Suspension
Page 2

Step 2
Identification & Preparation
Page 3

Step 3
Mounting Starter
to Structure
Page 4

Step 4
Joining Luminaires
Page 5

Step 5
Opening Luminaires
Page 6

Step 6
Securing Luminaire Joints
Page 7

Step 7
Closing Luminaires
Page 8

HP-2 / HP-6 Direct Installation Instructions

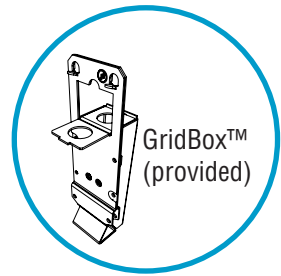
Step 1 - Mounting & Suspension

Mounting Options

Option 1

T-Bar Mounting - GridBox™ and Caddy Clips

- Install GridBox™ and electrical conduit at feed locations.
- Install caddy clips at mounting point locations.
- All caddy clips are to be secured to structure, per local building codes.

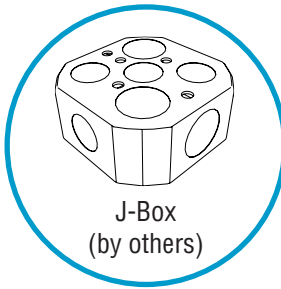


or

Option 2

Drywall (C4) or other hard surfaces* - J-Box and Anchor Bolts

- Install J-Box and electrical conduit at feed locations.
- Install anchor bolts at mounting point locations.
- All anchor bolts are to be secured to structure, per local building codes.

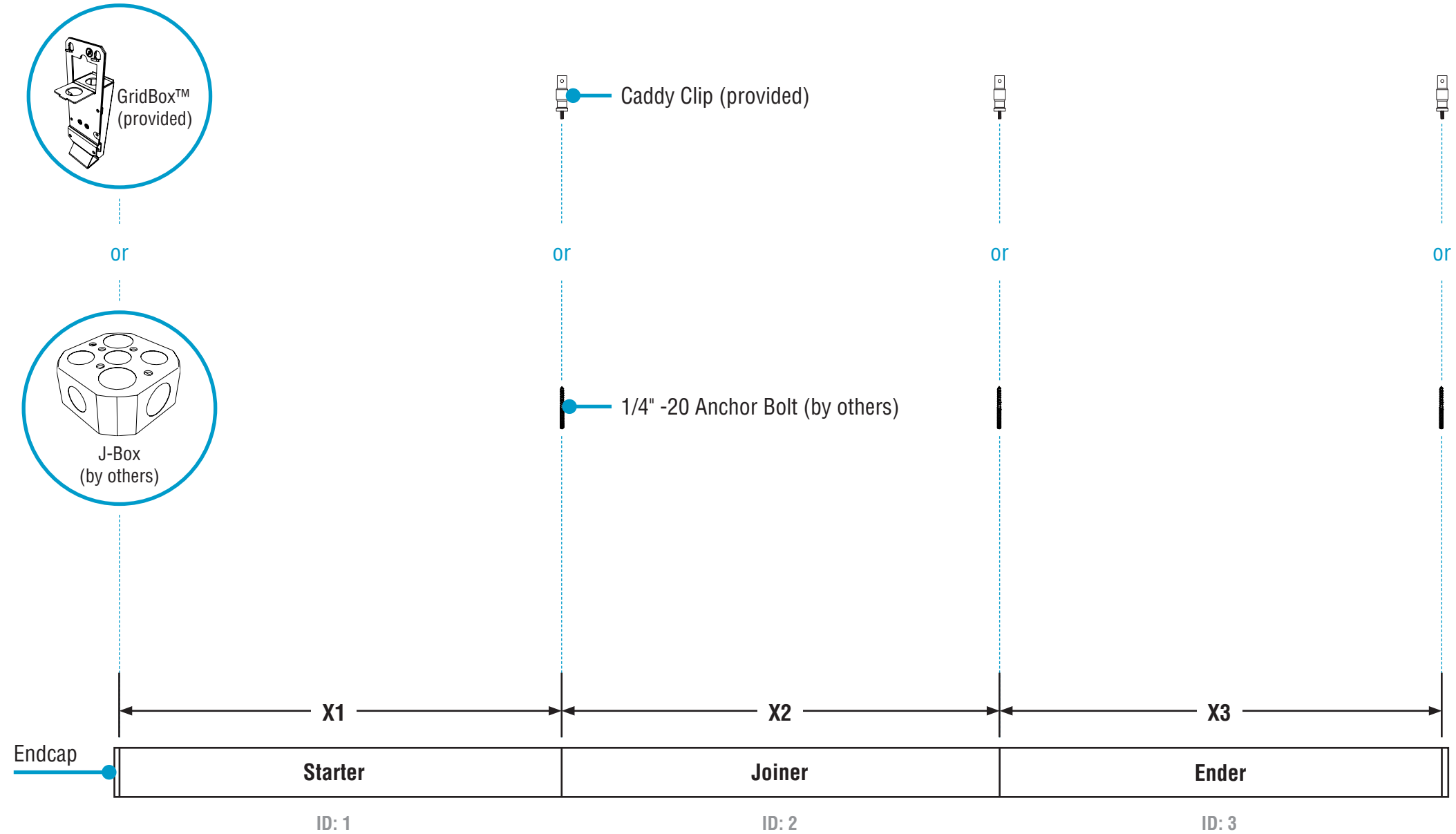


* Other hard surfaces include: wood, sheet metal panels, steel beams, concrete or masonry. Use hardware appropriate for each surface material type.

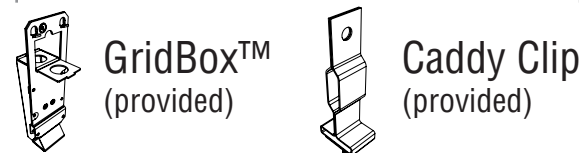
Suspension Locations

X = Suspension Dimensions

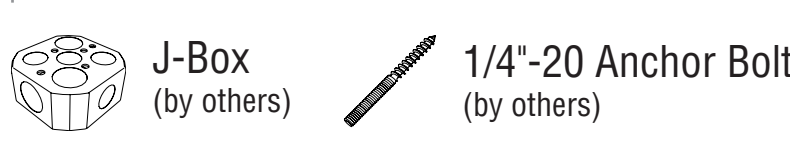
Refer to Record Drawings and building plans to determine exact mounting, suspension points, and power feed locations.



Mounting Option 1



Mounting Option 2



HP-2 / HP-6 Direct Installation Instructions

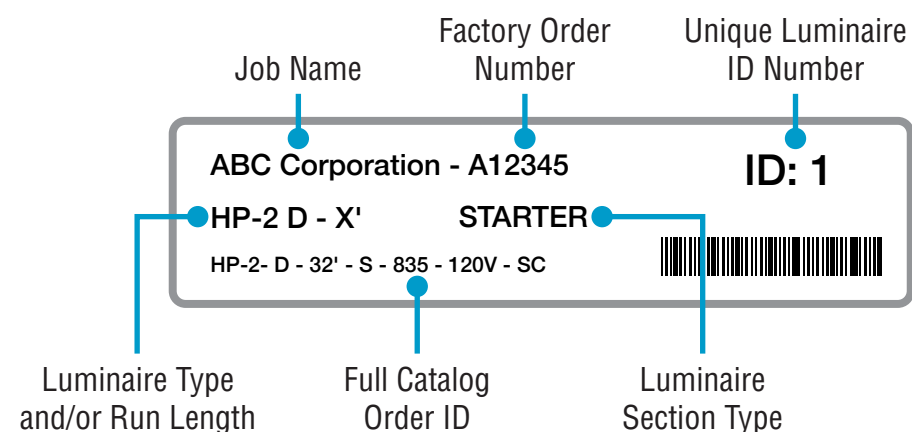
Step 2 - Identification & Preparation

A. Identify Luminaires



CAUTION

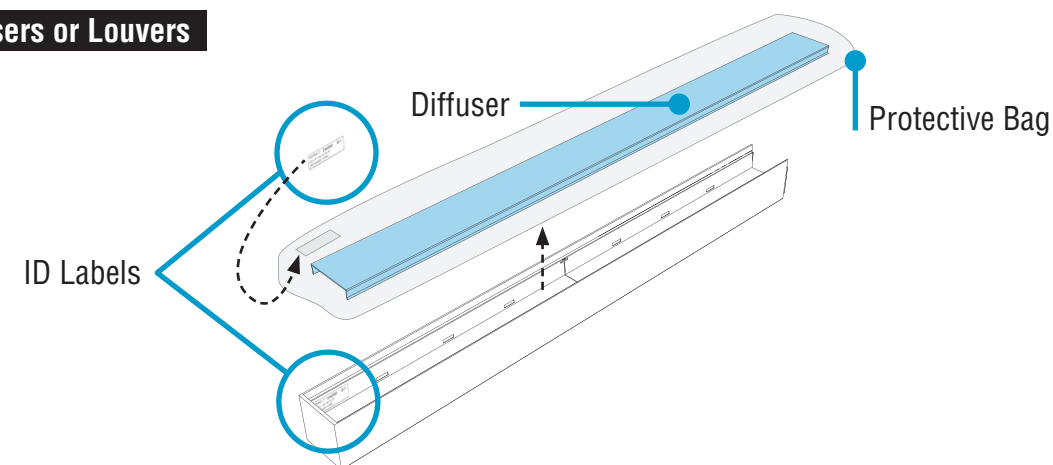
Arrange luminaires in order according to ID# at their install locations.



- Identify all luminaires by their ID label that can be found on the box, the protective bag, and inside the luminaire.
- **NOTE:** Exact location of labels in these areas may vary.
- Remove all luminaires from their box.
- Refer to Record Drawings that can be found in the hardware kit.

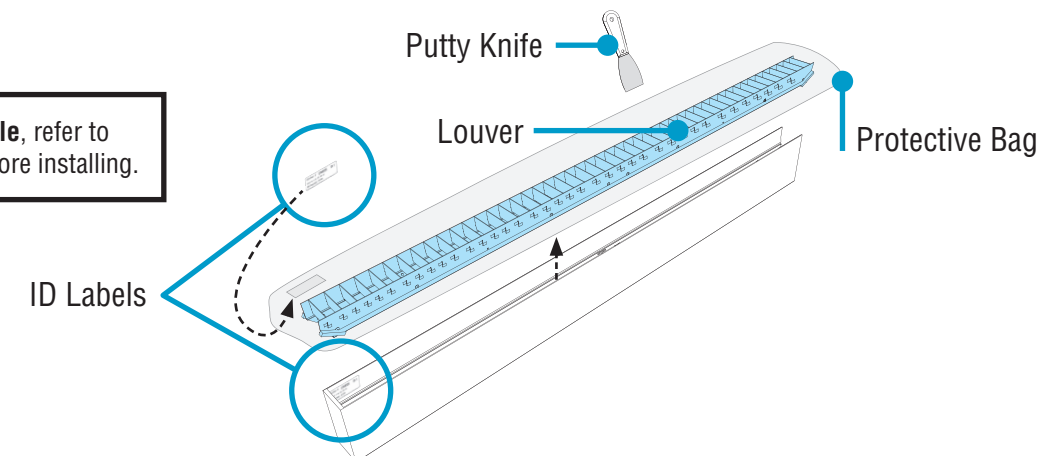
B. Remove Diffusers or Louvers

Remove Diffusers



Remove Louvers (HP-2 ONLY)

NOTE: For White Cross Blade Baffle, refer to Baffle Tether Addendum before installing.

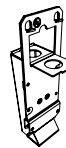


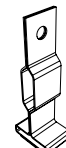



- Carefully remove all diffusers or louvers, keeping them inside their protective bags.
- **FOR LOUVERS:** Release louvers by inserting the blade of a putty knife approximately 1" down behind louver edges and pry up.
- Set aside all diffusers or louvers to prevent from getting dirty or damaged.
- Ensure diffusers or louvers can be clearly identified back to their corresponding luminaire.



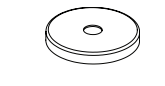
Kitted Hardware

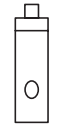
- Finelite has provided items listed here, with their Finelite part numbers. These items can be found in separate boxes shipped with the luminaire.
- Account for all parts and set aside until they are needed.
- All other hardware needed for this installation will be by others.


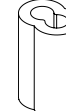
Mounting Option 1

	GridBox™ Part# 89159		3-1/2" Canopy Part# 89191
	Dual GridBox™ Part# 89199 Mounting & Suspension p. 2, Step 1		3-1/2" Dual Feed Canopy Part# 89192 Mounting Starter to Structure p. 4, Step 3 Joining Luminaires p. 5, Step 4
	Caddy Clip C1 Ceiling - Part# 94001 C2 Ceiling - Part# 94020 C3 Ceiling - Part# 94029 Mounting & Suspension p. 2, Step 1		3-1/2" T-Bar Support Canopy Part# 89193 Mounting Starter to Structure p. 4, Step 3 Joining Luminaires p. 5, Step 4

Mounting Option 2

	5" Canopy Part# 94085
	5" Dual Feed Canopy Part# 94145 Mounting Starter to Structure p. 4, Step 3 Joining Luminaires p. 5, Step 4
	2" Drywall Support Canopy Part# 94017 Mounting Starter to Structure p. 4, Step 3 Joining Luminaires p. 5, Step 4

	Yoke Bracket Part# 45042
	#10-32 x 5/8" Screw Part# 94144 Securing Luminaire Joints p. 7, Step 6
	Gripper Part# 68129 Mounting Starter to Structure p. 4, Step 3 Joining Luminaires p. 5, Step 4
	Safety Bar Part# 93500 Closing Luminaires p. 8, Step 6

	Cable Bushing Part# 94014
	Aircraft Cable 50" - Part# 94515-12 (Std.) 100" - Part# 94515-14 150" - Part# 94515-18 Mounting Starter to Structure p. 4, Step 3 Joining Luminaires p. 5, Step 4
	Safety Crimp Part# 94514 Closing Luminaires p. 8, Step 6

	Slip Ring w/ Set Screw Part# 94015 Mounting Starter to Structure p. 4, Step 3 Joining Luminaires p. 5, Step 4
---	---

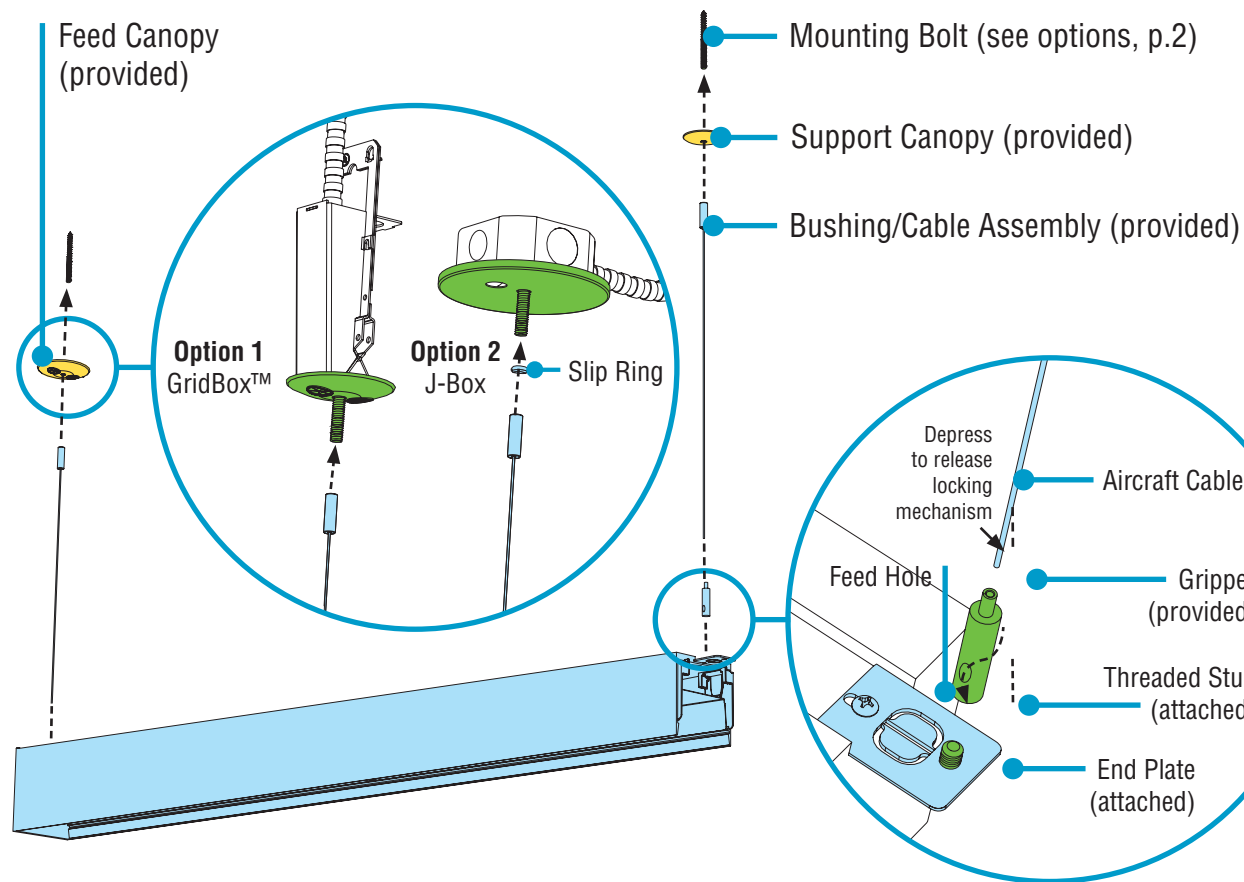


Louver Removal

HP-2 / HP-6 Direct Installation Instructions

Step 3 - Mounting Starter to Structure

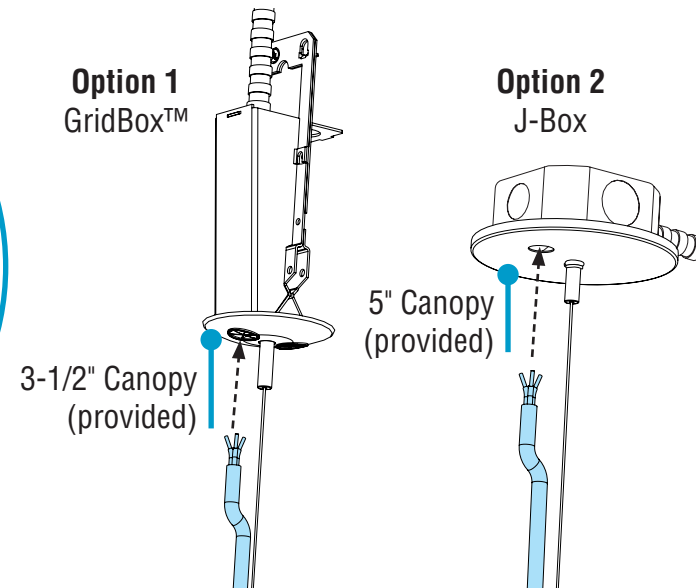
A. Mount Starter to Structure



- Slide canopy appropriate for electrical type onto mounting bolt (anchor bolt or caddy clip bolt).
- **(Option 2)** Thread the slip ring onto anchor bolts and secure with set screw at both mounting locations.
- Thread the bushing/cable assembly onto mounting bolts.
- Attach grippers onto threaded studs found on end plates of starter luminaire.
- While properly supporting luminaire, maneuver luminaire to ceiling.
- Depress the top of the gripper to feed the aircraft cable through and lead into the feed hole.

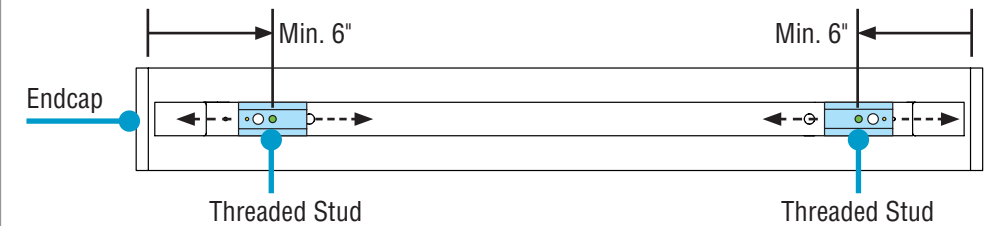
B. Make Electrical Connections

WIRING LEGEND		
Black	Hot	Line Voltage
White	Neutral	Line Voltage
Green	Ground	
Pink	Dimming	0-10V DC
Purple	Dimming	0-10V DC



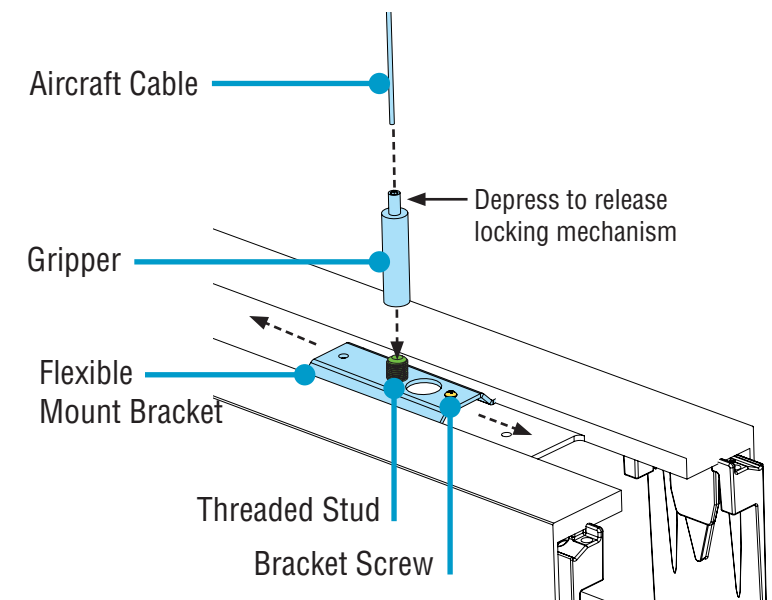
- **(Option 1)** Feed power cord through the 3-1/2" canopy and connect wires inside the GridBox™.
- **(Option 2)** Feed power cord through the 5" canopy and connect wires inside the J-Box.
- **CRITICAL:** If installing an independent luminaire, perform all leveling. **PROCEED TO STEP 5.**

OPTIONAL Flexible Mount pendant brackets are adjustable for custom mounting locations.

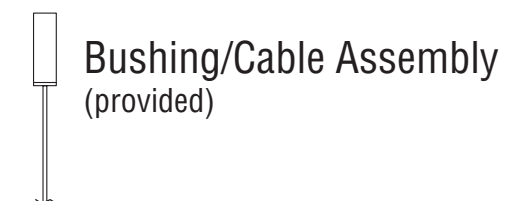
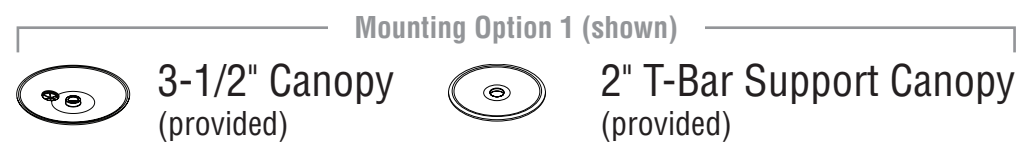


- **NOTE:** Minimum 6" from end of housing to threaded stud on pendant bracket.
- Maximum distance depends on length of luminaire (see table).

Luminaire Length	Max.
4' - 12'	24"
3' and less	12"



- Loosen **(but do not remove)** the bracket screw.
- Slide flexible mount pendant bracket to desired location and tighten screw to secure.
- Attach gripper onto threaded stud.
- Feed bushing/cable assembly through gripper by depressing top of gripper.
- Allow excess cable to rest atop luminaire. Crimp then trim, if necessary.



HP-2 / HP-6 Direct Installation Instructions

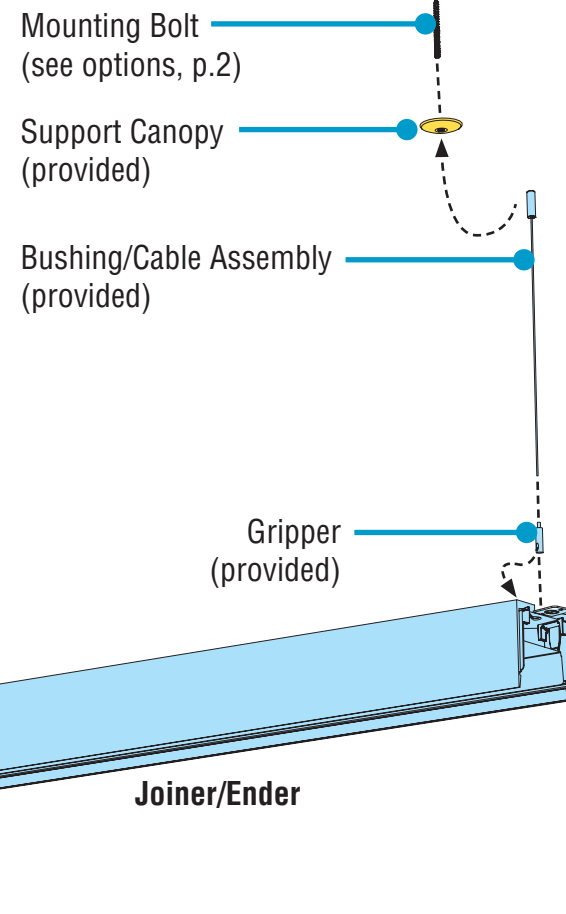
Step 4 - Joining Luminaires

A. Mount Joiner/Ender to Structure



CAUTION

DO NOT attempt to join luminaires together on the floor. Damage may result when lifted. Follow these instructions.



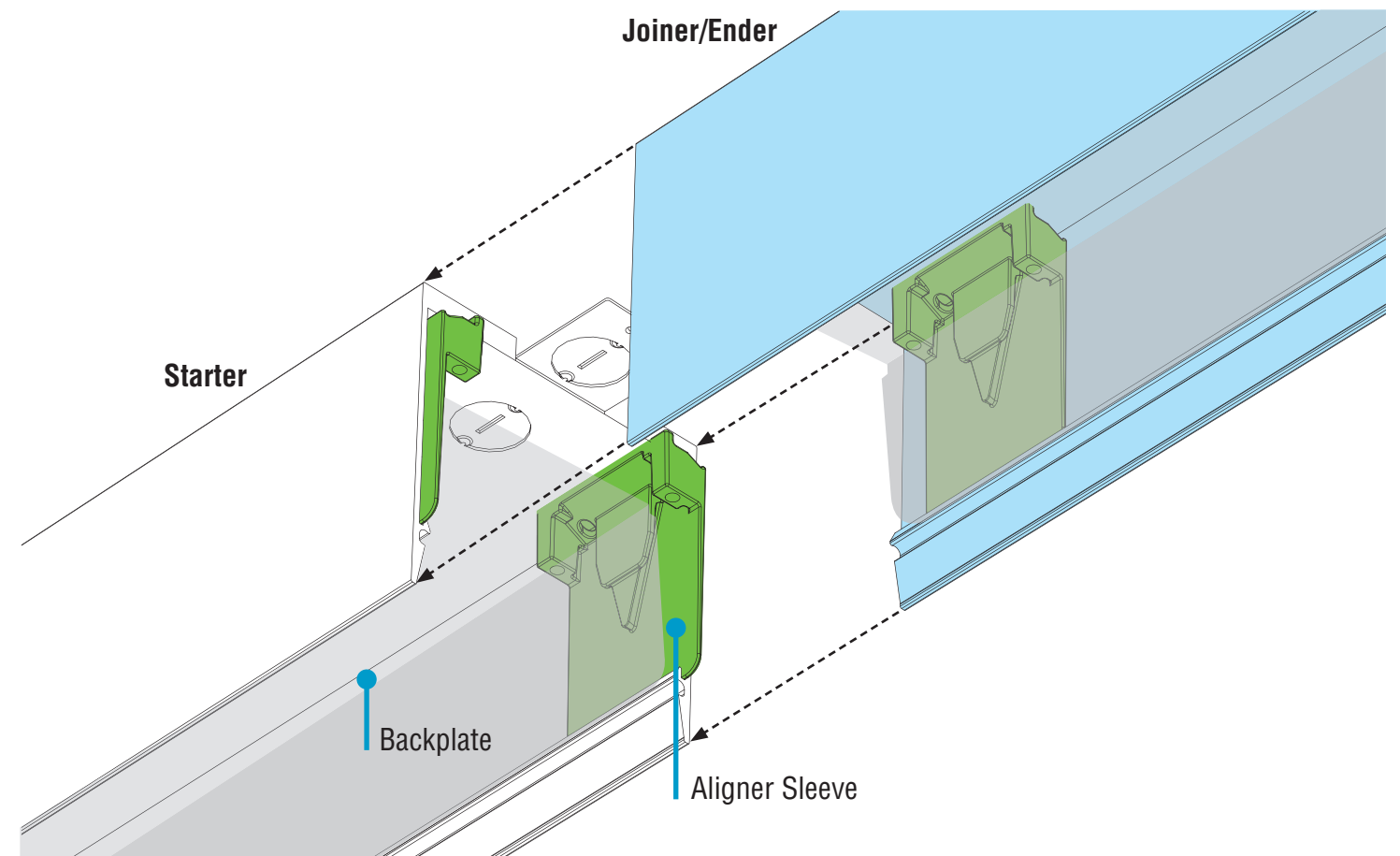
- For the joiner/ender luminaire, slide canopy appropriate for electrical type onto mounting bolt (anchor bolt or caddy clip bolt).
- Thread the bushing/cable assembly onto mounting bolt.
- Attach grippers onto threaded studs found on end plates of joiner/ender.
- While properly supporting luminaire, maneuver luminaire to ceiling.
- Depress the top of the gripper to feed the aircraft cable through and lead into the feed hole.

B. Join Luminaires



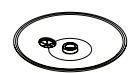
CAUTION

Once luminaires are aligned together, **joiner luminaire is not yet secure.** Ensure it does not slide off as it rests on the starter luminaire.

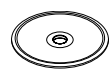


- Align joiner with aligner sleeves on starter and slide together. Be careful not to damage any wiring.
- If necessary, **lift** both luminaires, then slide together.

Mounting Option 1 (shown)



3-1/2" Canopy (provided)

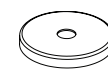


2" T-Bar Support Canopy (provided)

Mounting Option 2



5" Canopy (provided)



2" Drywall Support Canopy (provided)



Slip Ring w/ Set Screw (provided)



Bushing/Cable Assembly (provided)



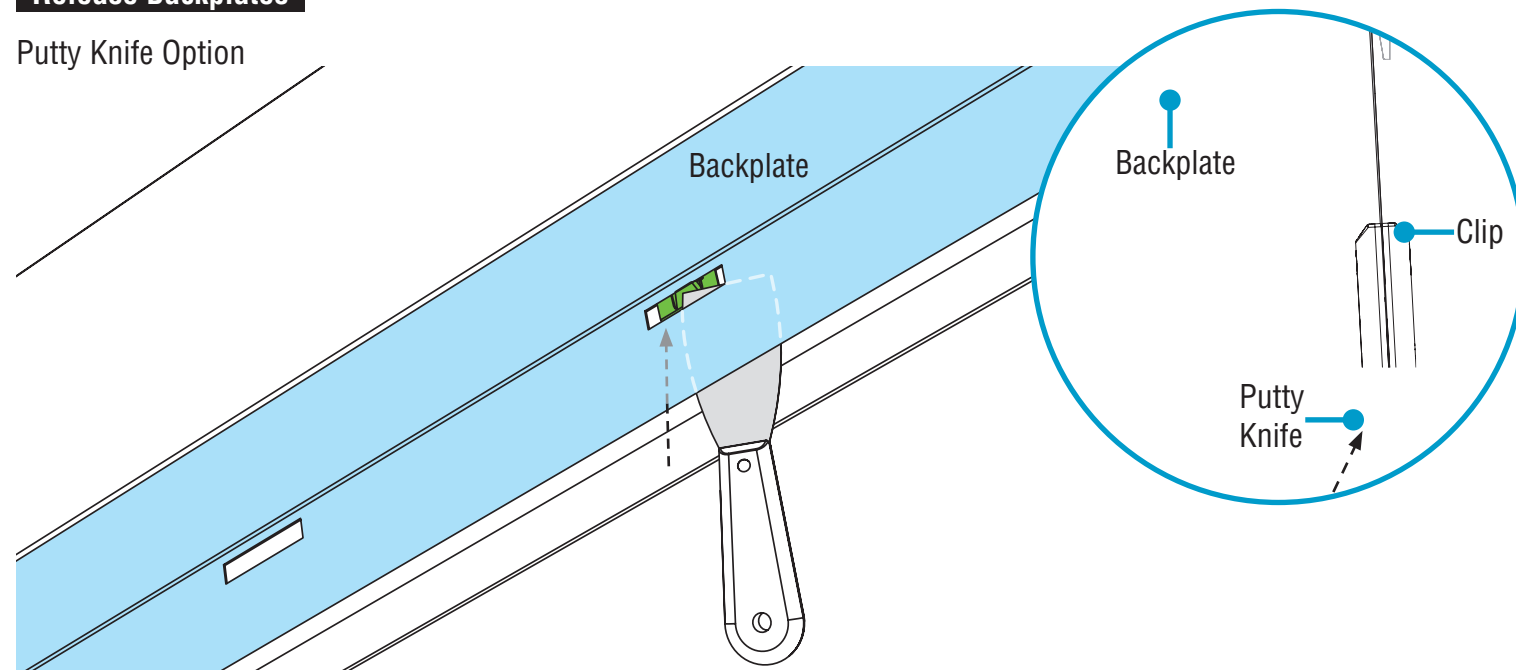
Gripper (provided)

HP-2 / HP-6 Direct Installation Instructions

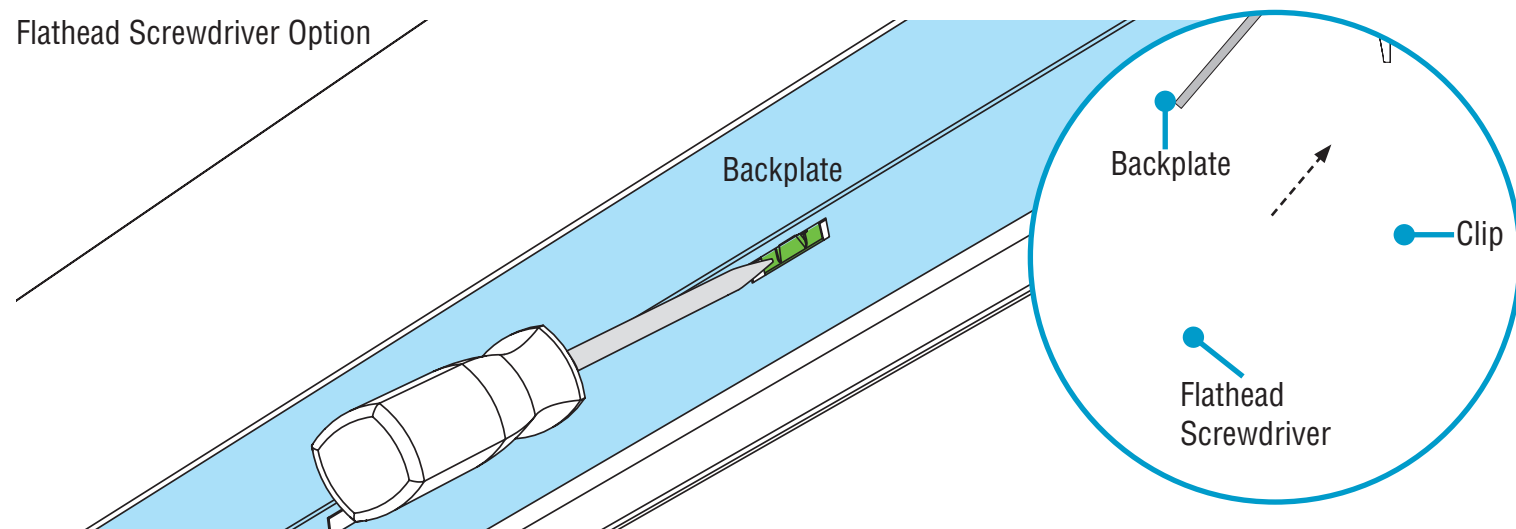
Step 5 - Opening Luminaires

Release Backplates

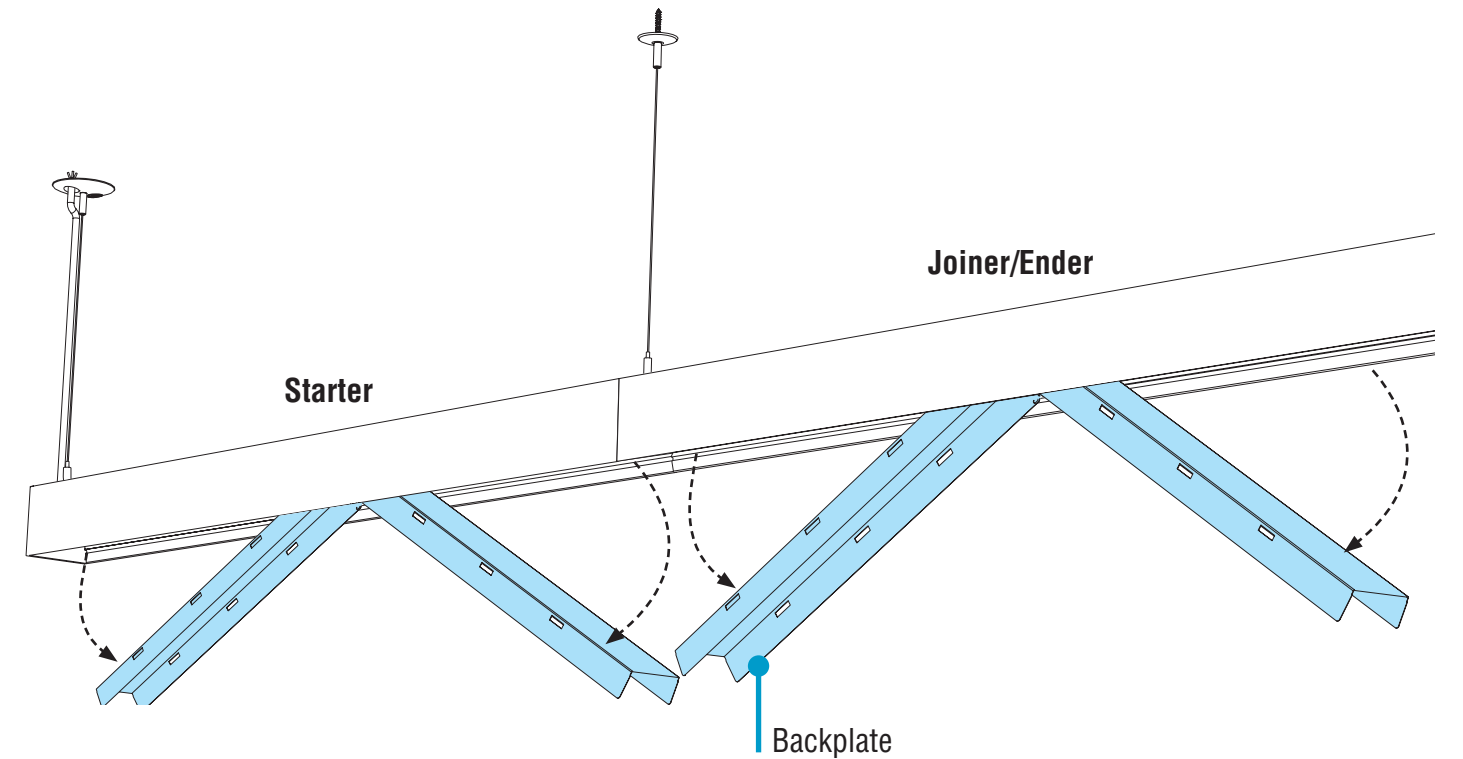
Putty Knife Option



Flathead Screwdriver Option



- **NOTE:** For independent luminaires, backplates do not need to be released.
- Release the backplates from clips by sliding the blade of a putty knife behind backplate edges.
- To use a flathead screwdriver, press end of screwdriver (from inside the luminaire) against the clip, until the backplate is released.



- Carefully rotate all backplates out and let them hang from luminaire body.

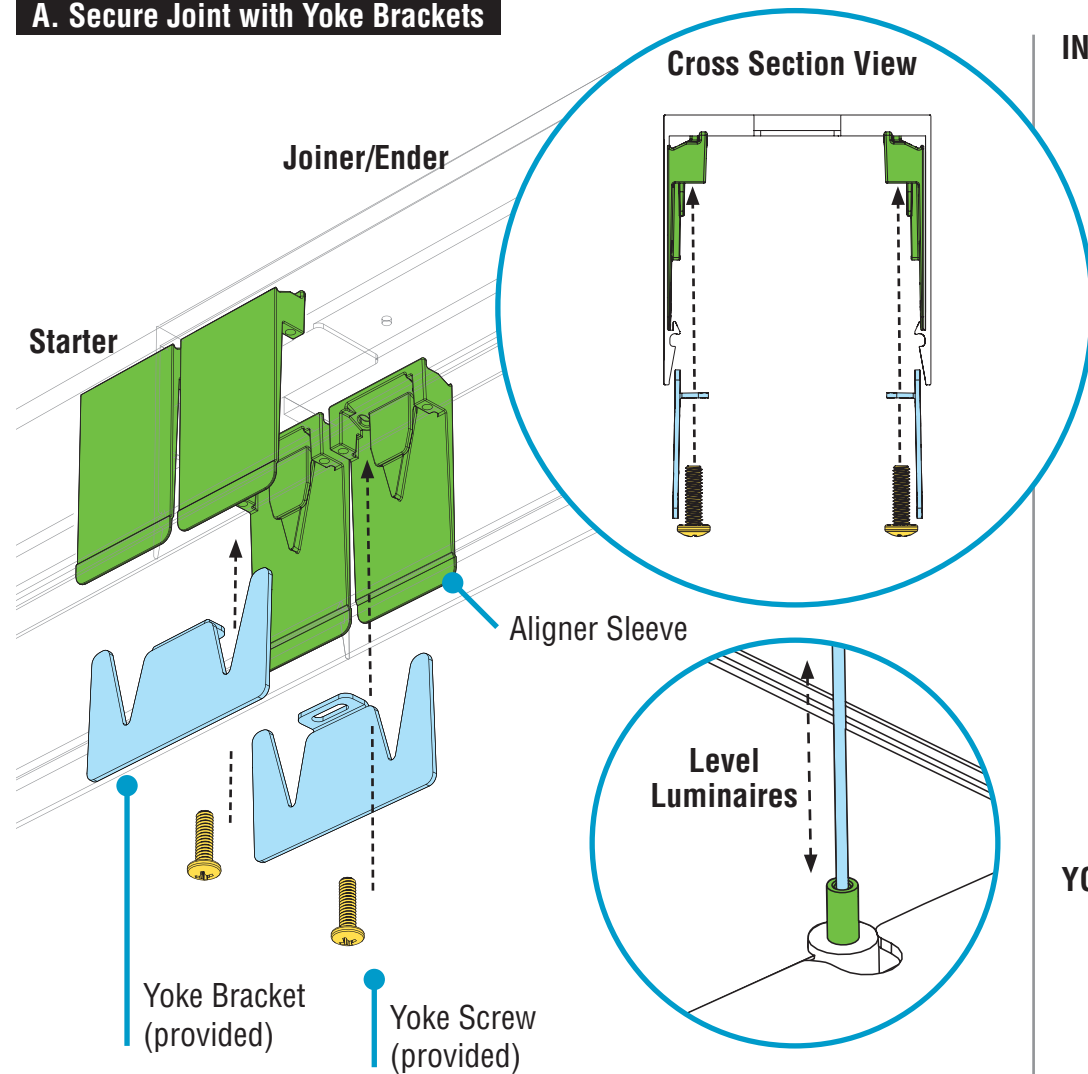


Effortless
Access

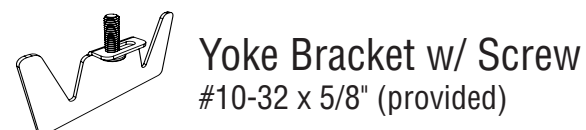
HP-2 / HP-6 Direct Installation Instructions

Step 6 - Securing Luminaire Joints

A. Secure Joint with Yoke Brackets

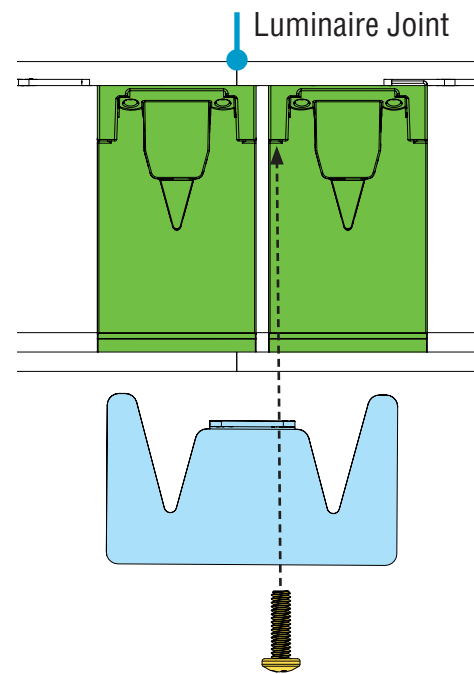


- **FOR SENSOR:** If luminaire contains a sensor at joint, refer to page 4 of Sensor Addendum before Securing Luminaire Joints.
- Before installing yoke brackets, ensure the joining ends of luminaires meet flush and square.
- **CRITICAL:** Ensure yoke brackets properly engage with aligner sleeves.
- Secure joint by threading (but not yet tightening) yoke screws through yoke brackets and into the aligner sleeves.
- Level all luminaires to desired height by depressing top of grippers to adjust cable lengths.
- Tighten yoke screws¹ until joint seam of luminaires is closed.

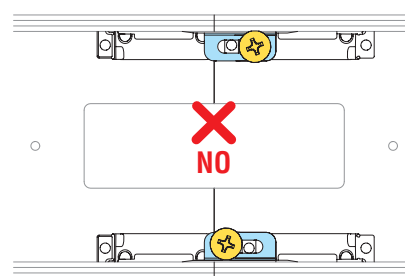


¹ Screwdriver with 6° bit required.

IN ALIGNMENT

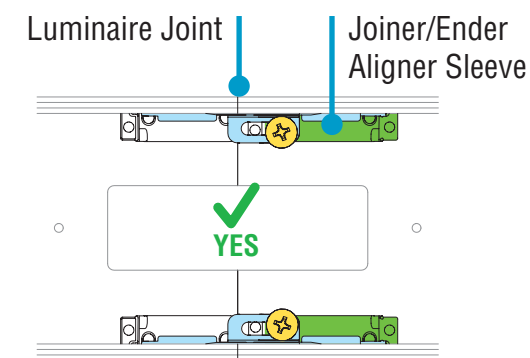
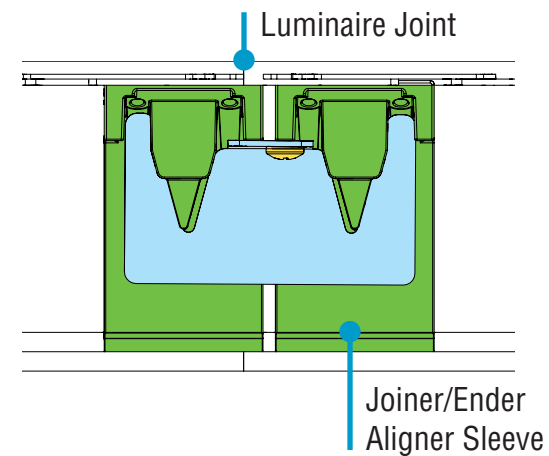


YOKE SCREW ALIGNMENT Bottom Up View

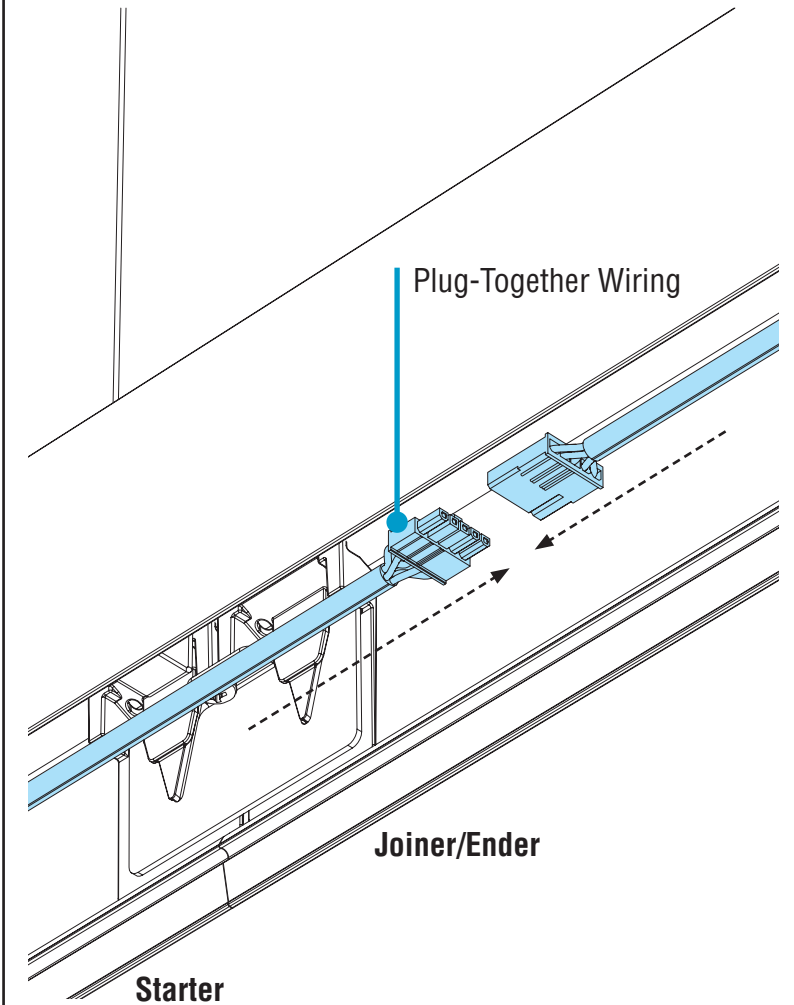


NOTE: Yoke screws should be installed directly across from each other, not diagonally, and in holes furthest from the joint line. One yoke screw per one yoke bracket.

CORRECTLY INSTALLED



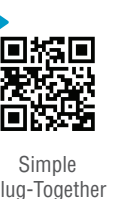
B. Make Electrical Connections



- Connect plug-together wiring.



Universal & Robust Joints

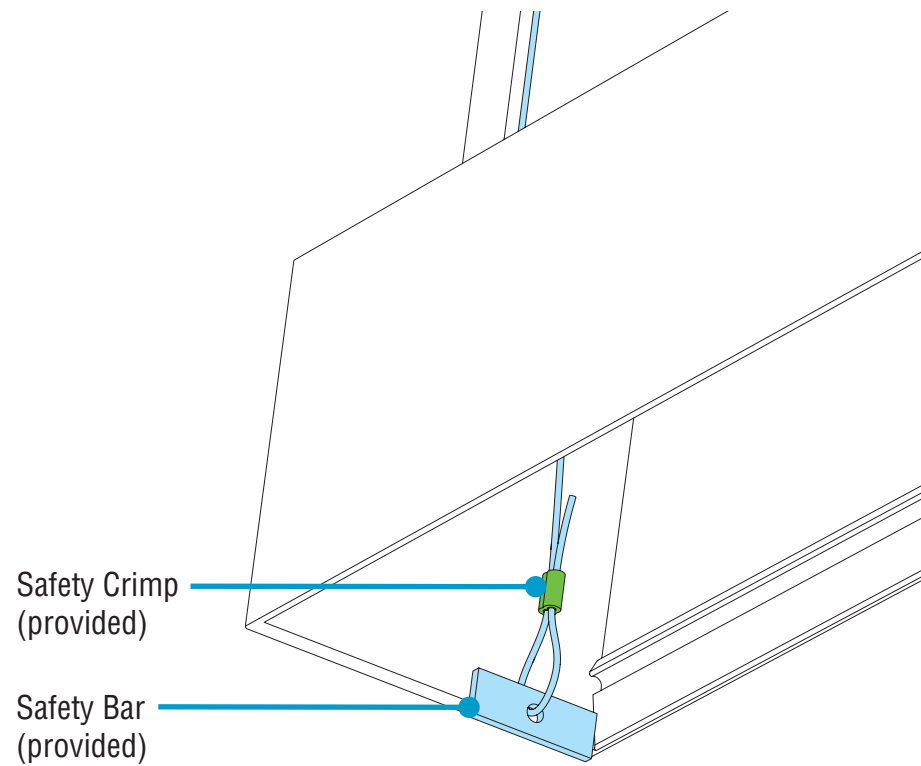


Simple Plug-Together Wiring

HP-2 / HP-6 Direct Installation Instructions

Step 7 - Closing Luminaires

A. Crimp Cables

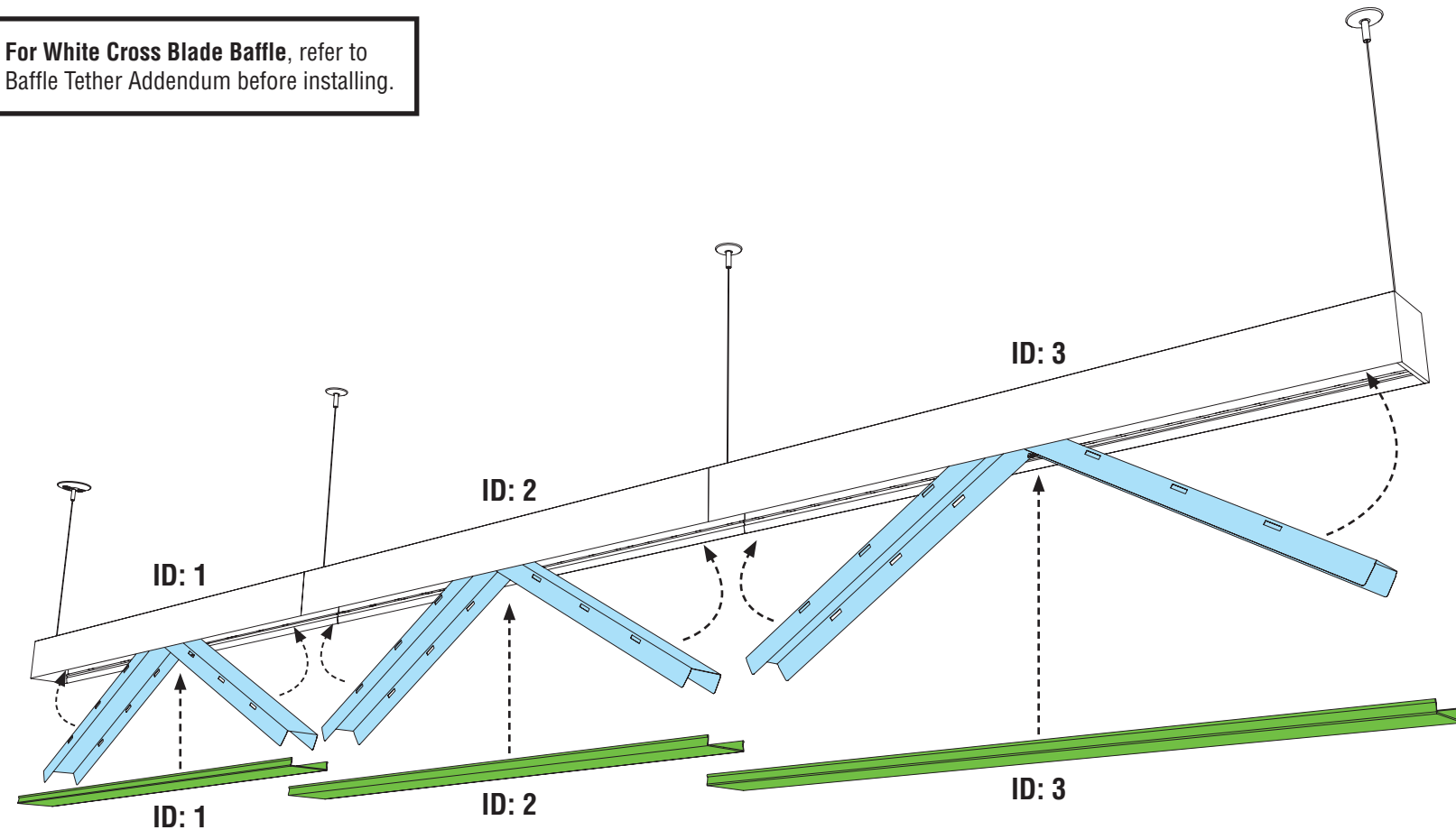


- If backplate is not already open at suspension point, then release backplate first. **SEE STEP 5**
- Run excess cable through feed hole.
- Loop cable through safety crimp and safety bar, then back through safety crimp.
- Crimp, then cut excess cable.
- Tuck safety loop inside luminaire.



B. Final Step - Replace Backplates & Diffusers or Louvers

NOTE: For White Cross Blade Baffle, refer to Baffle Tether Addendum before installing.



- **NOTE:** If your installation includes a battery backup, please see addendum (98333) that should be included with your kitting package.
- **FOR SENSOR:** If luminaire contains a sensor at joint, refer to page 5 of Sensor Addendum before Closing Luminaires.
- Reinstall any open backplates by rotating into luminaire body and snapping back into clips.
- Remove diffusers or louvers from protective plastic bags.
- **CAUTION:** Wear gloves to keep diffuser or louver surface clean.
- **CRITICAL:** Be sure to install correct diffuser or louver to its corresponding luminaire ID.
- **NOTE:** For White Cross Blade Baffle, refer to Baffle Tether Addendum before installing.
- Install diffuser or louver into luminaire body, ensuring it snaps into place.
- Turn power on to luminaires.