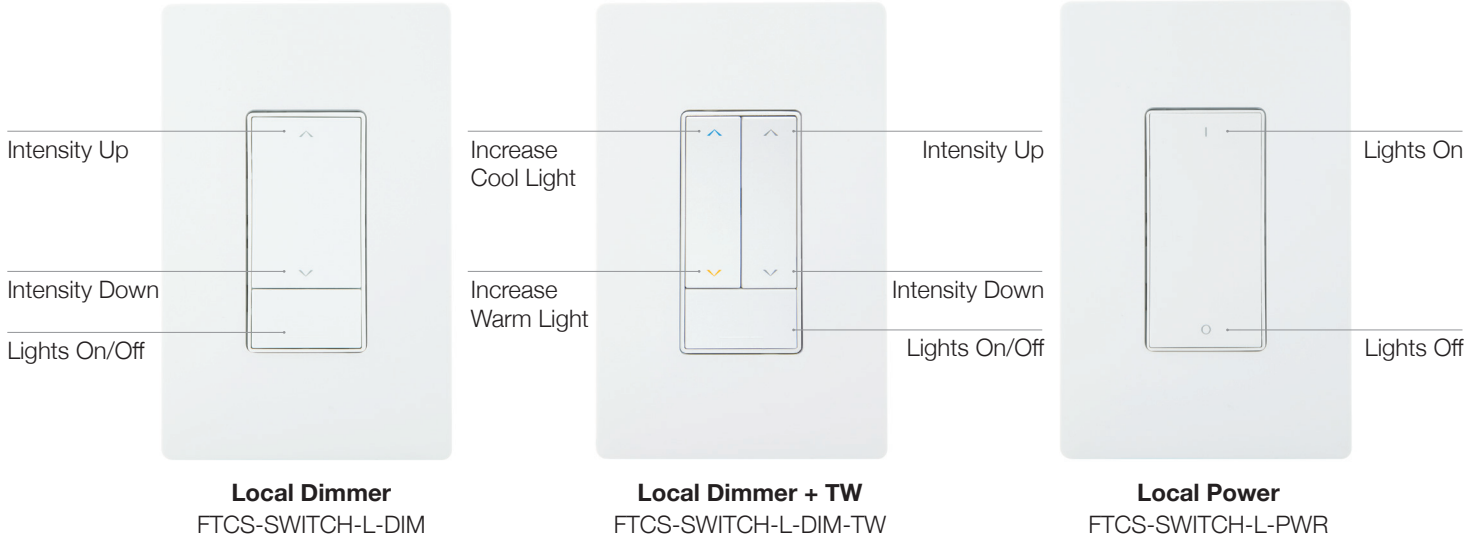


Local and Master Switches

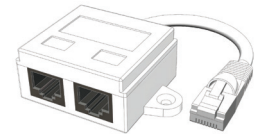
Local Switches



Product Information

Local Switches control only the Layer Pack they are connected to. Plugging into a Layer Pack's "Switch" port will control the output of that Layer Pack. All switches have two CAT5 ports for daisy chaining to multiple switch locations.

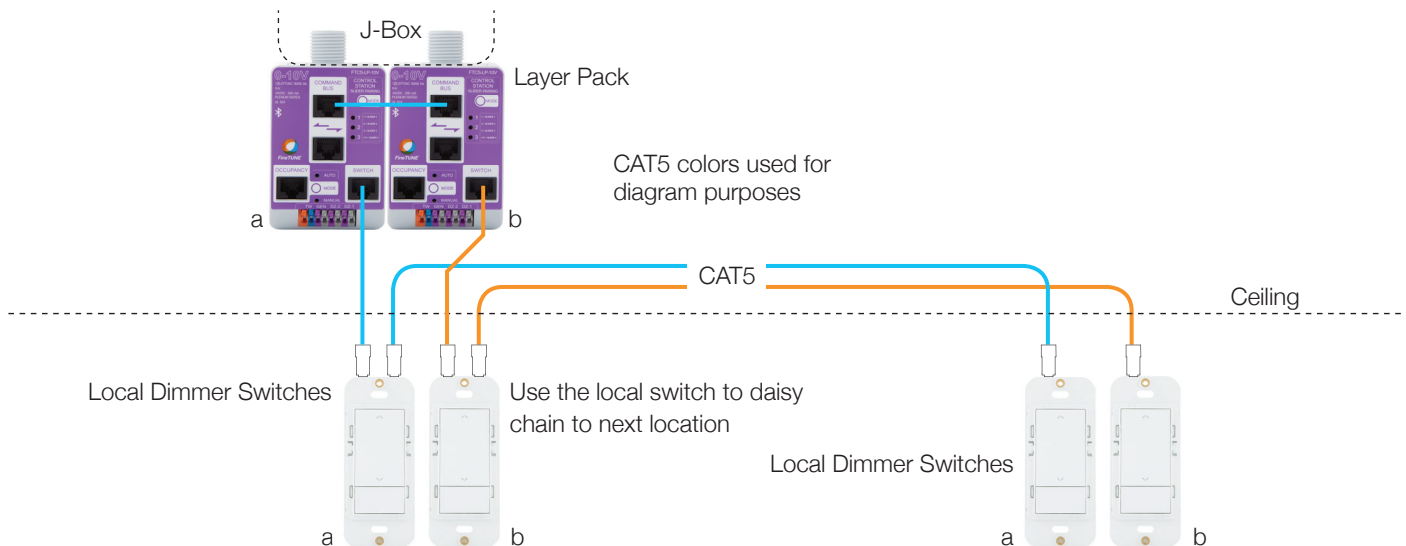
Note: A CAT5 splitter can be used to join Local Switches together at multiple locations to the same Layer Pack.



CAT5 Splitter

Local Switch Diagram

- Two layer installation with dimming layers "a" & "b".
- Connect and daisy chain the Local Dimmer Switches to the Layer Packs controlling the intended switch layer.



Master Switches



Product Information

Master Switches control all the Layer Packs on the same shared BUS. These switches can be connected to the “Switch” port on any Layer Pack or daisy chained to any Local Switch to gain control of all the Layer Packs.

Master TW:

Designed to gain uniform color control of all Layer Packs in a space. Strongly advised to use in conjunction with local dimmers. (See diagram 1)

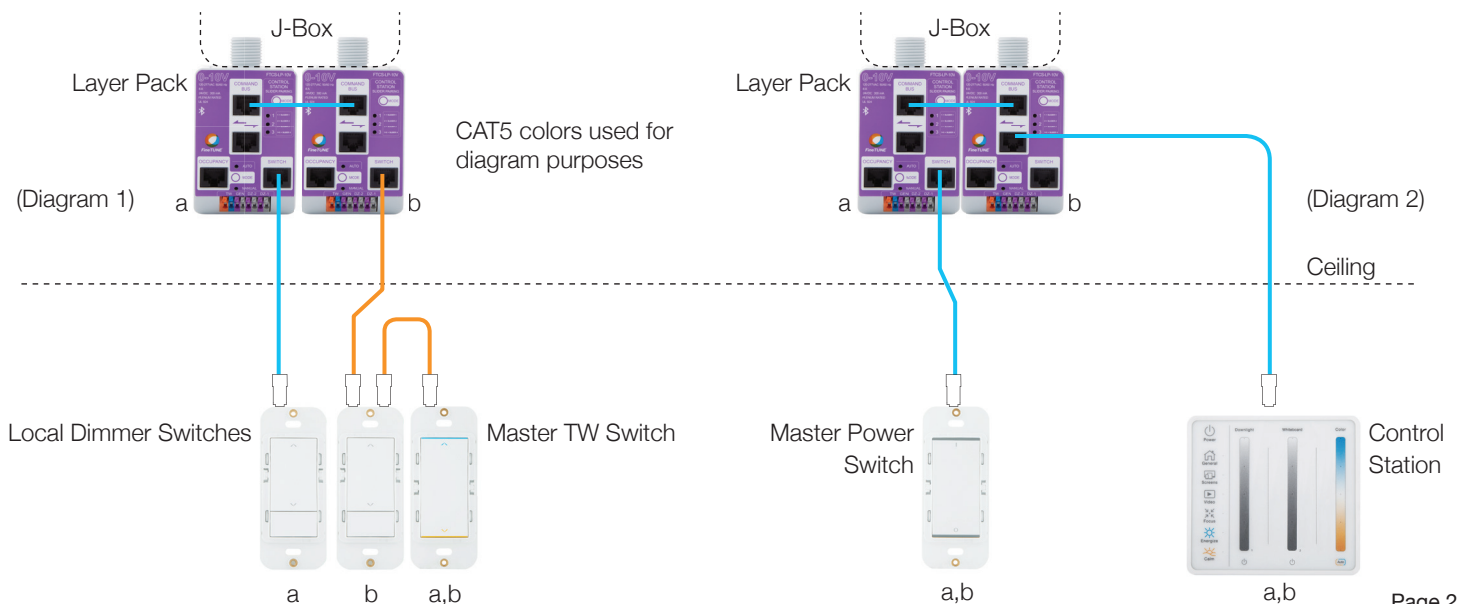
Master Power:

Designed to eliminate large switch gangs near exits by turning all Layer Packs On or Off with one switch. Ideal for use with Control Stations. (See diagram 2)

Master Switch Diagram

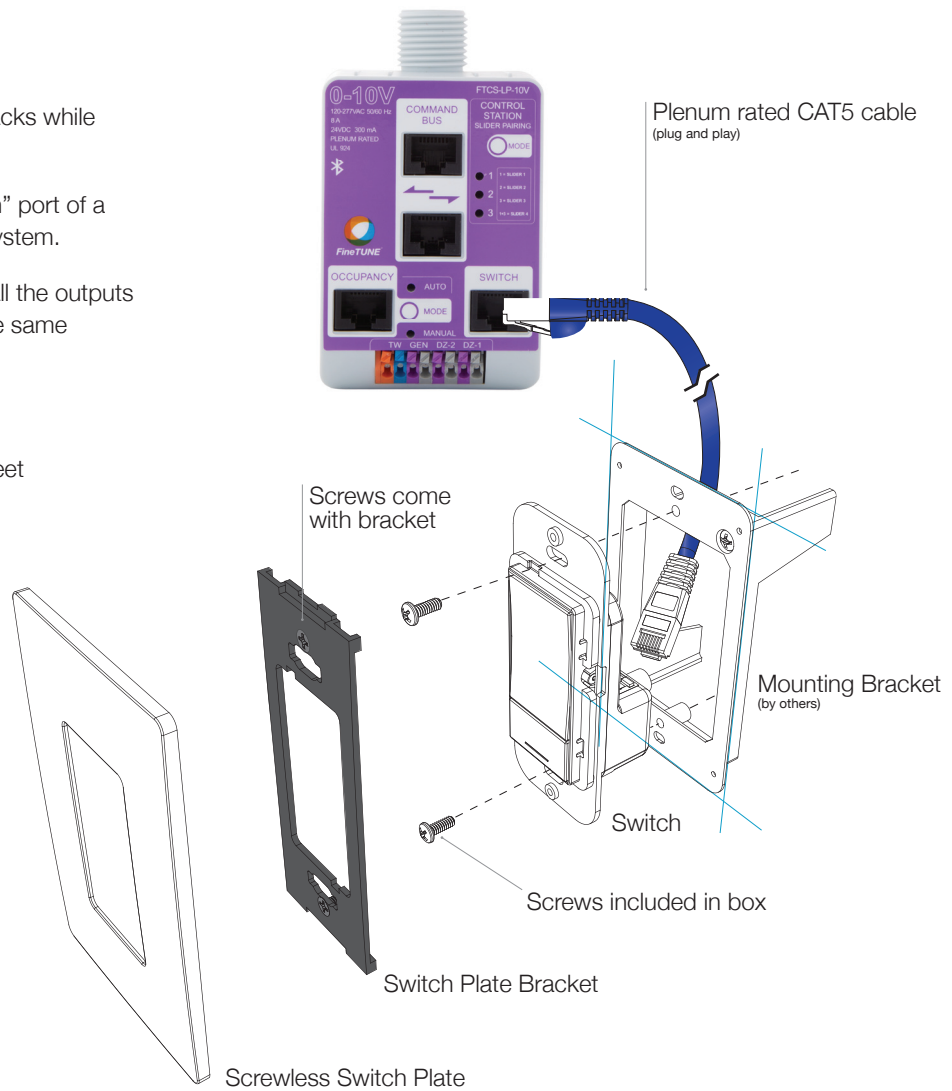
Adding a **Master TW** Switch to a two layer installation.
Use a CAT5 jumper to join to either Local Dimmer Switch.

Adding a **Master Power** Switch to a two layer installation with a Control Station. Using CAT5, connect to any Layer Pack’s “Switch” port.



Switch Mounting

- Switches may be plugged into Layer Packs while Layer Packs are energized.
- Using CAT5 cable, plug into the “Switch” port of a Layer Pack to join a switch run to the system.
- Plugging into a Layer Pack will control all the outputs together (GEN, DZ1, and DZ2 are all the same switching zone).
- Fits to standard switch plates.
- Cable connections not to exceed 600 feet between two connection points.



Switches

Dimmer switch shown



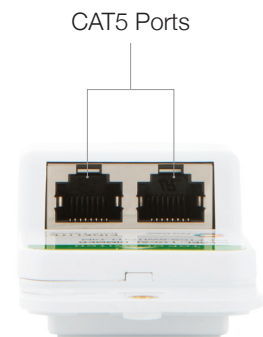
Front



Back



Isometric



Top

Ordering Information

Component	Ordering Code	Description
	FTCS-SWITCH-L-DIM	Local Dimmer Switch — Digital Switch / Low voltage Controls the power and intensity of a Layer Pack • Switch plate not included
	FTCS-SWITCH-L-DIM-TW	Local Dimmer + TW Switch — Digital Switch / Low voltage Controls the power, intensity & Tunable White light of a Layer Pack • Switch plate not included
	FTCS-SWITCH-L-PWR	Local Power Switch — Digital Switch / Low voltage Turns a Layer Pack On & Off • Switch plate not included
	FTCS-SWITCH-M-TW	Master TW Switch — Digital Switch / Low voltage Adjusts all Layer Packs Tunable White light on the same BUS • Switch plate not included
	FTCS-SWITCH-M-PWR	Master Power Switch — Digital Switch / Low voltage Turns all Layer Packs On & Off on the same BUS • Switch plate not included
	FTCS-SP-1G-W	Radiant Screwless Switch Plate — One-Gang / White Modern low profile design Download Legrand One-Gang Tech Sheet 
	FTCS-SP-2G-W	Radiant Screwless Switch Plate — Two-Gang / White Modern low profile design Download Legrand Two-Gang Tech Sheet 
	FTCS-SP-3G-W	Radiant Screwless Switch Plate — Three-Gang / White Modern low profile design Download Legrand Three-Gang Tech Sheet 
	FTCS-SP-4G-W	Radiant Screwless Switch Plate — Four-Gang / White Modern low profile design Download Legrand Four-Gang Tech Sheet 