

Specifications

- Low Voltage Devices
- 5 Year Warranty

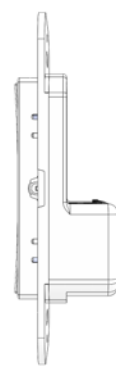
2 x Phillips/Slotted Screws
No. 2 6-32 x 1/2"

See the back of the switch for specific model information

Visit our website for more information:
finelite.com/products/finetune-tcs



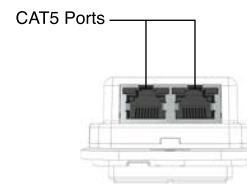
Front



Side

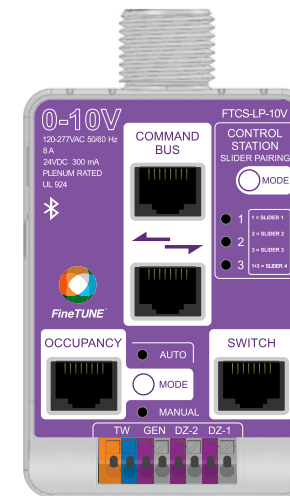


Back



Top

Mounting



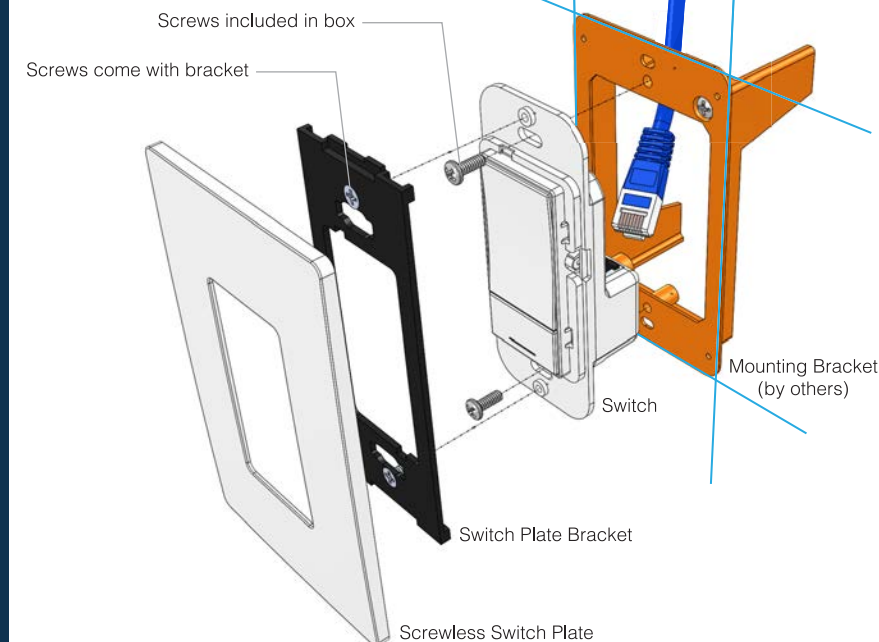
0-10V Layer Pack

- Switches may be plugged into Layer Packs while Layer Packs are energized.
- Using CAT5 cable, plug into the "SWITCH" port of a Layer Pack to join a switch run to the system.
- Plugging into a Layer Pack will control all the outputs together (GEN, DZ1, and DZ2 are all the same switching zone).
- Fits to standard switch plates.
- Cable connections not to exceed 600 feet.



Once the connections are made, the switch will function

Switch Mounting



Screws included in box
Screws come with bracket

Mounting Bracket (by others)

Screwless Switch Plate

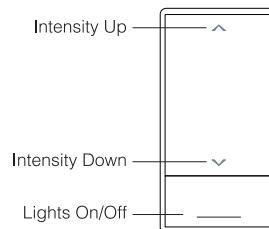
Local Switches

Local Switches are the most common switch type with the Finetune system.

These switches only control the Layer Pack (Controller) that they are directly connected to.

Simply match the switch to the intended controller and it will control the fixtures immediately.

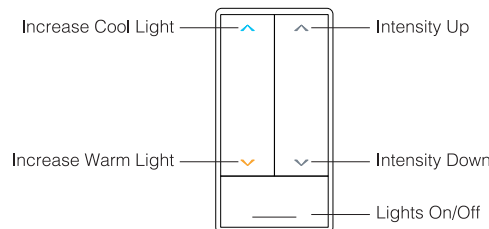
Dimmer



FTCS-SWITCH-L-DIM

L = Local Switch

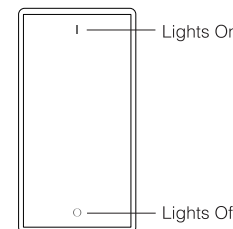
TW + Dim



FTCS-SWITCH-L-DIM-TW

Note: Light fixtures must have Tunable White capabilities

Power



FTCS-SWITCH-L-PWR

*No programming required

Master Switches

Master Switches function across all Layer Packs once connected to the system.

These switches can be daisy chained to an adjacent switch or connected to a Layer Pack.

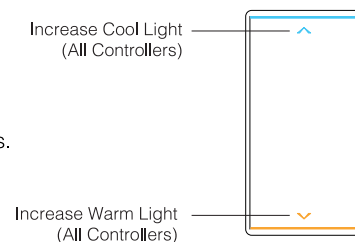
Master Switches can be added throughout any switch run to achieve master control. One Master Switch will control multiple Layer Packs.

Primary Uses:

M-TW
Used to gain uniform color throughout a space.

M-PWR
Place by doors to avoid placing whole switch banks.

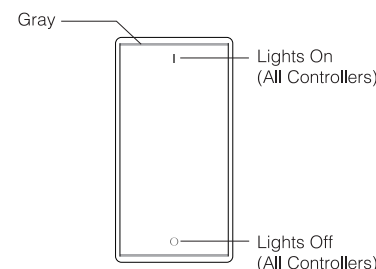
TW



FTCS-SWITCH-M-TW

Note: Light fixtures must have Tunable White capabilities

Power



FTCS-SWITCH-M-PWR

M = Master Switch

*No programming required

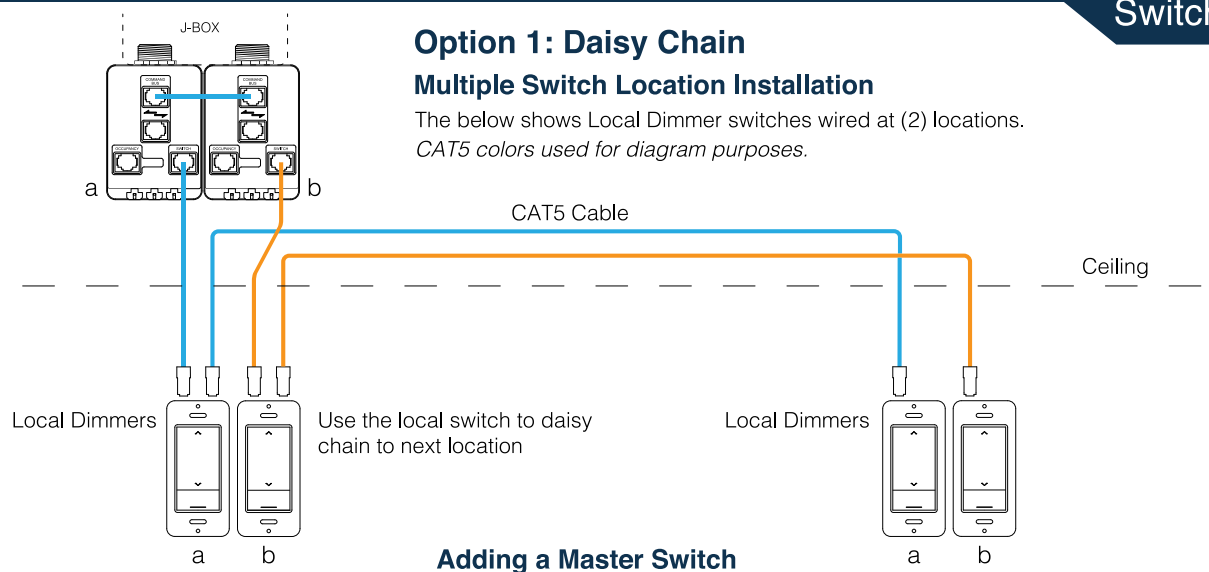
*Finelite provides Legrand Radiant screwless switch plates (shown in image)

Switch Topology

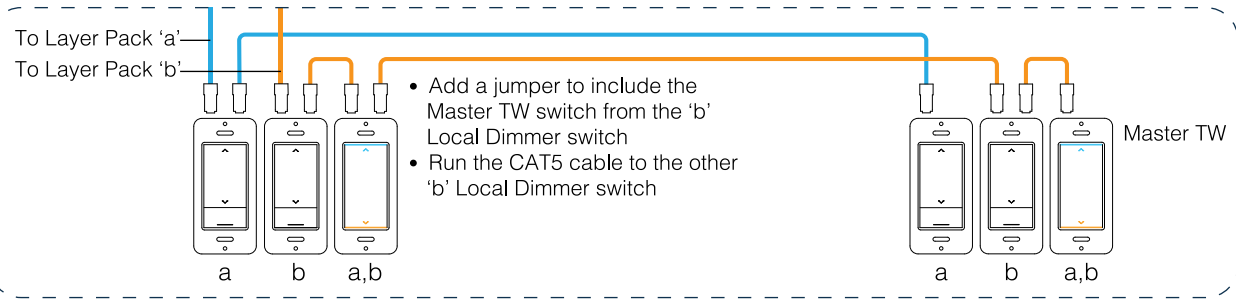
Option 1: Daisy Chain

Multiple Switch Location Installation

The below shows Local Dimmer switches wired at (2) locations. CAT5 colors used for diagram purposes.



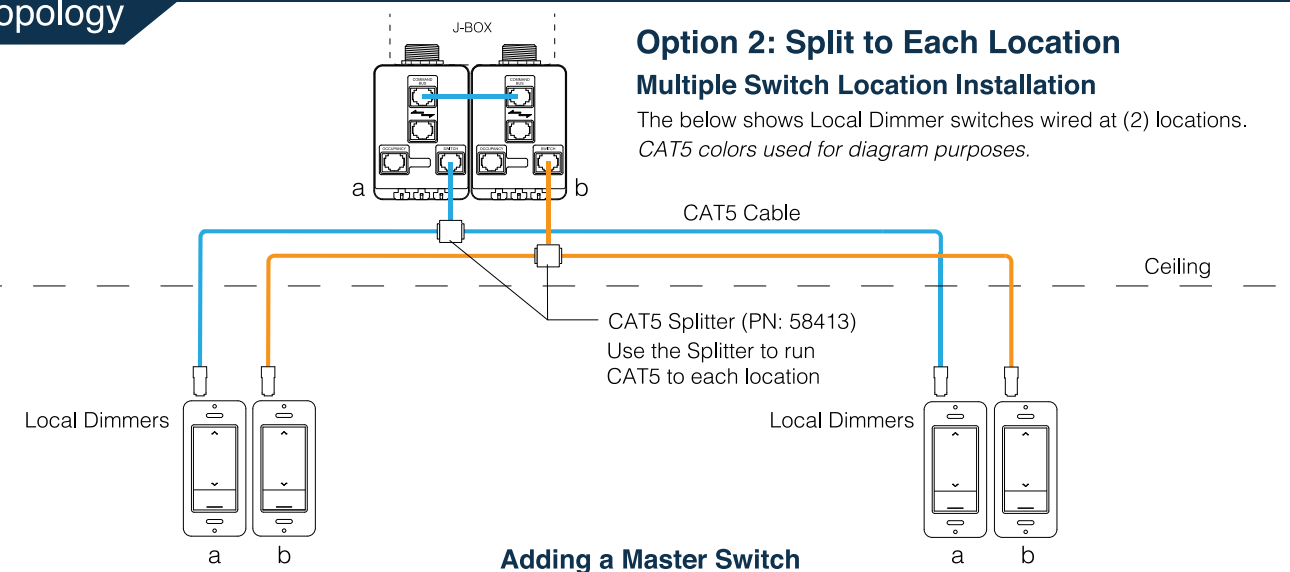
Adding a Master Switch



Option 2: Split to Each Location

Multiple Switch Location Installation

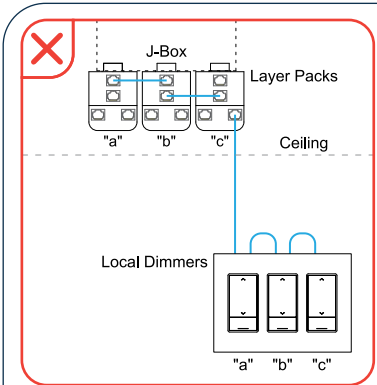
The below shows Local Dimmer switches wired at (2) locations. CAT5 colors used for diagram purposes.



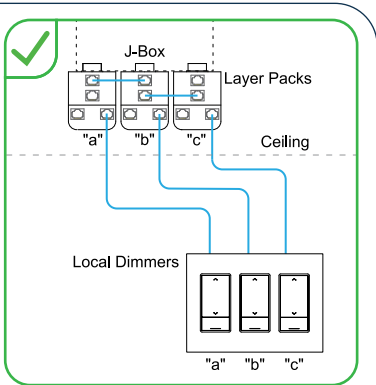
Adding a Master Switch



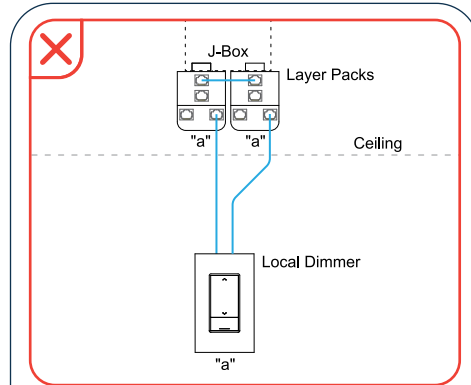
Example Wiring



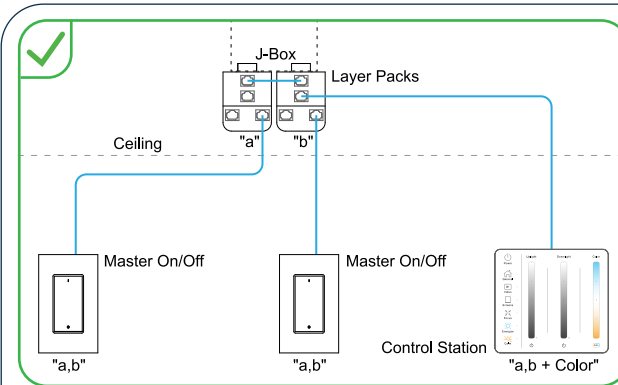
Do not join multiple Local Switches to a single Layer Pack with the intent to control separate zones.



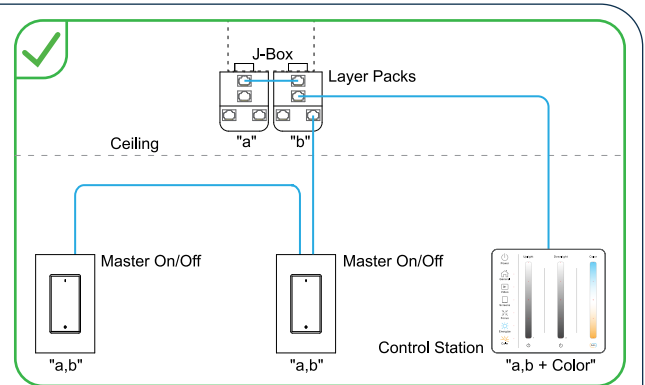
Match each CAT5 cable to the desired switch location to properly control each zone.



Never connect a switch to more than one Layer Pack. Switches shall never loop back into another Layer Pack.



A Master Switch may be plugged into each individual Layer Pack. Each Master Switch would control all the Layer Packs connected to the same BUS.



A Master Switch may also daisy chain off of another Master Switch or Local Switch and gain control of all Layer Packs on the same BUS.