

Series 16 LED 3E & 4E Fully Adjustable Cable Starter/Independent Installation Instructions

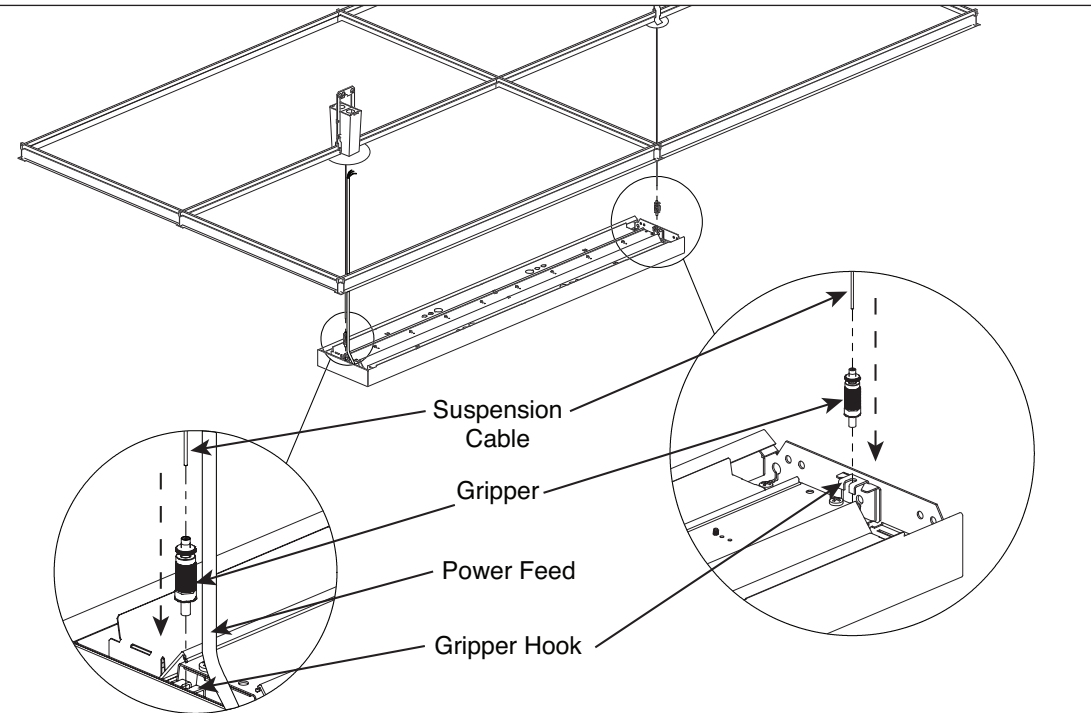
FINELITE®
Better Lighting

Scan QR code for helpful video(s)



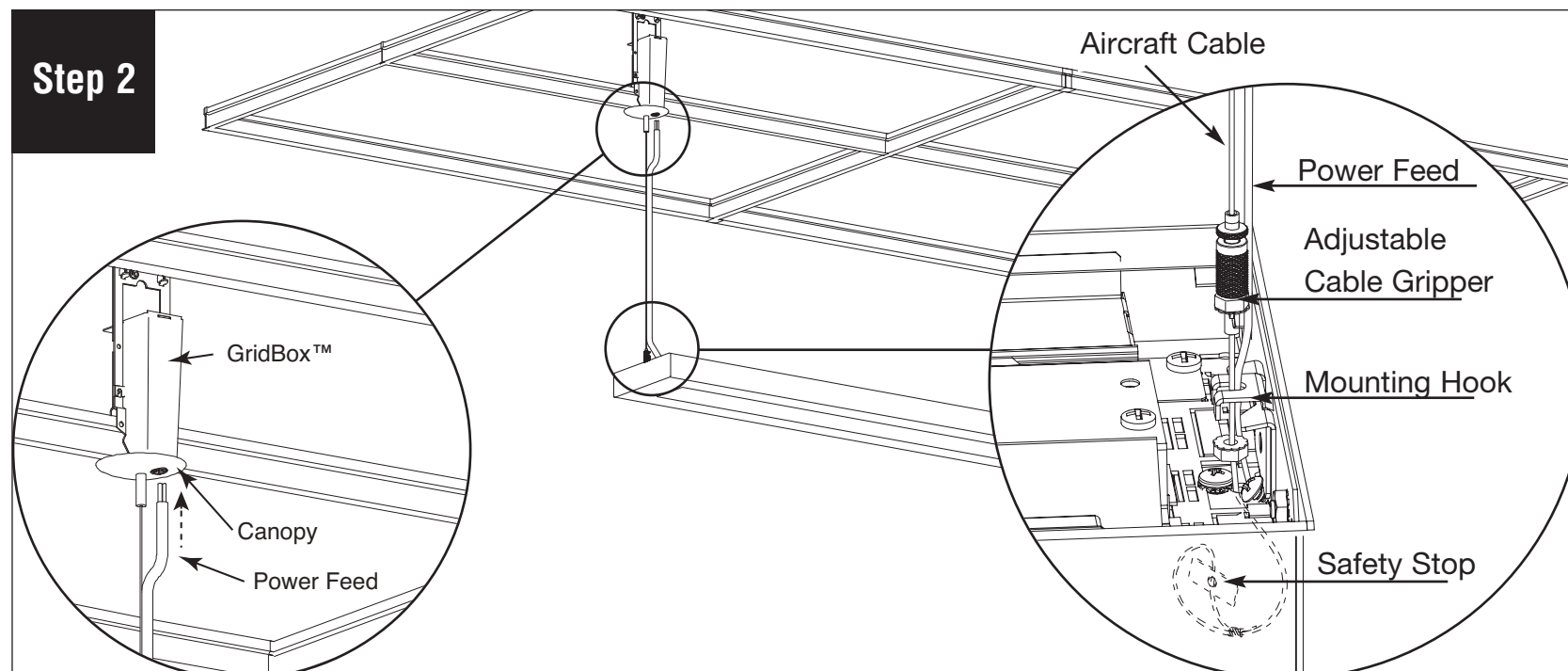
0 - 10V Dimming

Step 1



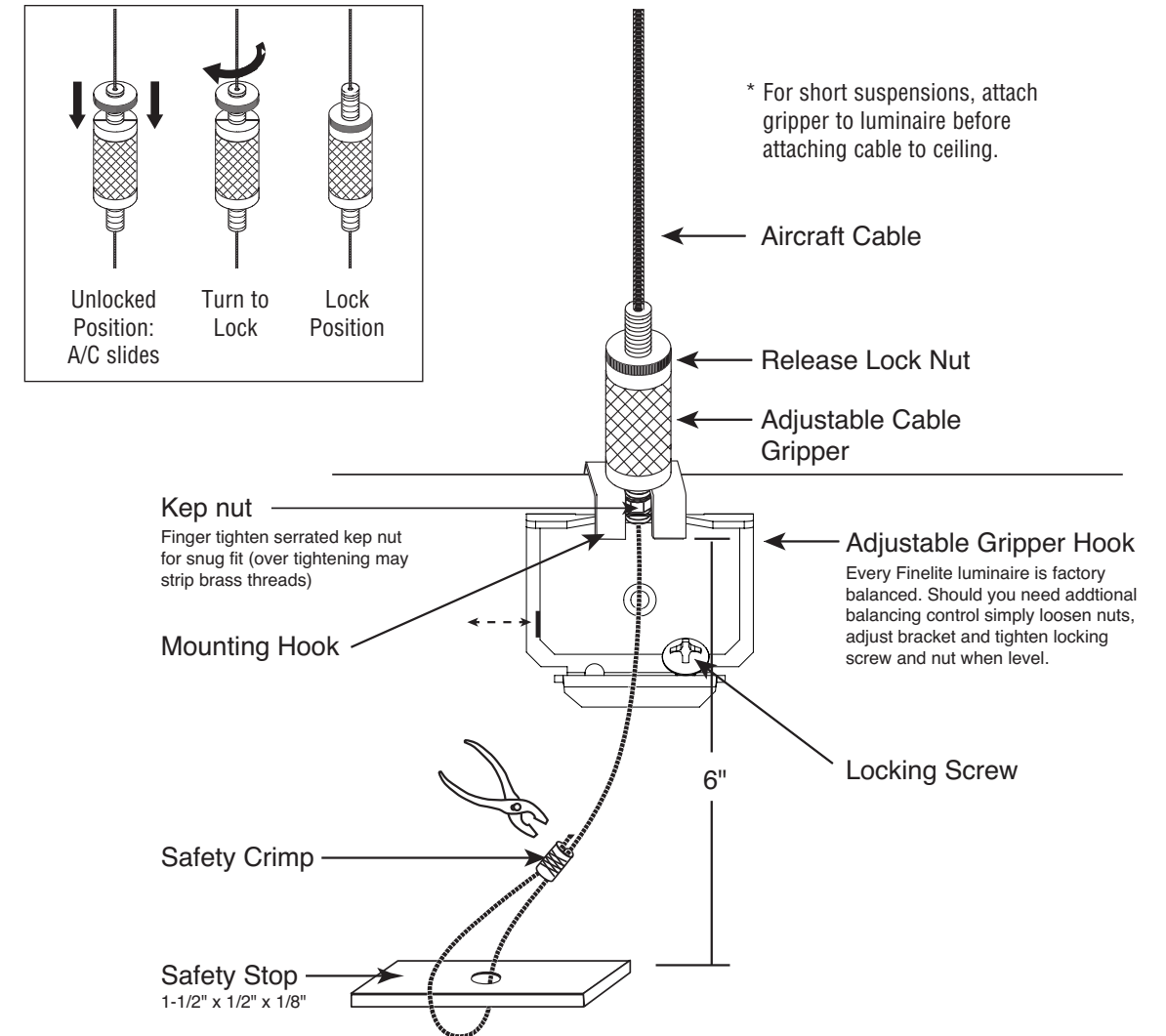
Install cable grippers onto mounting hooks then insert aircraft cables into grippers (see fully adjustable cable gripper assembly for details). Slide safety stop and safety crimp up to the aircraft cable within 6" of cable gripper and secure inside luminaire body.

Step 2



Insert aircraft cables into grippers (see fully adjustable cable gripper assembly for details). Slide safety stop and safety crimp up to the aircraft cable within 6" of cable gripper and secure inside body. Insert power feed through canopy into GridBox (follow GridBox installation instruction for wiring - Form# 98000). Level luminaire and turn power on to luminaire.

Fully Adjustable Cable Gripper Assembly



1. Position the serrated key nut of the adjustable cable gripper assembly under the mounting hooks, rotate up to sit securely on top of hook.
2. Finger-tighten key nut until secure. (Avoid over-tightening.)
3. Depress the release lock nut to adjust the aircraft cable to the correct length to level the luminaire. Screw down release lock nut. Pull excess aircraft cable away from luminaire.
4. Pull all but 9" of cable up through safety stop and safety crimp.
5. Secure safety crimp with crimping tool. Trim off excess cable.
6. Push safety stop, safety crimp and remaining 6" of cable down into luminaire body.

Note: All power connections to be installed to local/national codes by a Certified Electrician.

A brand of **legrand** Finelite, Inc. • 30500 Whipple Road • Union City, CA 94587-1530 • (510) 441-1100 • Fax: (510) 441-1510 • www.finelite.com

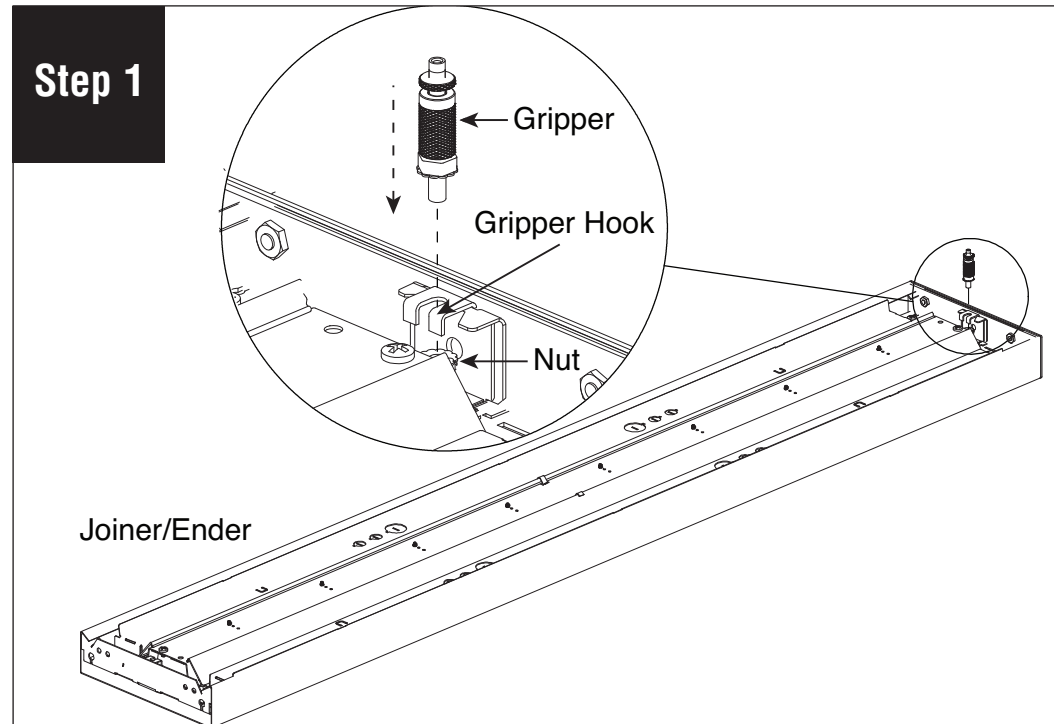
Series 16 LED 3E & 4E Fully Adjustable Cable Joiner/Ender

Installation Instructions

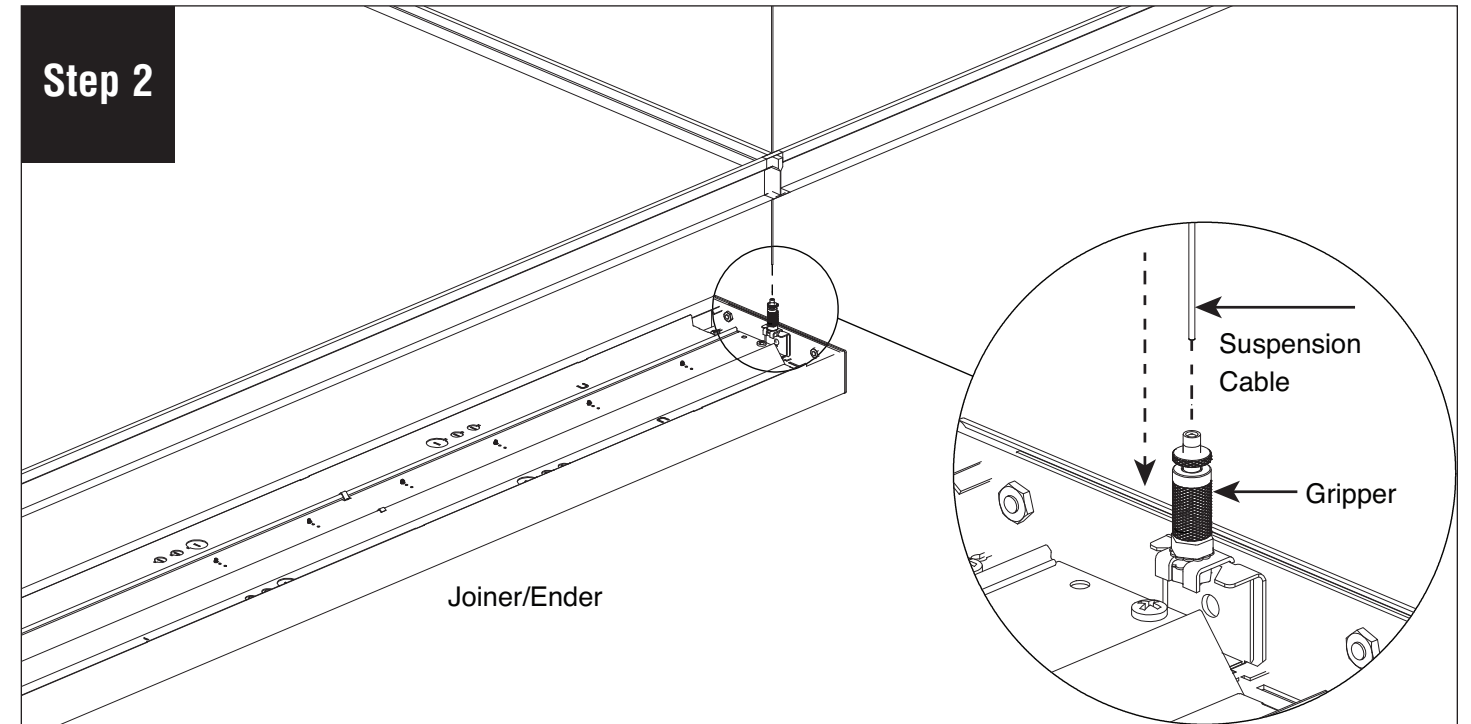
Scan QR code for helpful video(s)



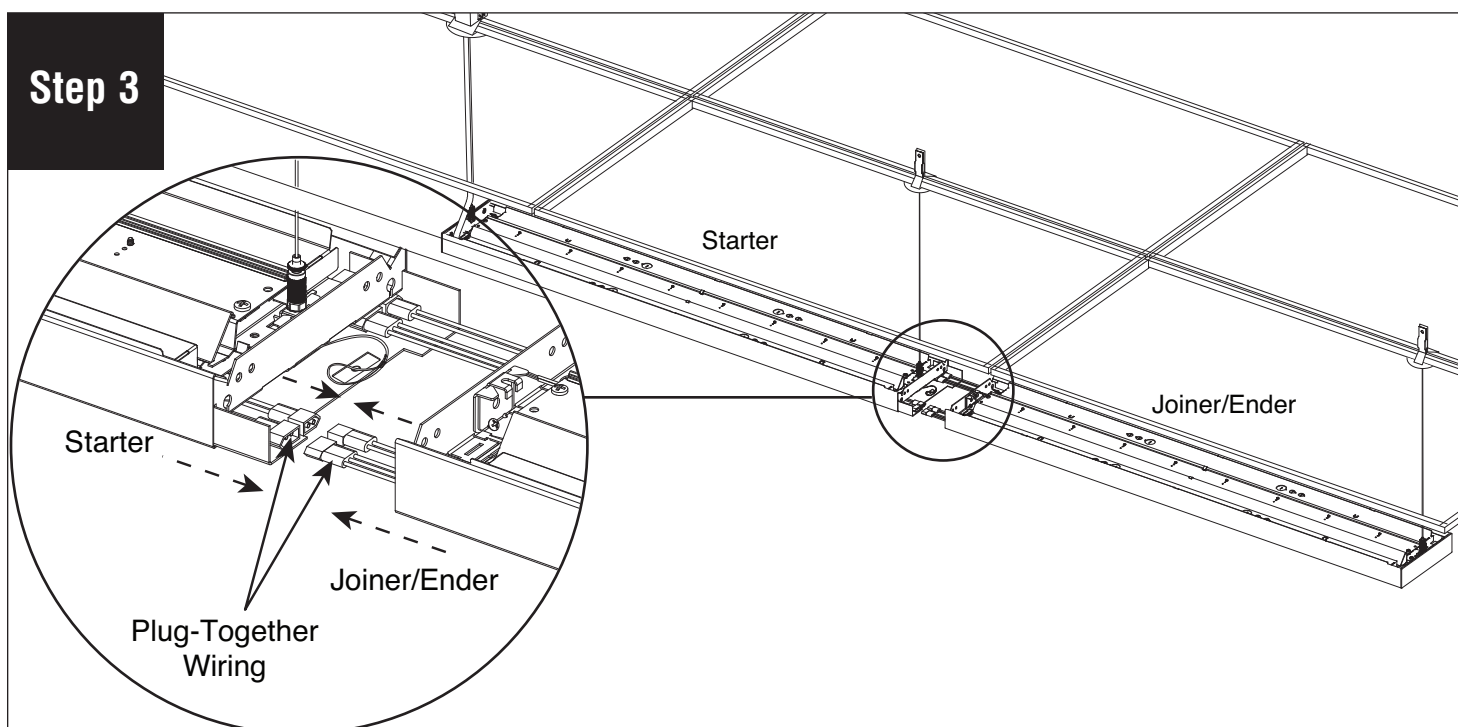
0 - 10V Dimming



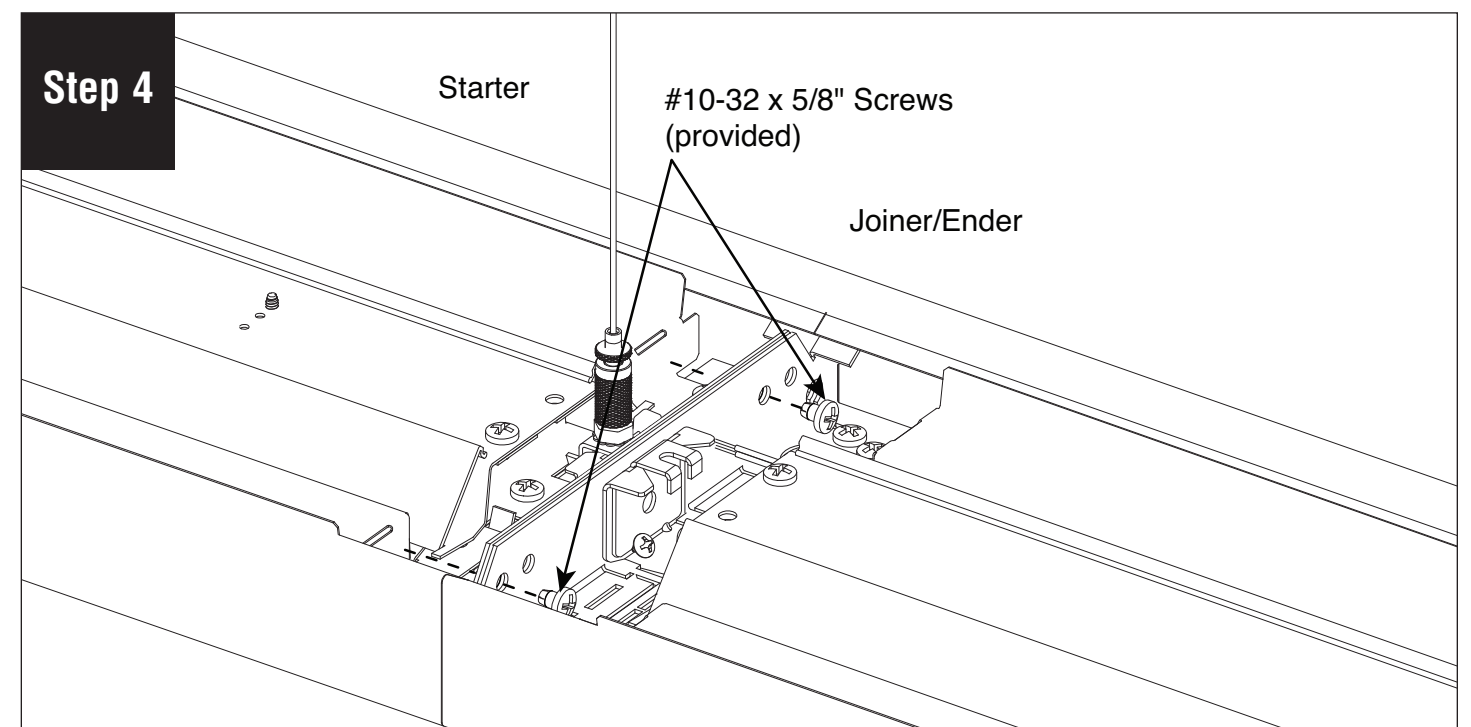
Install gripper onto joiner gripper hook, opposite of joiner end.



Install suspension cable into gripper. Slide safety stop and safety crimp up to the aircraft cable within 6" of cable gripper and secure inside luminaire body.



Connect plug-together wiring, then slide the luminaires together. Be careful not to damage wiring.



Secure joint with #10-32 x 5/8" screws (provided). Level luminaire then turn power on.

Note: All power connections to be installed to local/national codes by a Certified Electrician.